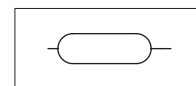



Air-reservoirs

According to Directive 2014/68/EU



Version	Code	Item
5 lt 4 connections	050612	5SBCX4
12 lt 4 connections	050613	12SBCX4
24 lt 4 connections	050614	24SBCX4



 Keep to the use and maintenance manual supplied together with each reservoir.

Series of stainless steel air-reservoirs for compressed air built according to directive 2014/68/EU about equipment under pressure.

Every air-reservoir is supplied with Certificate of Conformity and manual instructions.

For standard items, codes and dimensions see tables from page 5.180.2.

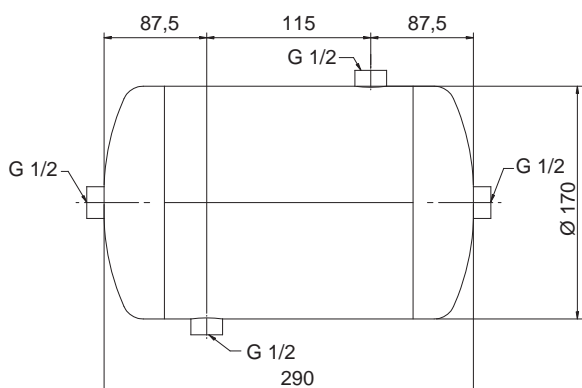
On request, safety valves in stainless steel can be supplied.

  II 2GDc IIC TX

On request, they can be supplied according to 2014/34/EU - ATEX

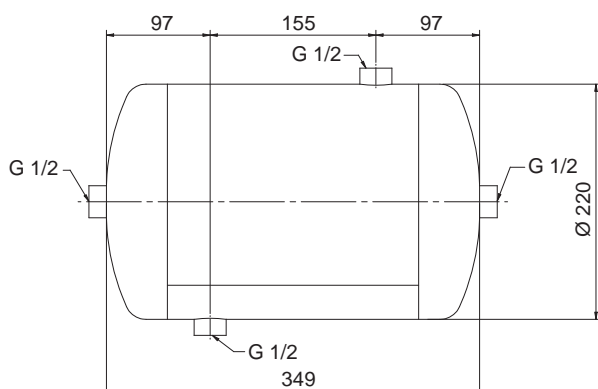
Technical data	
Fluid	Compressed air
Pressure	11 bar max
Hydrostatic test pressure	16,5 bar
Temperature range	-40 °C ÷ +50 °C
Threads	Parallel UNI - ISO 228/1
Materials	Stainless Steel AISI 304 polished

Type: **5SBCX4**



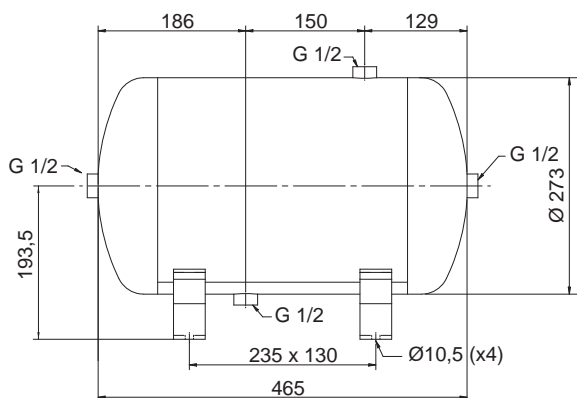
Code	Item	N° connections
050612	5SBCX4	4

Type: **12SBCX4**



Code	Item	N° connections
050613	12SBCX4	4

Type: **24SBCX4**



Code	Item	N° connections
050614	24SBCX4	4