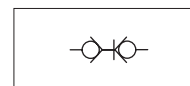


Stainless Steel quick-lock couplings

Series GXA, from DN 6 to DN 25



Version	Code	Item
Coupling 1/4" F, DN 6	570836	GXA1014F
Plug 1/4" F, DN 6	570837	GXA2014F
Coupling 3/8" F, DN 9	570838	GXA1038F
Plug 3/8" F, DN 9	570839	GXA2038F
Coupling 1/2" F, DN 13	570840	GXA1012F
Plug 1/2" F, DN 13	570841	GXA2012F
Coupling 3/4" F, DN 19	570842	GXA1034F
Plug 3/4" F, DN 19	570843	GXA2034F
Coupling 1" F, DN 25	570844	GXA1100F
Plug 1" F, DN 25	570845	GXA2100F



Series of stainless steel AISI 316 quick-lock couplings, double shut off.

Conforming to ISO 7241-1 "A" suitable for use in aggressive environments like the chemical field and the food industry.

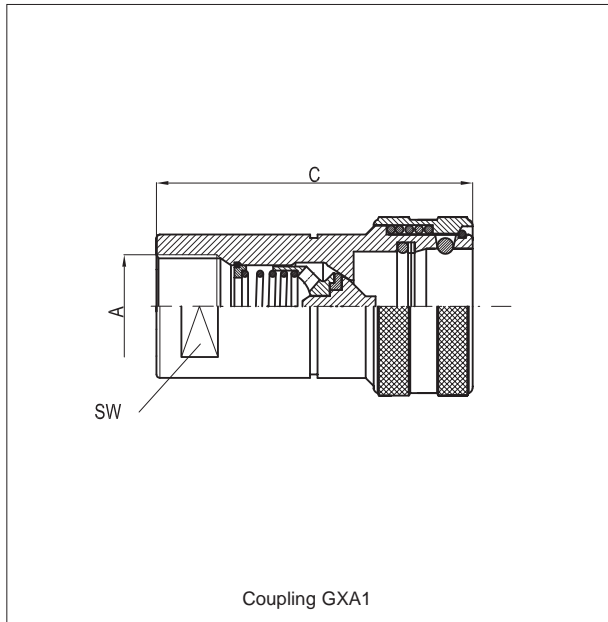
The connection tightness between the coupling and the plug is guaranteed by a series of spheres and this allows a longer life time even when the connections and the disconnections are frequent.

For standard items, codes and dimensions see tables from page 5.170.2.

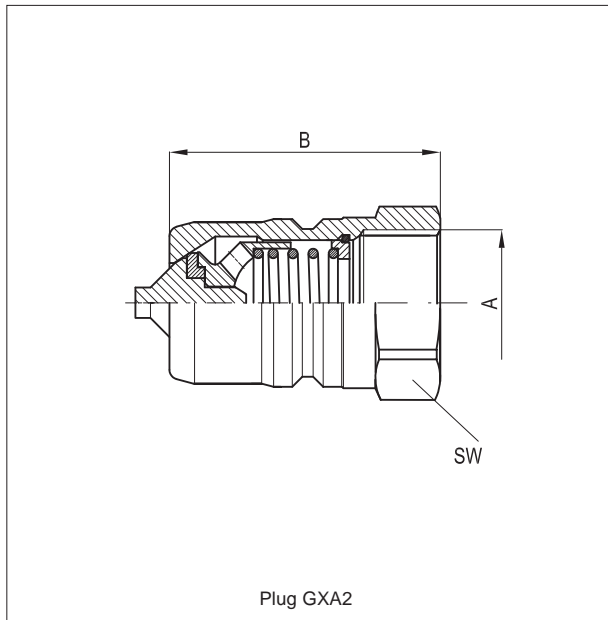
Technical data			
Fluid	Compressed air, gas, acids, fluids		
Pressure	1/4" = 300 bar	3/8"-1/2"-3/4" = 250 bar	1" = 200 bar
Temperature range	-20 °C ÷ +150 °C		
Parallel threads	UNI - ISO 228		
Materials	Coupler body and internal parts, all in stainless steel AISI 316 Seal: FKM		

Stainless Steel quick-lock couplings

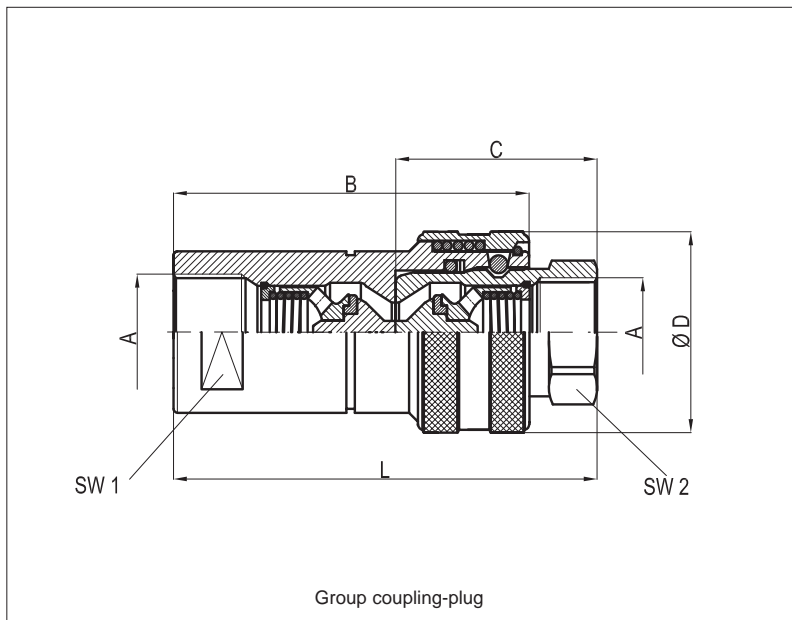
Series GXA, from DN 6 to DN 25



Code	Item	A	C	SW
570836	GXA1014F	1/4"	-	-
570838	GXA1038F	3/8"	-	-
570840	GXA1012F	1/2"	-	-
570842	GXA1034F	3/4"	-	-
570844	GXA1100F	1"	-	-



Code	Item	A	B	SW
570837	GXA2014F	1/4"	-	-
570839	GXA2038F	3/8"	-	-
570841	GXA2012F	1/2"	-	-
570843	GXA2034F	3/4"	-	-
570845	GXA2100F	1"	-	-



A	B	C	D	L	SW ₁	SW ₂
1/4"	50	34	26	70	19	19
3/8"	57	40	30	80	22	22
1/2"	70	46	38	95	27	27
3/4"	81	53,5	48	108	34	32
1"	96	63	54	126	38	41