

Standard executions			
Version	Symbol	Code	Item
Filter-regulator + lubricator		090605	A12FRRLX
Filter-regulator		090602	A12FRRX
Filter		090608	A12FX
Regulator		090611	A12RX
Lubricator		090614	A12LX



**II 2Gc IIC TX**  
**II 2Dc IIC TX**

On request, they can be supplied according to 2014/34/EU - ATEX

Options	Suffix
High pressure (20 ÷ 28 bar)	HP
Filter 40 µm cartridge	40
NPT thread	N
Manual condense drain	H
Automatic condense drain	D
Seals for low temperature -40 ÷ +150°C	BT



Series of modular units in stainless steel AISI 316 suitable for industrial application like: food, medical, chemical, Oil & Gas and mining.

Light weight and compact size for space saving, the air preparation units have the following standard features :

- For high pressure use, corrosion and chemical resistance;
- Good performance in chemical working environments and outdoor facility;
- Suitable for food, medical, chemical, off-shore and mining industry;
- Metallic parts meet NACE Standard MR-01-75;
- The product effectively removes water and particle;
- Accurate and sensitive pressure setting;
- Lubricator oil can be replenished without stopping air supply.

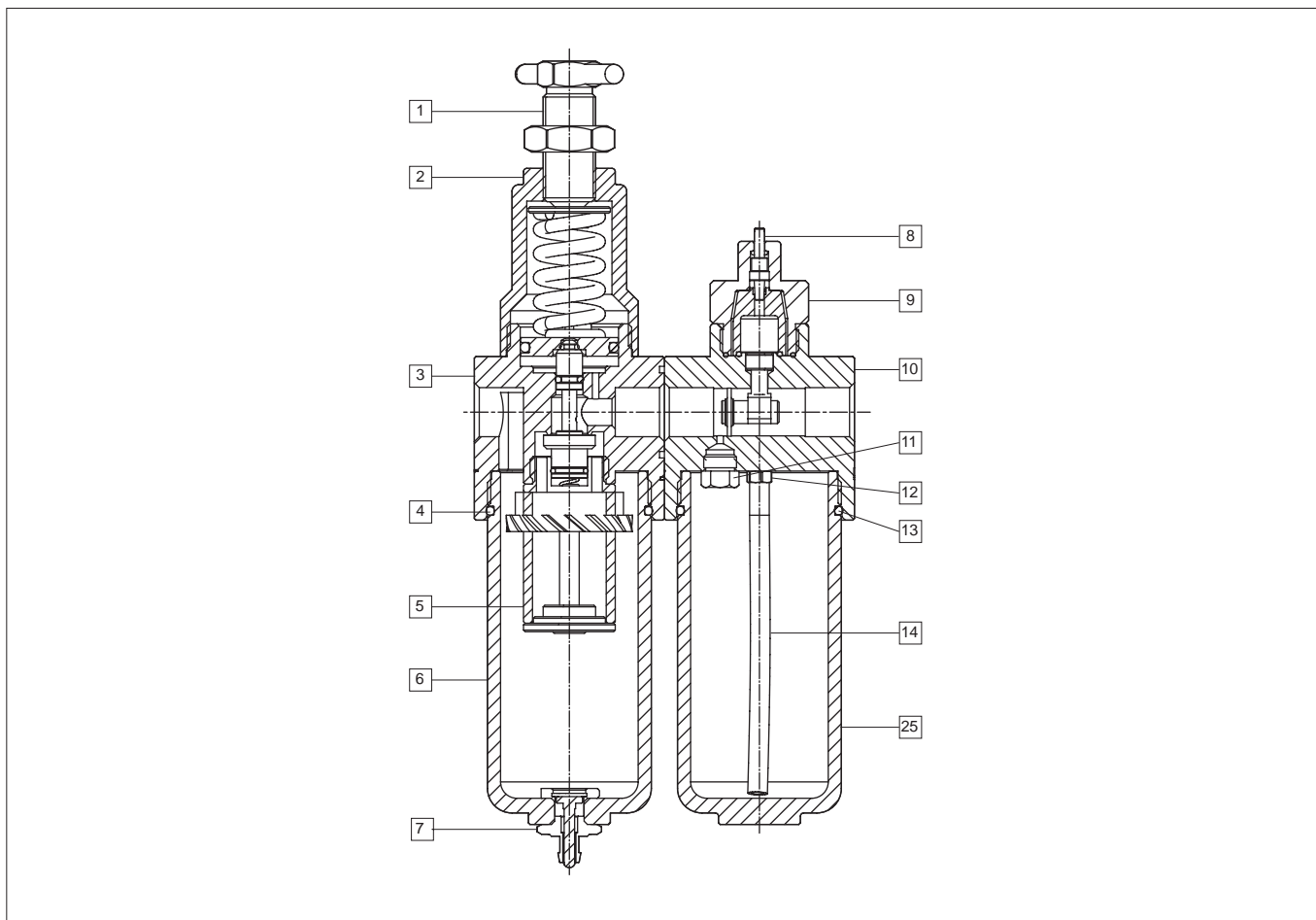
The modular units are supplied together with the bracket nuts and gauge always in stainless steel material.

Order separately screw kit and o-ring for mounting FRRX + LX, see page 5.140.41

How to order: A12FRRX40N

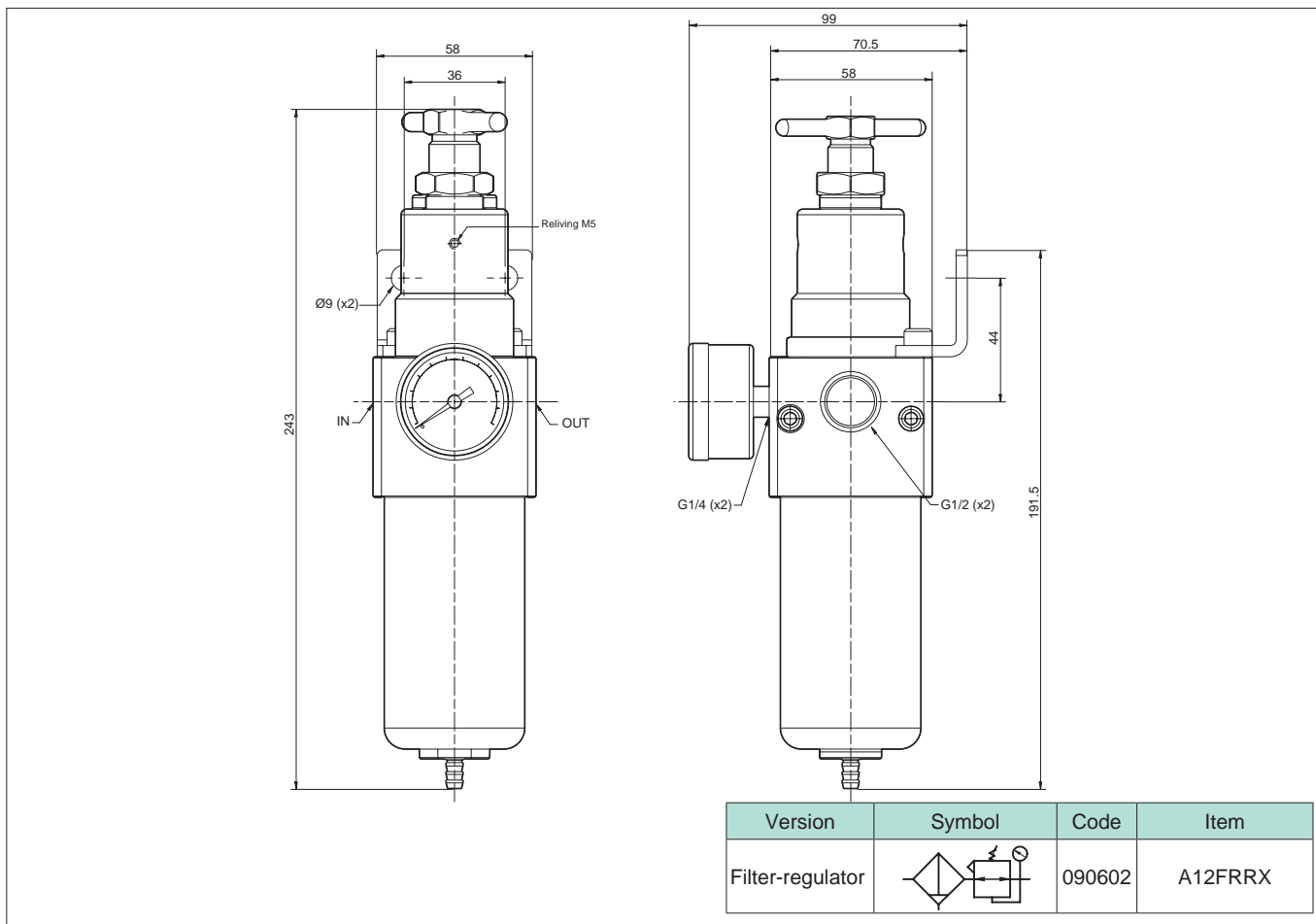
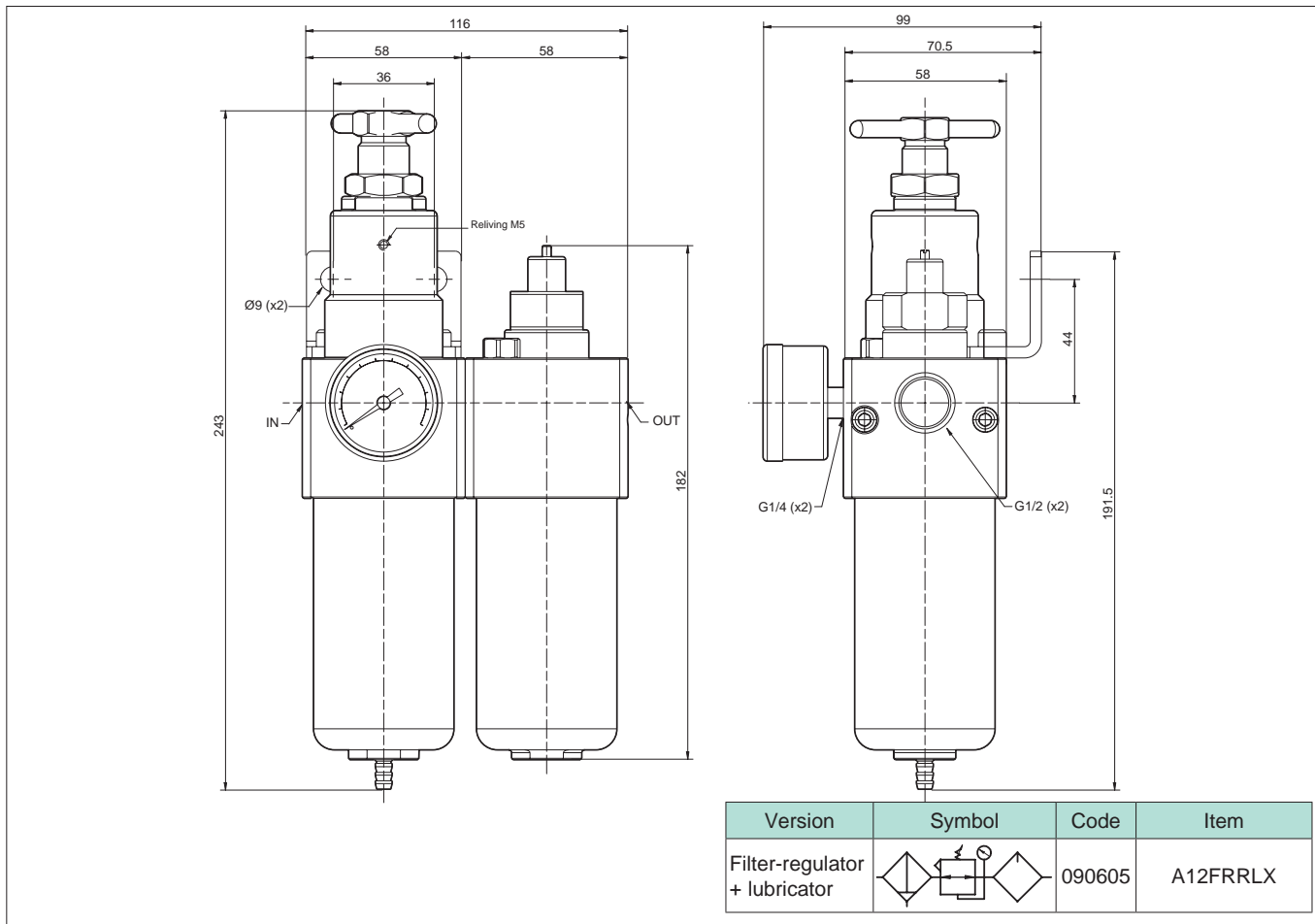
A12FRRX	40	N
Version	Option	Option

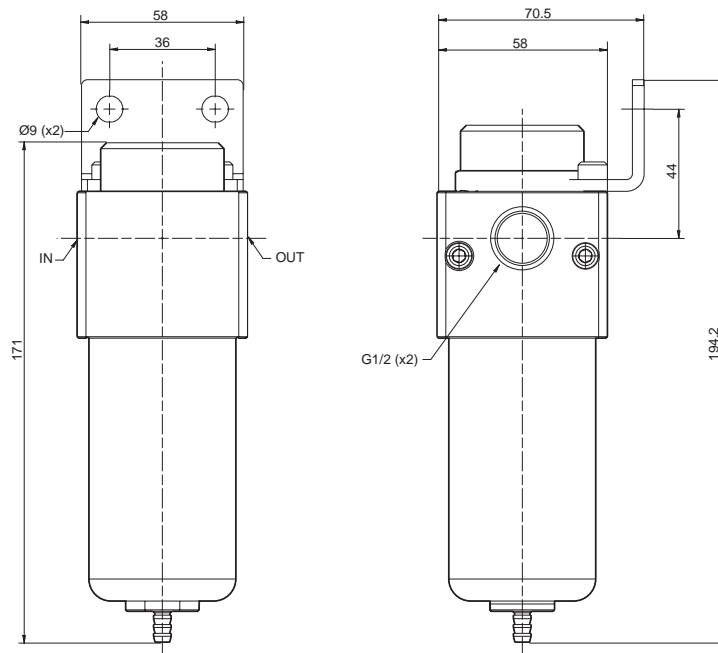
Technical data					
Item	A12FRRLX	A12FRRX	A12FX	A12RX	A12LX
Pressure	60 bar				
Regulation range	0,5 ÷ 12 bar (standard) - 20 ÷ 28 bar (HP)				
Overpressure exhaust	Reliving M5	Reliving M5	-	Reliving M5	-
Pressure regulator	Piston	Piston	-	Piston	-
Max. flow rate (l/min)	2500 l/min	3800 l/min	3030 l/min	2520 l/min	4100 l/min
Temperature range	-20 ÷ +150 °C (standard) -40 ÷ +150°C (BT)				
Suggested oil	With ISO VG 32 viscosity according to normative ISO 3448				
Filtering element	5 µm (standard) 40 µm (on request)	-	5 µm (standard) 40 µm (on request)	-	-
Condense drain	Semi-automatic (standard) - On request manual/automatic			-	-
Cup capacity	Filter: 110 cm <sup>3</sup> Lubricator: 130 cm <sup>3</sup>	110 cm <sup>3</sup>	110 cm <sup>3</sup>	-	130 cm <sup>3</sup>
Weight	3840 g	2000 g	1650 g	1400 g	1750 g



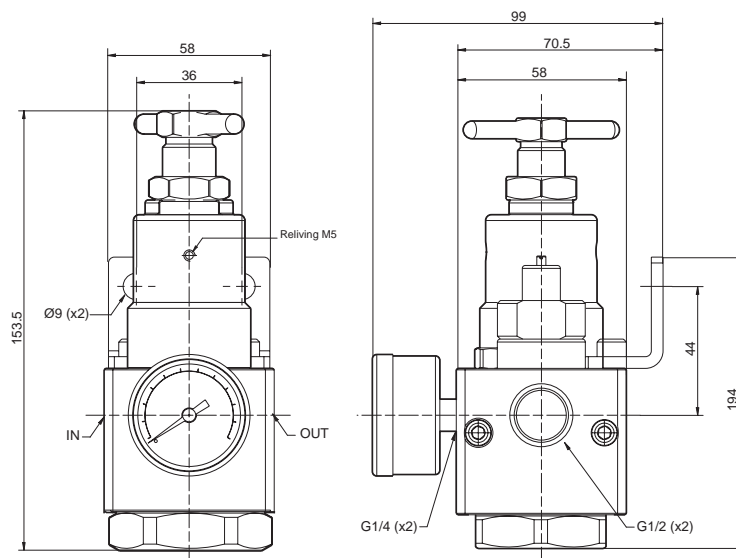
Materials					
1	Pressure regulator screw	Stainless steel AISI 316	9	Lubricator cover	Stainless steel AISI 316
2	Pressure regulator cup	Stainless steel AISI 316	10	Lubricator body	Stainless steel AISI 316
3	Regulator body	Stainless steel AISI 316	11	Cover	Stainless steel AISI 316
4	O-ring seal	FKM (standard) - EPDM (BT)	12	Fitting	Stainless steel AISI 316
5	Filtering element	Stainless steel AISI 316	13	O-ring seal	FKM (standard) - EPDM (BT)
6	Filter cup	Stainless steel AISI 316	14	Pipe	PU
7	Drain unit	Stainless steel AISI 316	15	Lubricator cup	Stainless steel AISI 316
8	Oil regulation screw	Stainless steel AISI 316			

Description	Code	Item
Screw kit and o-ring	090619	VOXKIT-1/2"

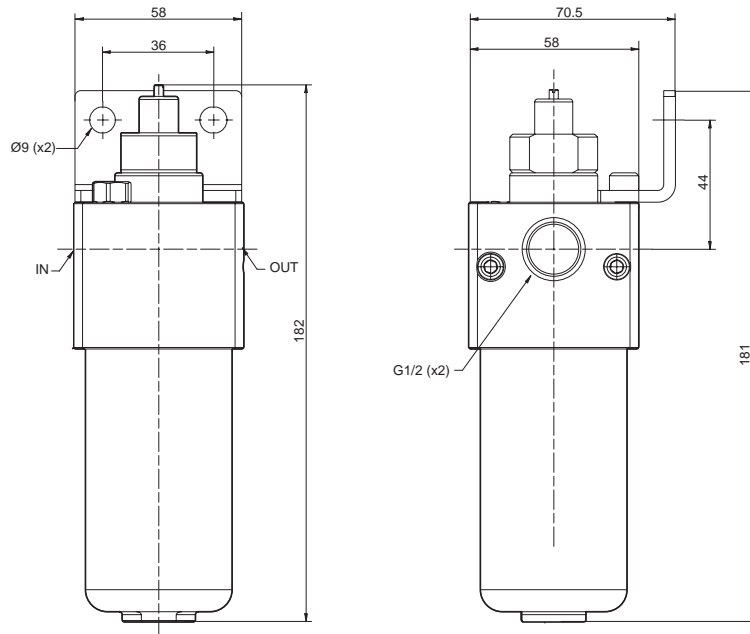




Version	Symbol	Code	Item
Filter		090608	A12FX



Version	Symbol	Code	Item
Regulator		090611	A12RX



Version	Symbol	Code	Item
Lubricator		090614	A12LX