

Stainless Steel ancillary valves

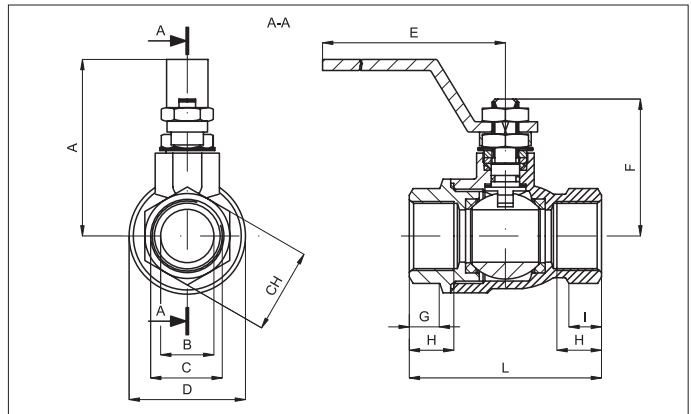
Ball valves "full bore"



Standard executions			
Version	Symbol	Code	Item
1/4"		030681	VSLX014FF
3/8"		030682	VSLX038FF
1/2"		030683	VSLX012FF
3/4"		030684	VSLX034FF
1"		030685	VSLX100FF
1 1/4"		030686	VSLX114FF
1 1/2"		030687	VSLX112FF
2"		030688	VSLX200FF



Series of stainless steel ball valves full bore with long lever and manually operated. In line mounting they work to close or open the air flow in both directions. For use in the alimentary and chemical fields.



C	A	B	D	E	F	G	H	I	L	CH	Weight (g)
1/4"	52	8	29	110	37	8,5	11,4	8	50	21,5	220
3/8"	52	10	29	110	37	8,5	11,4	8	50	21,5	205
1/2"	55	15	34	110	42	10	15	9,5	60	26,5	275
3/4"	66	20	42,5	140	52	11,5	16,3	11,5	70	31,5	465
1"	70	25	50,5	140	56	14	19,1	13,5	85	40,5	710
1 1/4"	85	32	63	180	68	15,5	21,4	16	95	49,5	1180
1 1/2"	91	40	75,5	180	74	18,5	21,4	16	105	54,5	1740
2"	105	50	91	230	87	22,5	25,7	23,5	125	69,5	2930

Technical data	
Fluid	Compressed air, water, steam, inert gases and fluids
Pressure	1/4" - 3/8" - 1/2"= 100 bar 3/4"-1"= 64 bar 1 1/4"-1 1/2"-2"= 40 bar
Temperature range	-20 °C ÷ + 150°C
Orifice	1/4"-3/8"= 10 mm 1/2"= 15 mm 3/4"= 20 mm 1"= 25 mm 1 1/4"= 32 mm 1 1/2"= 40 mm 2"= 50 mm
Flow	1/4" - 3/8"= 3.000 l/min 1/2"= 11.500 l/min 3/4"= 21.000 l/min 1"= 33.000 l/min 1 1/4"= 50.000 l/min 1 1/2"= 84.000 l/min 2"= 97.000 l/min.
Mounting	In-line
Materials	Body: Stainless steel AISI 316 Lever: Stainless steel AISI 316 Ball: Stainless steel AISI 316 Seal: PTFE - FKM