

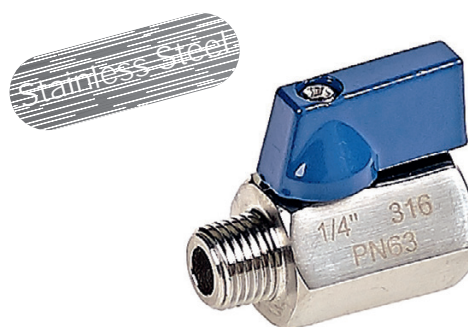
Stainless Steel ancillary valves

Miniature ball valves from stainless steel hexagonal bar

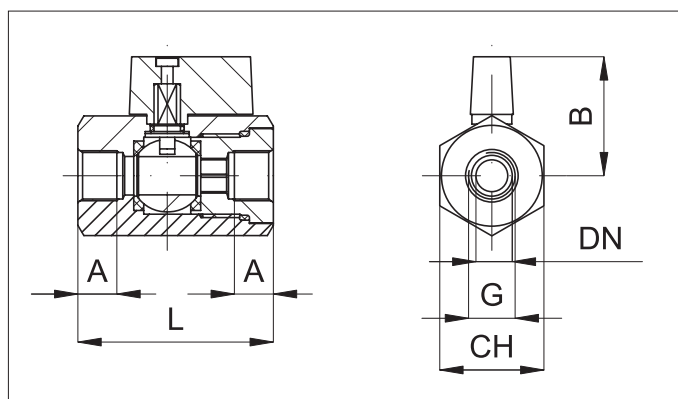


Standard executions

Version	Symbol	Code	Item
1/4" female-female		030651	2MVSXFF
3/8" female-female		030652	3MVSXFF
1/2" female-female		030653	4MVSXFF
1/4" male-female		030654	2MVSXMF
3/8"* male-female		030655	3MVSXMF
1/2" male-female		030656	4MVSXMF



Series of miniature ball valves from stainless steel hexagonal bar and manually operated. In line mounting they work to close or open the flow in both directions. For use in the alimentary and chemical field.



G	A	B	L	CH	DN	Weight (g) FF	Weight (g) MF
1/4"	10	30	50	27	10	200	170
3/8"	10	30	50	27	10	190	165
1/2"	10	30	50	27	10	175	160

Technical data

Fluid	Compressed filtered air with or without lubrication. Lubrication, if started, must be continued.	
Pressure	0 ÷ 25 bar	
Temperature range	-20 °C ÷ + 150°C	
Orifice	See the dimension DN in the table	
Mounting	In-line	
Materials	Body:	Stainless steel AISI 316
	Lever:	Nylon 66 reinforced glass
	Sphere:	Stainless steel AISI 316
	Seal:	PTFE - FKM