

Valves series AX1 - Intrinsic safety Ex ia 1/4", 3/2 - 5/2 - 5/3, IN LINE and NAMUR interface, electrically operated Ex ia



New



New series of "AX" valves with functions 3/2 - 5/2 - 5/3 connection in line on the body or NAMUR. Electric and electric servo pilot.

They are manufactured in AISI 316L stainless steel, especially suitable in the food, chemical, pharmaceutical, Oil & gas and mining industry.

AX valves are manufactured according to 2014/34/EU Directive to be used in potentially explosive environment.

Low consumption solenoid operator, conforming to 2014/34/EU Directive, certified:

II 2G Ex ia IIC T6 Ga

II 2G Ex ia IIC T4 Ga

Connectors have to be ordered separately:

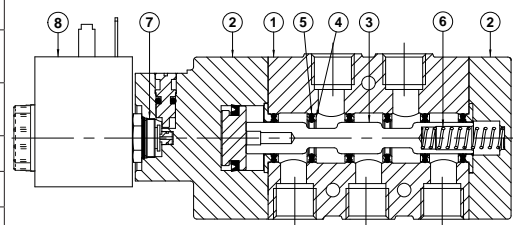
For connector type A18209N/ATEX

see page 2.210.50

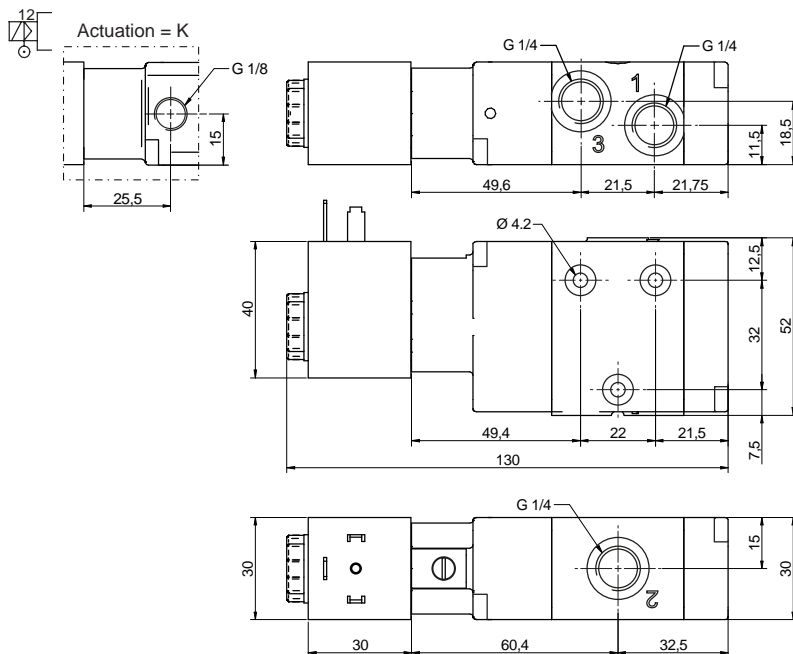
Standard executions		
Version	Symbol	Code
3/2 NC		For code key see the table below
3/2 NO		
3/2 solenoid/solenoid		
5/2 solenoid/spring		
5/2 solenoid/solenoid		
5/2 solenoid/solenoid differential		
5/3 closed centres		
5/3 open centres		
5/3 pressurised centres		

Code key					
Series	Actuation	Size	Function	Hazardous areas	Voltages
AX1 = Standard AXX1 = Completely in stainless steel AX1N = NAMUR AXX1N = NAMUR Completely in stainless steel	E = electrical Ø9 K = electrical Ø9 external air pilot	2 = 1/4 Gas 2N = 1/4 NPT	30 = 3/2 NC 31 = 3/2 NO 32 = 3/2 solenoid/solenoid 50 = 5/2 solenoid/spring 51 = 5/2 solenoid/solenoid 52 = 5/2 solenoid/solenoid differential 70 = 5/3 CC 71 = 5/3 OC 72 = 5/3 PC	XA = II 2G Ex ia IIC T6 Ga XA1 = II 2G Ex ia IIC T4 Ga	C = 24 VDC

Technical data					
Fluid	Compressed filtered air with or without lubrication. Lubrication, if started, must be continued.				
Threaded connection	1/4 Gas - 1/4 NPT				
Pressure range	Spring return: 1,5 ÷ 8 bar	Bistable: 1 ÷ 8 bar	3 positions: 2,5 ÷ 8 bar		
Minimum external air pressure	2 bar				
Temperature range	-25°C ÷ +50°C				
Ø Orifice	8 mm				
Flow	1.100 NI/min at 6 bar with ΔP 1 bar				
Mounting	In any position (vertical assembly is not recommended for bistable valves subjected to vibration)				
Manual override	Bistable				
Electrical characteristic	Nominal voltage	21.6 ÷ 28 VDC	21.6 ÷ 28 VDC		
	Max voltage	28 VDC	28 VDC		
	Nominal current	0.115 A (at 28 VDC)	0.115 A (at 28 VDC)		
	Nominal power	1.6 W (at 28 VDC)	1.6 W (at 28 VDC)		
	Duty cycle	100% ED	100% ED		
	Temp. class	T6	T4		
Response time (at 6 bar)	Energising: - ms	Energising: - ms		Energising: - ms	
	De-energising: - ms	De-energising: - ms		De-energising: - ms	
Materials	(1) Body:	Stainless steel AISI 316L			
	(2) Cover:	Stainless steel AISI 316L			
	(3) Spool:	Hard aluminium anodized (AX series) Stainless steel AISI 316 (AXX series)			
	(4) Distancers:	Fortron 1140L4 (AX series) Stainless steel AISI 316 (AXX series)			
	(5) Seals:	Hydrogenate Nitrile Butadine Rubber (HNBR)			
	(6) Spring:	Stainless steel			
	(7) Operator:	Brass			
	(8) Coil:	Thermoset resin			

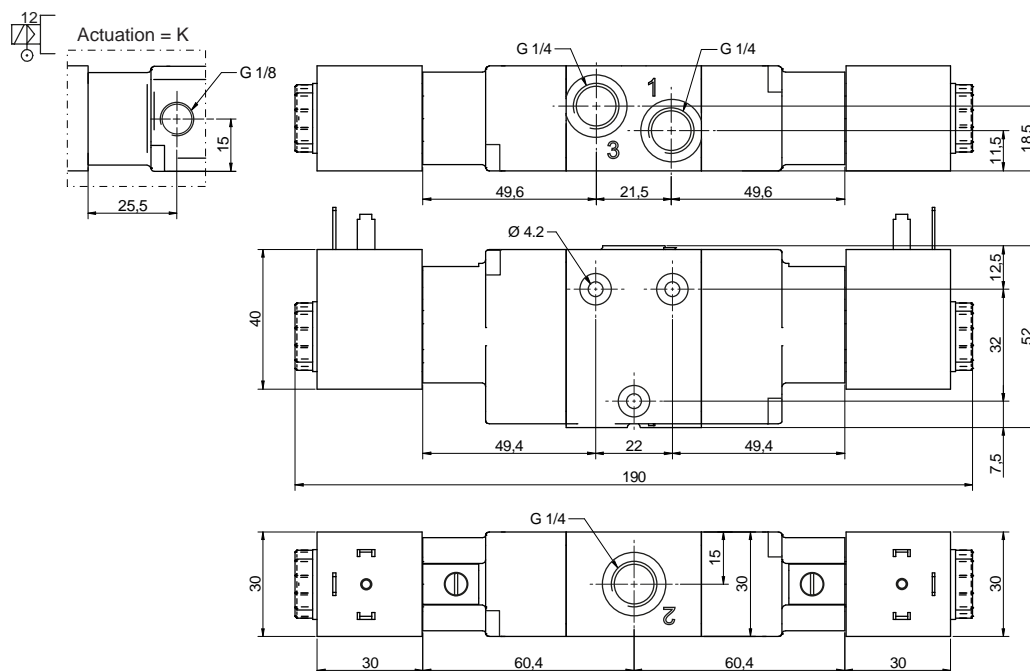


Valves series AX1 - Intrinsic safety Ex ia
 1/4", 3/2 - 5/2 - 5/3, IN LINE interface, electrically operated Ex ia



Version	Symbol	Code	Item
3/2 NC			AX1E230XAC
3/2 NO			AX1E231XAC
3/2 NC external air pilot			AX1K230XAC

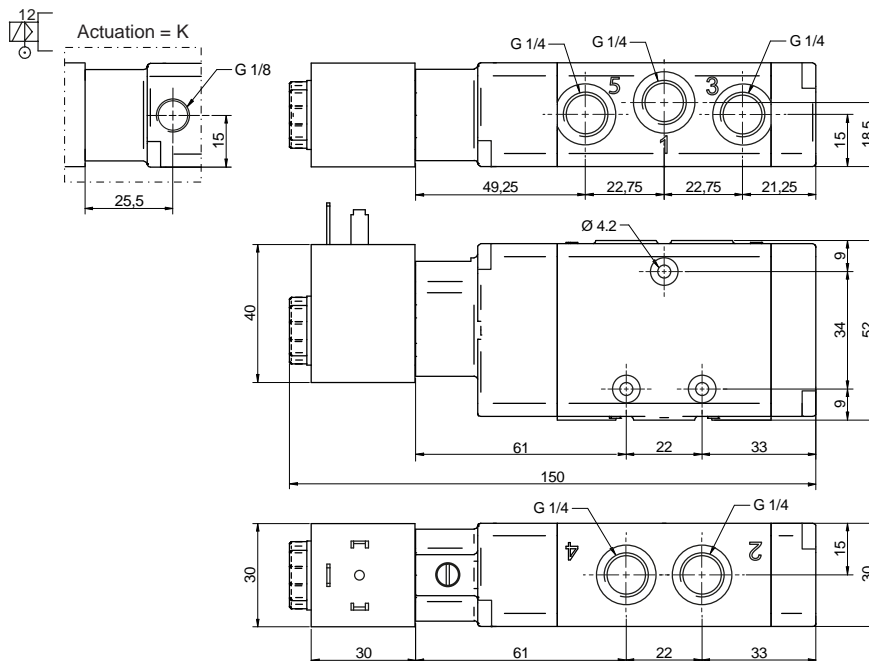
* For coil voltage: see code key at page 5.82.1



Version	Symbol	Code	Item
3/2 solenoid/solenoid			AX1E232XAC
3/2 solenoid/solenoid external air pilot			AX1K232XAC

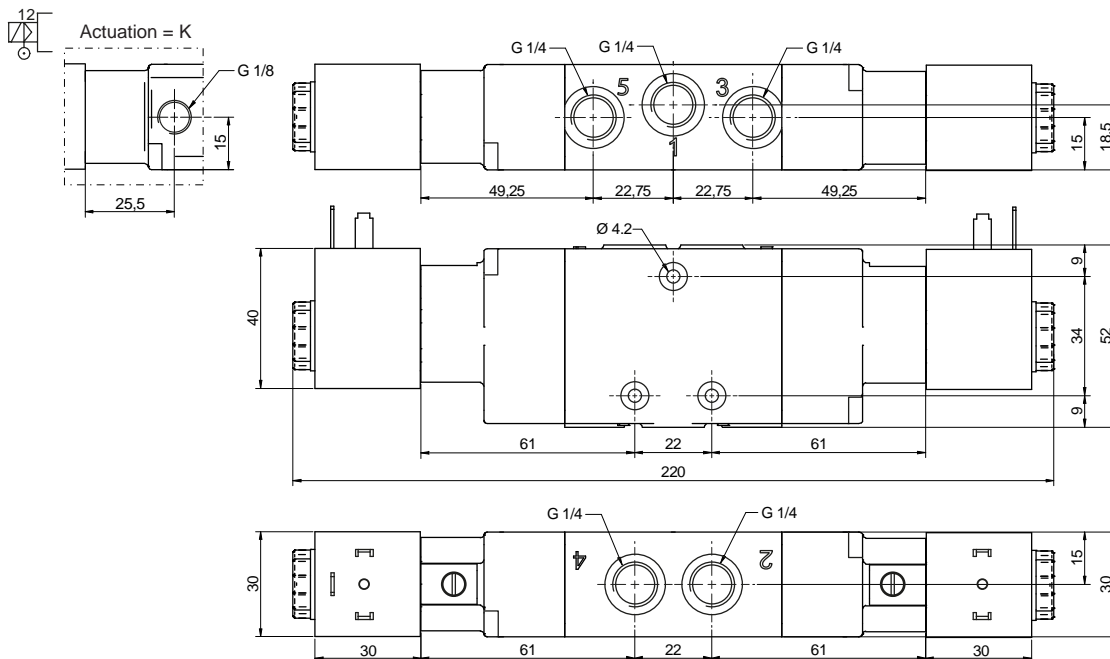
* For coil voltage: see code key at page 5.82.1

Valves series AX1 - Intrinsic safety Ex ia
 1/4", 3/2 - 5/2 - 5/3, IN LINE interface, electrically operated Ex ia



Version	Symbol	Code	Item
5/2 solenoid/spring			AX1E250XAC

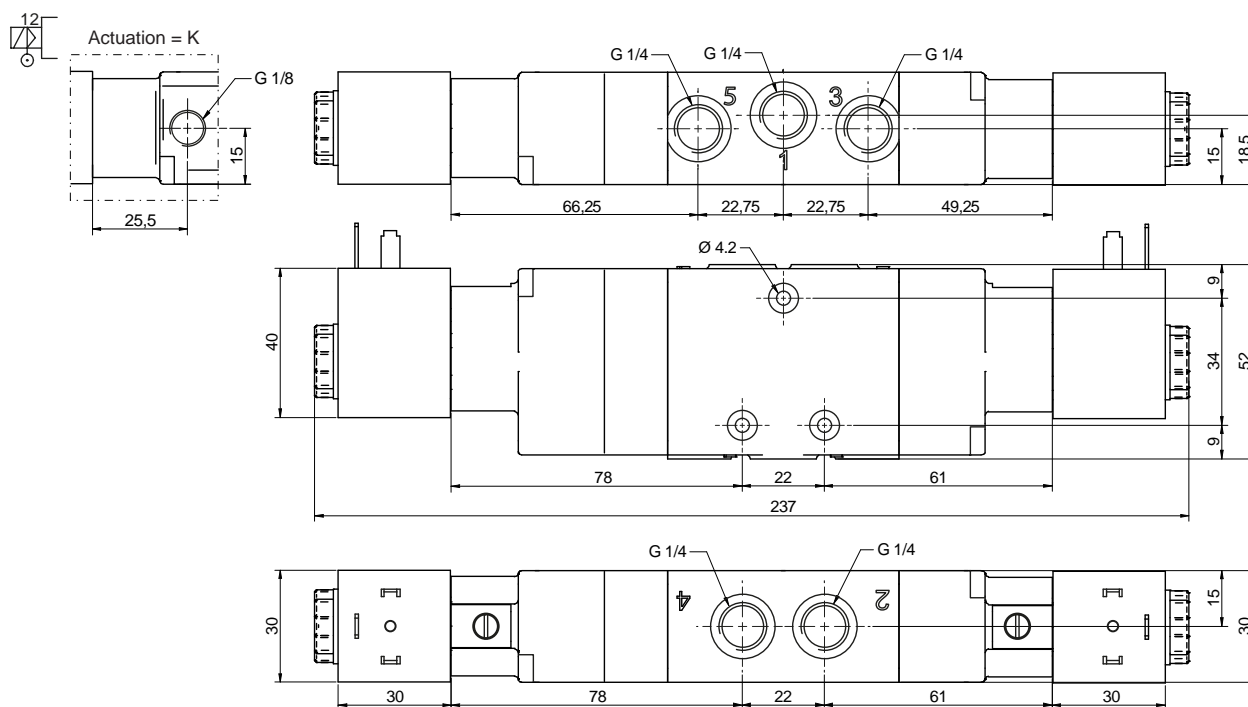
* For coil voltage: see code key at page 5.82.1

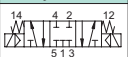

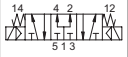


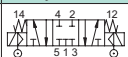
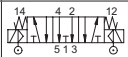
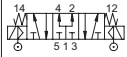
Version	Symbol	Code	Item
5/2 solenoid/solenoid			AX1E251XAC
5/2 solenoid/solenoid differential			AX1E252XAC

* For coil voltage: see code key at page 5.82.1

Valves series AX1 - Intrinsic safety Ex ia
 1/4", 3/2 - 5/2 - 5/3, IN LINE interface, electrically operated Ex ia



Version	Symbol	Code	Item
5/3 closed centres			AX1E270XAC
5/3 open centres			AX1E271XAC
5/3 pressurised centres			AX1E272XAC

Version	Symbol	Code	Item
5/3 closed centres, external air pilot			AX1K270XAC
5/3 open centres, external air pilot			AX1K271XAC
5/3 pressurised centres, external air pilot			AX1K272XAC

* For coil voltage: see code key at page 5.82.1

Valves series AX1 - Intrinsic safety Ex ia
1/4", 3/2 - 5/2, NAMUR interface, electrically operated Ex ia

