

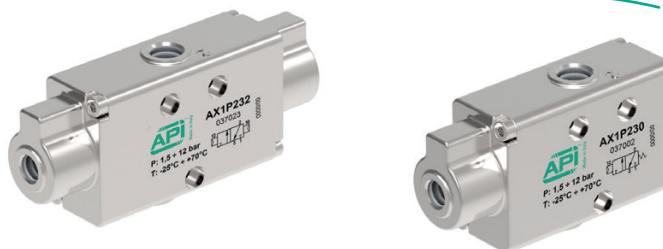
Valves series AX1

1/4", 3/2, IN LINE interface, pneumatically operated



Standard executions			
Version	Symbol	Code	Item
3/2 NC		037002	AX1P230
3/2 NO		037022	AX1P231
3/2 pilot/pilot		037023	AX1P232

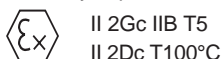
New



New series of "AX" valves with functions 3/2 connections in line on the body and pneumatic pilot.

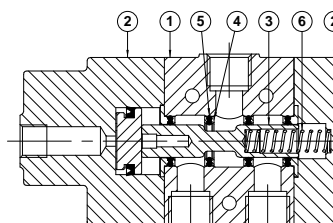
They are manufactured in AISI 316L stainless steel, especially suitable in the food, chemical, pharmaceutical, Oil & Gas and mining industry.

AX valves are manufactured according to 2014/34/EU Directive to be used in potentially explosive environment.

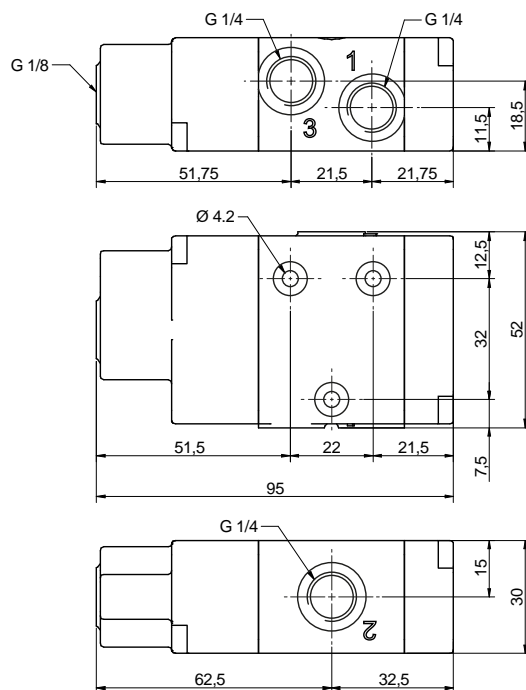


Code key				
Series	Actuation	Size	Function	Option
AX1 = Standard AXX1= Completely in stainless steel	P = pneumatic	2 = 1/4 Gas 2N= 1/4 NPT	30 = 3/2 NC 31 = 3/2 NO 32 = 3/2 pilot/pilot	V = Seals FKM

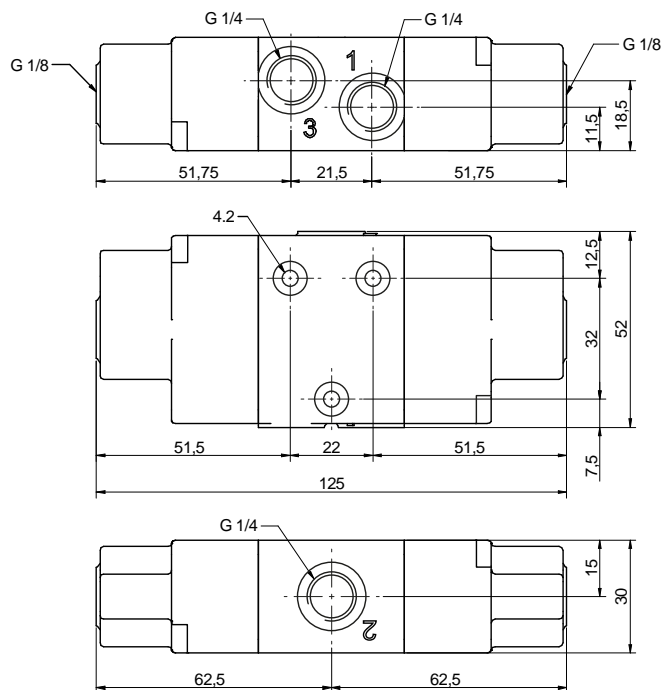
Technical data		
Fluid	Compressed filtered air with or without lubrication. Lubrication, if started, must be continued.	
Threaded connection	1/4 Gas - 1/4 NPT	
Pressure range	Spring return: 1,5 ÷ 12 bar	Bistable: 1 ÷ 12 bar
Temperature range	-25°C ÷ +70°C -10°C ÷ +150°C (V)	
Ø Orifice	8 mm	
Flow	1.100 NI/min at 6 bar with ΔP 1 bar	
Mounting	In any position (vertical assembly is not recommended for bistable valves subjected to vibration)	
Response time (at 6 bar)	Energising: - ms	Energising: - ms
	De-energising: - ms	De-energising: - ms
Materials	(1) Body:	Stainless steel AISI 316L
	(2) Cover:	Stainless steel AISI 316L
	(3) Spool:	Hard aluminium anodized (AX1 series) Stainless steel AISI 316 (AXX1 series)
	(4) Distancers:	Fortron 1140L4 (AX1 series) Stainless steel AISI 316 (AXX1 series)
	(5) Seals:	Hydrogenate Nitrile Butadine Rubber (HNBR)
	(6) Spring:	Stainless steel



Valves series AX1
1/4", 3/2, IN LINE interface, pneumatically operated



Version	Symbol	Code	Item
3/2 NC		037002	AX1P230
3/2 NO		037022	AX1P231



Version	Symbol	Code	Item
3/2 pilot/pilot		037023	AX1P232