

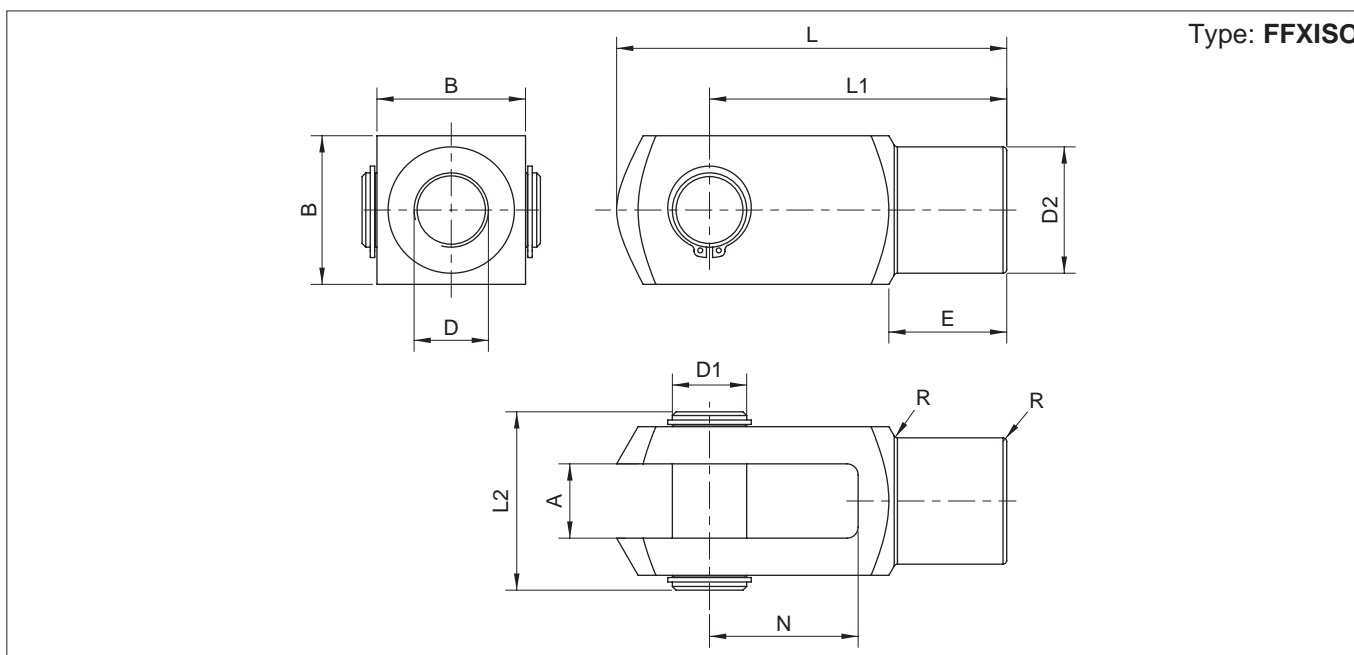
Standard executions		
Version	Symbol	Type
Female clevis		FFXISO



Clevis conforming to ISO 8140 standards.
It's provided with a pin and 2 seeger.
The clevis is mounted on the cylinder rod and allows a swinging movement.

Options	Suffix
Special version on request	/ S

Technical data		
Materials	Body and clip:	Stainless steel AISI 316
	Seeger:	Stainless steel AISI 316



For the accessories of bore 125-160-200 mm, apply for availability because they have to be produced on request only.

Code	Item	For cylinder ø mm	D	A B12	B	D ₁	D ₂	E	L	L ₁	L ₂	N	R	Weight (g)
041052	4FFXISO	8-10	M4x0,7	4	8	4	8	6	21	16	11	8	0,5	7
041053	6FFXISO	12-16	M6x1	6	12	6	10	9	31	24	16	12	0,5	19
041054	8FFXISO	20	M8x1,25	8	16	8	14	12	42	32	22	16	0,5	47
041055	10FFXISO	25-32	M10x1,25	10	20	10	18	15	52	40	25	20	0,5	89
041056	12FFXISO	40	M12x1,25	12	24	12	20	18	62	48	30	24	0,5	153
041057	16FFXISO	50-63	M16x1,5	16	32	16	26	24	83	64	39	32	1	320
041058	20FFXISO	80-100	M20x1,5	20	40	20	34	30	105	80	48	40	1	680
041112	27FFXISO	125	M27x2	30	55	30	48	38	148	110	-	54	1	-
041113	36FFXISO	160-220	M36x2	35	70	35	60	40	188	144	-	72	1	-