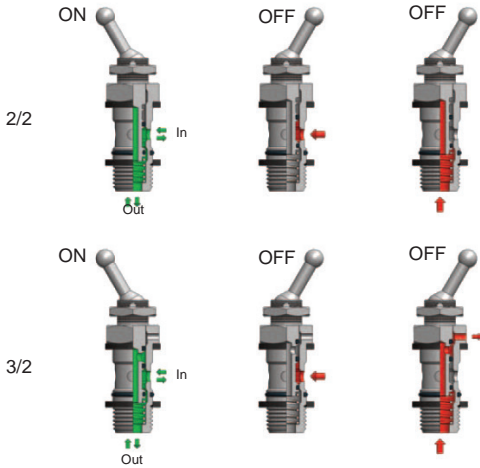


# Accessories with integrated function

## Pneumatic switch



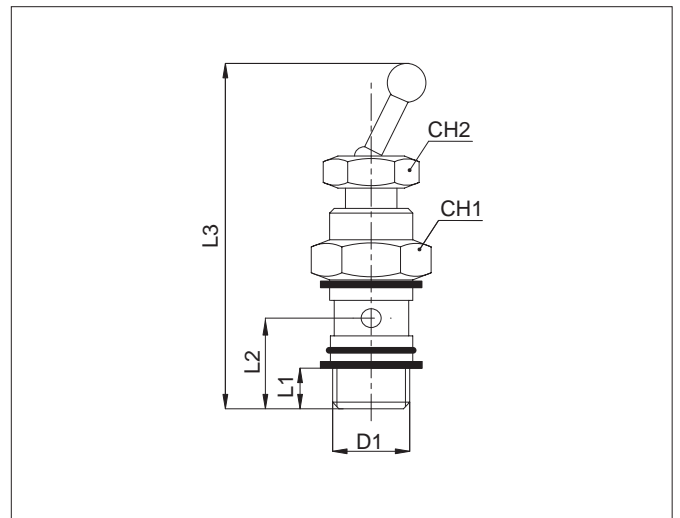
| Esecuzioni standard |        |        |           |
|---------------------|--------|--------|-----------|
| Version             | Symbol | Code   | Item      |
| Switch 1/8", 2 way  |        | 030125 | V4600182V |
| Switch 1/4", 2 way  |        | 030165 | V4600142V |
| Switch 1/8", 3 way  |        | 030166 | V4600183V |
| Switch 1/4", 3 way  |        | 030167 | V4600143V |



The V46 is a pneumatic switch. It is available in a 2/2 and 3/2-way version.

The goal of the 2/2 way switch is to cut off the flow in the circuit whenever needed by simply operating the lever. The 3/2 way valve cuts off the flow and vents to atmosphere the terminal part of the circuit.

Note: The banjo to couple to the valve have to be ordered separately (R35 - RT28 - C23 - O25)



| Version | L <sub>1</sub> | L <sub>2</sub> | L <sub>3</sub> | CH <sub>1</sub> | CH <sub>2</sub> |
|---------|----------------|----------------|----------------|-----------------|-----------------|
| 1/8"    | 6              | 16             | 55             | 14              | 15              |
| 1/4"    | 8              | 19             | 60             | 17              | 15              |

| Technical data              |  |
|-----------------------------|--|
| Fluid                       | Compressed air   |
| Pressure range              | Max. 15 bar  |
| Temperature range           | -10 °C ÷ + 70°C  |
| Parallel threads            | UNI - ISO 228 / 1 (BSPT)   |
| Flow rate at 6 bar (NI/min) | 1/8" = 610 - 1/4" = 850  |
| Tubes tolerances            | ± 0,05 mm  |
| Materials                   | Body: Nickel plated brass<br>Spring: Stainless steel AISI 302<br>Washers: Nylon (PA6)<br>Seals: Nitrile rubber (NBR) |