

Accessories with integrated function

Adjustable pressure switches



Version	Symbol	Code	Item
Normally open		024391	PR18A
Normally closed		024392	PR18C

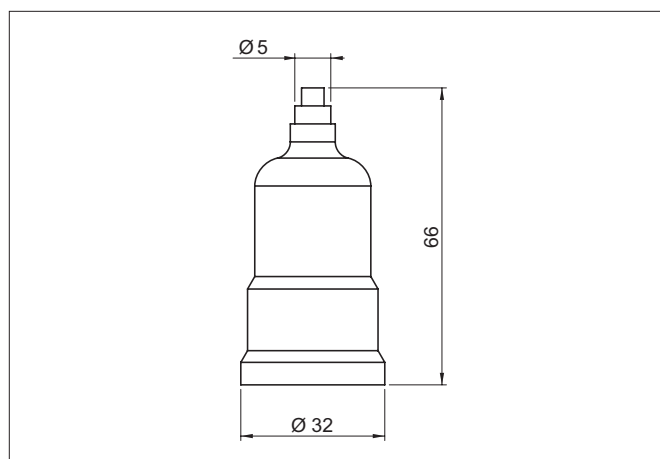
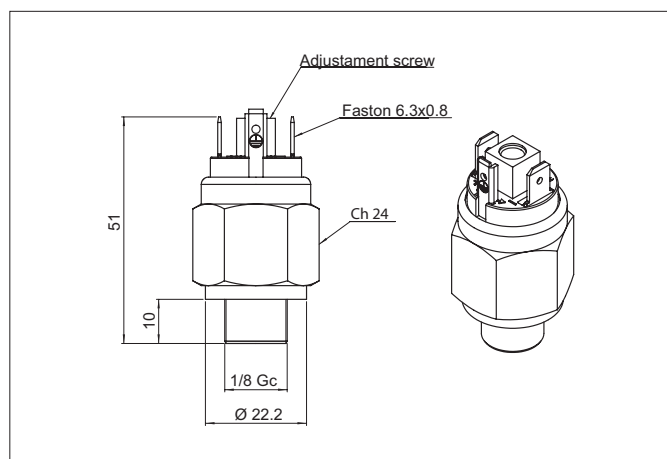


Series of adjustable pressure switches used in pneumatics to check the min. or max. pressure of compressed air into a control or a feeding circuit of a machine.

These pressure switches have been equipped with N.O./N.C. contact able to bear 0,5A electric load at 250V.

It is advisable to fix the pressure switch vertically on the line to be checked to avoid that any impurity or condense inside the inlet could affect the correct working.

By means of the adjusting screw it is possible to reset the response value but by taking away the cap.



Technical data									
Fluid	Compressed filtered air with or without lubrication								
Setting range	1 ÷ 10 bar (± 0,5 - 20° C)								
Max overpressure limit	80 bar								
Max fluid current	40 bar								
Ports	1/8" (BSPT)								
Max switches voltage	250 V								
Max switches current	0,5 A								
Action type	1B								
Pollution situation	Normal								
Protection degree (without cover)	IP 00								
Protection degree (with cover)	IP 54								
Temperature range	-15 °C ÷ +100 °C								
Mechanical working life	10 ⁶ operations								
Electrical working life	10 ⁵ operations								
Normative	EN60730-i								
Weight	65 gr								
Material	<table border="0"> <tr> <td>Body:</td> <td>Brass</td> </tr> <tr> <td>Silver plated electric contacts:</td> <td>Silver AgNi</td> </tr> <tr> <td>Diaphragm:</td> <td>NBR</td> </tr> <tr> <td>Contact holder:</td> <td>Rubber</td> </tr> </table>	Body:	Brass	Silver plated electric contacts:	Silver AgNi	Diaphragm:	NBR	Contact holder:	Rubber
Body:	Brass								
Silver plated electric contacts:	Silver AgNi								
Diaphragm:	NBR								
Contact holder:	Rubber								