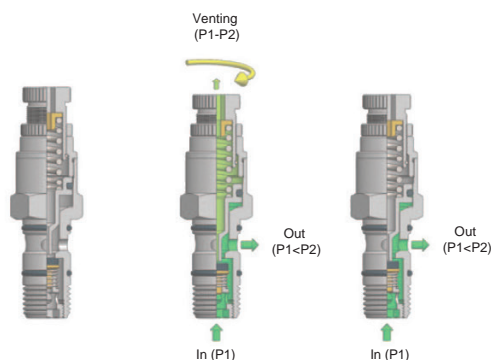


Accessories with integrated function

Pressure regulators



Version	Symbol	Type
Pressure regulator		V47



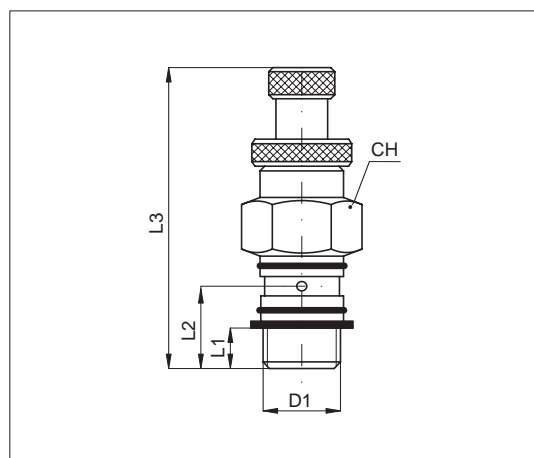
When installed in a pneumatic circuit, the pressure control sets the working pressure of all the connected components. The pressure adjustment will be thereby kept steady for a long time.

It can also be used as an economizer when connected between the valve and the cylinder to operate.

Pressure is being saved and rod speed decreased in the desired direction. A big energy saving is this way obtained.

Note: To banjo to couple to the valve have to be ordered separately (R35 - RT28 - C23 - 025)

Code	Item	D ₁	L ₁	L ₂	L _{3 max}	CH
030127	V470018	1/8"	6	15,5	56	15
030140	V470014	1/4"	8	18,5	63	17



Technical data

Fluid	Compressed air	
Pressure range	Max. inlet 10 bar; Setting performance 0 ÷ 8 bar	
Temperature range	0 °C ÷ + 70°C	
Parallel threads	UNI - ISO 228 / 1 (BSP)	
Metric threads	ISO R / 262	
Flow rate at 6 bar (Nl/min)	1/8" = 340 - 1/4" = 580	
Materials	Body:	Nickel plated brass
	Spring:	Stainless steel AISI 302
	Seals:	Nitrile rubber (NBR)