

# Flow controls

## Silenced exhaust restrictors



Version	Symbol	Type
Manual, with external spring and right adjustment		AVE
Manual, with internal spring and left adjustment		AVS
Manual, with internal spring		AVT
With screwdriver adjustment and high flow		AVL
With screwdriver adjustment		AVC
In polyethylene		AR07



Series of silenced exhaust restrictors normally used to reduce the exhaust velocity and so the translation velocity of cylinders. They are normally applied to valve exhausts or quick exhaust valves. They are characterised by including 2 functions in one item only: flow control and silencer.

\* How to order: AVE18N

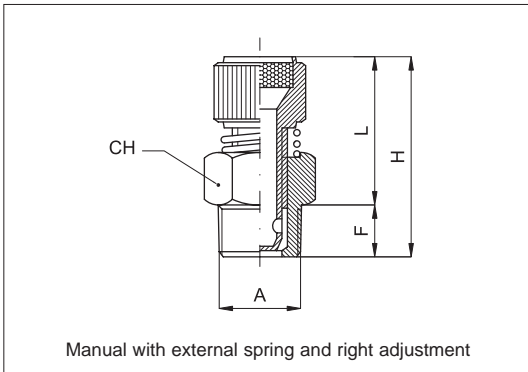
Options	Suffix
Completely nickel plated	N

AVE	18	N
Type	Thread code	Option

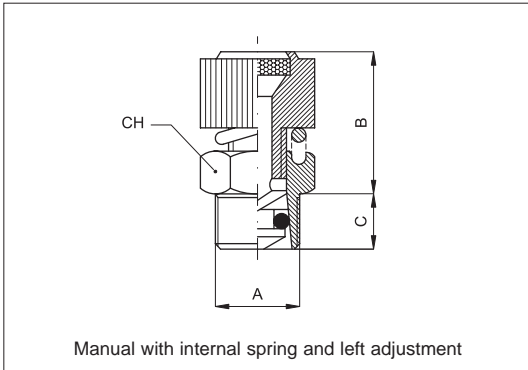
Threads	M5	1/8"	1/4"	3/8"	1/2"	3/4"	1"
Code	M5	18	14	38	12	34	01

\* For standard items, codes and dimensions see tables at page 4.80.51.

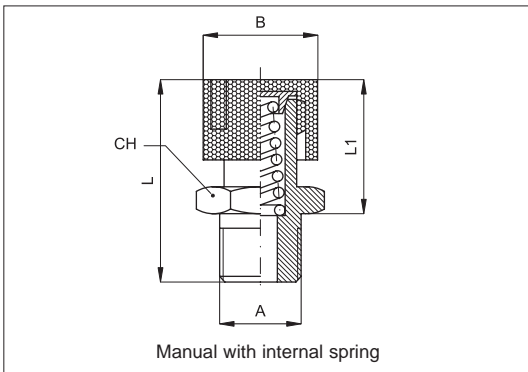
Technical data	
Fluid	Compressed air
Pressure range	0,5 ÷ 10 bar
Temperature range	-20 °C ÷ + 70°C
Parallel threads	UNI - ISO 228 / 1 (BSP)
Metric threads	ISO R / 262
Materials	Body: AVE - AVS - AVL in brass; AVT - AVC in nickel plated brass Filter element: Sintered bronze 36 micron Spring: Stainless steel Seals: Nitrile rubber (NBR)



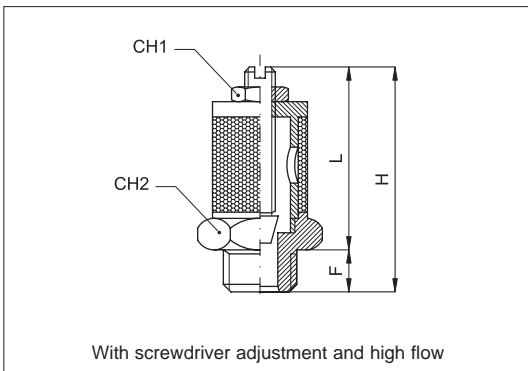
Code	Item	A	CH	F	L		H	
					min	max	min	max
023501	AVE18	1/8"	13	6	20	22	26	28
023502	AVE14	1/4"	15	8	22	24	30	32
023503	AVE38	3/8"	18	10	25	28	35	38
023504	AVE12	1/2"	22	11	26	29	36	39
023505	AVE34	3/4"	30	12	32	37	45	50
023506	AVE01	1"	36	12	32	37	45	50



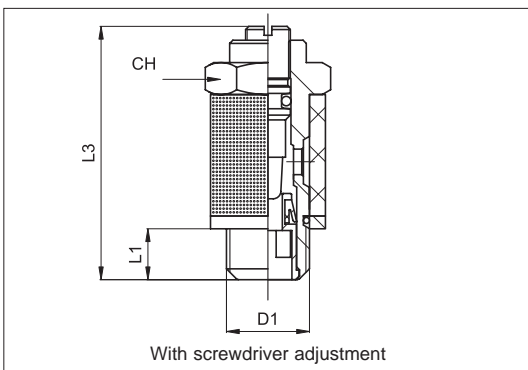
Code	Item	A	B		C	CH
			min	max		
023521	AVS18	1/8"	14	19	6	13
023522	AVS14	1/4"	17	22	8	16
023523	AVS38	3/8"	18	24	9	20
023524	AVS12	1/2"	18	24	10,5	26



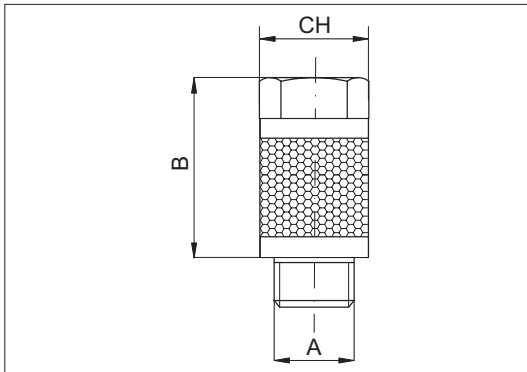
Code	Item	A	B	L max	L1		CH
					min	max	
023561	AVT18	1/8"	14	29	16	21	14
023562	AVT14	1/4"	17	33	17	24	17
023564	AVT12	1/2"	26	43	25	31	26



Code	Item	A	F	CH1	CH2	L		H	
						min	max	min	max
023541	AVL18	1/8"	8	10	16	20	22	26	28
023542	AVL14	1/4"	9	10	16	22	24	30	32
023543	AVL38	3/8"	10	10	22	25	28	35	38
023544	AVL12	1/2"	11	10	22	26	29	36	39
023545	AVL34	3/4"	11	13	30	32	37	45	50
023546	AVL01	1"	11	13	36	32	37	45	50
023547	AVL05	5MA	3,5	6	8	13	18	16	21



Code	Item	D1	L1	L2 max	CH	gr.
023572	AVC18	1/8"	6	36	14	28
023573	AVC14	1/4"	8	42	17	52
023574	AVC38	3/8"	9	52	20	96



Code	Item	A	B	CH
023531	AR07 18	1/8"	15	13
023532	AR07 14	1/4"	22	15
023533	AR07 38	3/8"	30.4	20
023534	AR07 12	1/2"	40.2	25