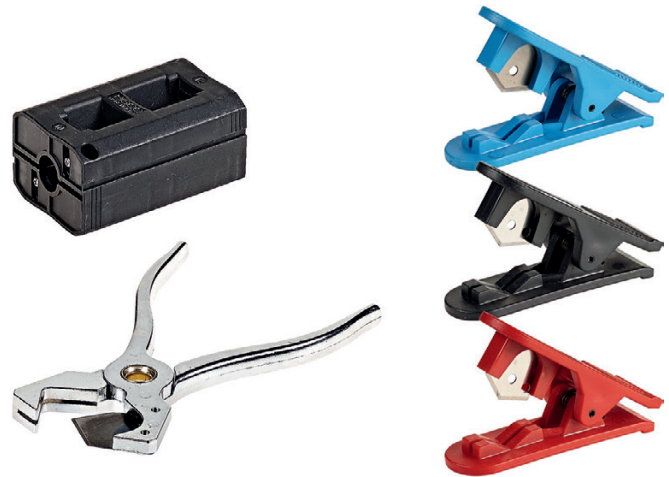
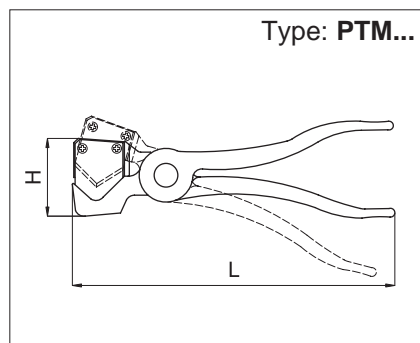


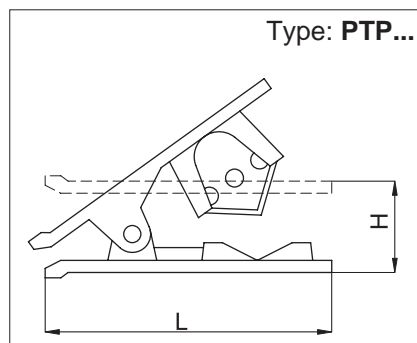
| Version | Code | Item |
|--|--------|----------|
| In black plastic, for tube from Ø 2 to 12 mm | 022911 | PTPNE |
| In red plastic, for tube from Ø 2 to 12 mm | 022912 | PTPRO |
| In blue plastic, for tube from Ø 2 to 12 mm | 022913 | PTPBL |
| Metal for tube from Ø 2 to 12 mm | 022981 | PTM12 |
| Metal for tube till Ø 25 mm | 022982 | PTM25 |
| Replacement blade for type PTP | 022910 | LPTP |
| Replacement blade for type PTM12 | 022991 | LPTM12 |
| Replacement blade for type PTM25 | 022992 | LPTM25 |
| External cover cutter for double layer spatter resistant tube (for Ø 6 and 8 mm) | 750010 | TSC8-6 |
| External cover cutter for double layer spatter resistant tube (for Ø 10 and 12 mm) | 750011 | TSC12-10 |



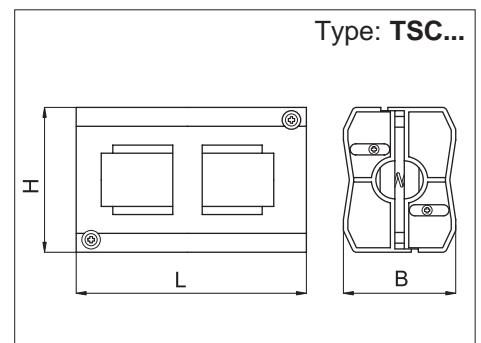
On request the series PTP can be supplied in various colours and be customised with private label (for bulk quantities).



| Item | L | H |
|-------|-----|----|
| PTM12 | 130 | 30 |
| PTM25 | 185 | 46 |



| Item | L | H |
|--------|----|----|
| PTP... | 81 | 27 |



| Item | L | H | B |
|----------|----|----|----|
| TSC8-6 | 75 | 49 | 39 |
| TSC12-10 | | | |

| Technical data | | | |
|----------------|---|---------------------|--|
| | PTP | PTM | TSC |
| Body material | Acetal resin | Chrome plated steel | Acetal resin |
| Blade material | Stainless steel | Steel | Stainless steel |
| Tube | Rilsan, polyurethane, polyethylene, nylon | | Spatter resistant (for cutting the external cover) |