

Version	Symbol	Type
Size 1, with push-in fittings without check valves		A113
Size 2, with push-in fittings without check valves		A213



On request they can be supplied in special configurations.

Also available with check valves, type A013, only with push-in fittings 6x4, 6 connections and 8x6, 4 connections (overall dimensions same as type A113).

Series of multiple connectors available in various configurations (number and diameter of the tubes).

They are normally used when it is necessary to disconnect more connections quickly with only one operation only.

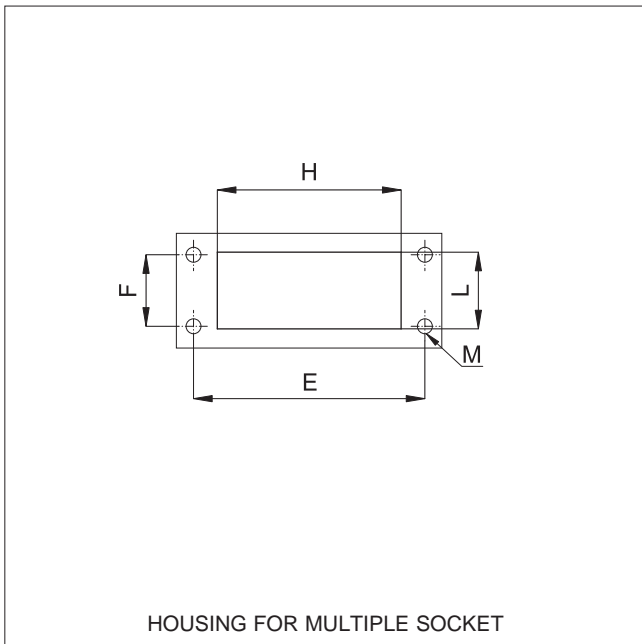
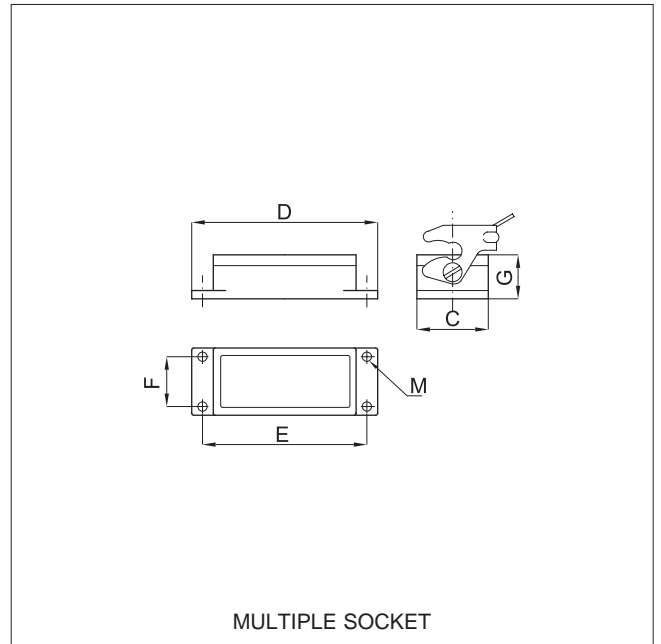
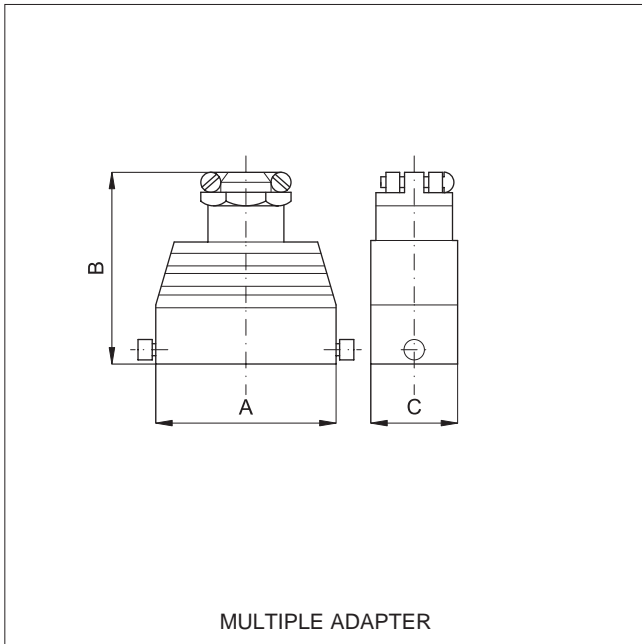
The tubes connection in the socket is with push-in fittings.

Is possible to connect a smaller number of tubes.

Adapter cannot be assembled the reverse side to the socket.

For standard items, codes and dimensions see the table at page 4.55.2.

Technical data	
Fluid	Compressed air
Pressure range	0 ÷ 12 bar (Vacuum resistance: 750 mm. Hg) - Type A013 max 7 bar
Temperature range	-20 °C ÷ 70 °C
Connections (Tube Ø)	4x2,5; 5x3; 6x4; 8x6
Connection tubes	Calibrated nylon, polyurethane and rilsan.
Tubes tolerances	± 0,05 mm
Materials	Body: Painted aluminium Releasing lever: Stainless steel Fittings: Brass Seals: Nitrile rubber (NBR)



Code	Item	Tube Ø	A	B	C	D	E	F	G	H	L	M	n° tubes
025001	A113-4-12	4x2,5	93	100	45	113	103	32	28	88	38	4,5	12
025002	A113-5-10	5x3,2	93	100	45	113	103	32	28	88	38	4,5	10
025003	A113-6-10	6x4	93	100	45	113	103	32	28	88	38	4,5	10
025004	A113-8-8	8x6	93	100	45	113	103	32	28	88	38	4,5	8
025021	A213-4-20	4x2,5	120	100	45	140	130	32	28	115	38	4,5	20
025022	A213-6-14	6x4	120	100	45	140	130	32	28	115	38	4,5	14