

Compression fittings series O

In nickel plated brass



Version	Type	Version	Type
BSPT stud	O11	Equal elbow	O17
BSP stud	O12	BSPT tee	O19
Female BSP stud	O13	BSPT lateral tee	O20
Union	O14	Equal tee	O18
Reducer	O26	Single banjo bolt	C25
BSP stem adapter	O24	Double banjo bolt	C26
Bulkhead	O15	Single banjo	O25
BSPT elbow	O16	Nut	O21
Female elbow	O27	Ogive	O22
		Tube insert	O23



Series of compression fittings for brass tubes. The ogive crushing onto the tube, by screwing down the external nut, allows to get a safe connection and to work even at high pressures.

The ogive is single cone. The fittings seats, the ogives and the nuts are conforming to DIN 3870 - 3861 standards.

This series of fittings can also be used for connecting non-stiff tubes (rilsan, polyurethane, nylon etc.) and this by applying a tube insert inside the tube.

Available with threads Gas taper (BSPT) and Gas parallel (BSP). For sealing washers (parallel threads) see page 4.65.41.

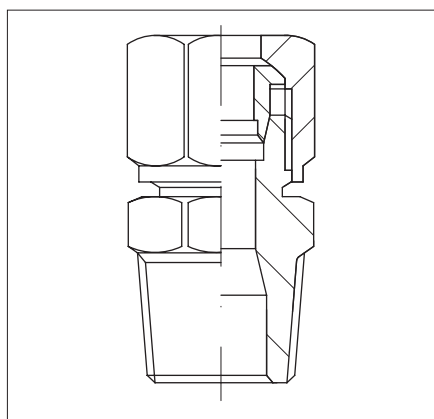
*How to order: O160618

O16	06	18
Type	Tube Ø code	Tube or thread code

* For standard items, codes and dimensions see tables from page 4.25.2

External tube (mm)	4	5	6	8	10	12	15
Code	04	05	06	08	10	12	15

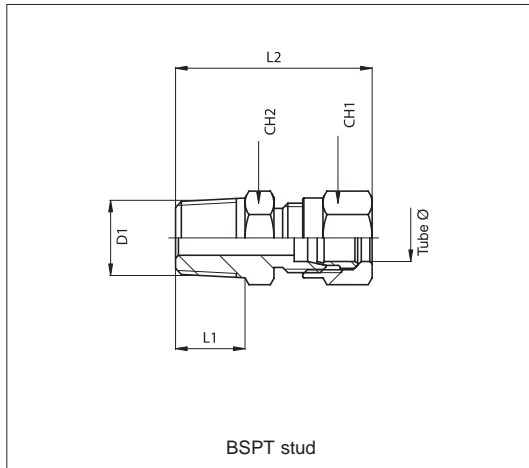
Threads	1/8"	1/4"	3/8"	1/2"
Code	18	14	38	12



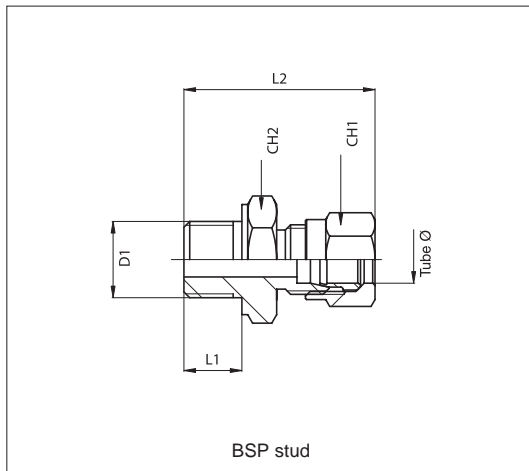
Technical data	
Fluid	Compressed air
Pressure range	According to the tube used. Maximum 60 bar
Temperature range	According to the tube used
Parallel threads	UNI - ISO 228 / 1 (BSP)
Taper threads	UNI - ISO 7 / 1 (BSPT)
Connection tubes	Metal or Rilsan, Nylon, Polyurethane, Polyethylene (with insert tube)
Materials	Body and nut: Nickel plated brass Ogive: Brass

Compression fittings series O

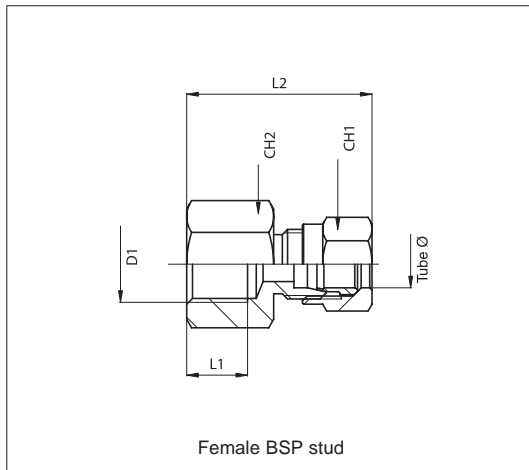
In nickel plated brass



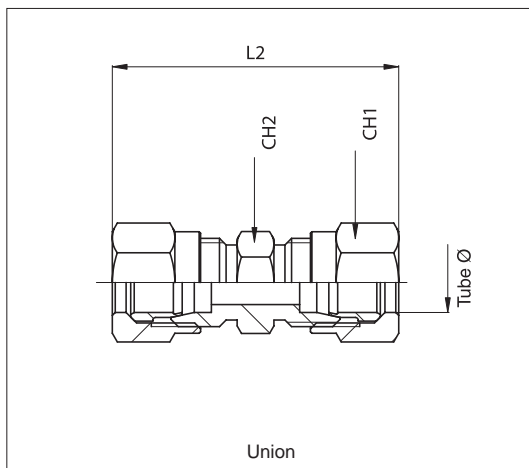
Code	Item	Tube Ø	D ₁	L ₁	L ₂	CH ₁	CH ₂
021701	O 11 04 18	4	1/8"	8	27	10	10
021702	O 11 05 18	5	1/8"	8	28	12	11
021703	O 11 06 18	6	1/8"	8	28	12	12
021704	O 11 06 14	6	1/4"	11	33	12	14
021705	O 11 08 18	8	1/8"	8	30	14	12
021706	O 11 08 14	8	1/4"	11	33	14	14
021712	O 11 08 38	8	3/8"	12	33	14	17
021707	O 11 10 14	10	1/4"	11	37,5	19	17
021708	O 11 10 38	10	3/8"	11,5	38	19	17
021709	O 11 12 38	12	3/8"	11,5	39	22	19
021710	O 11 12 12	12	1/2"	14	41	22	22
021711	O 11 15 12	15	1/2"	14	44,5	27	22



Code	Item	Tube Ø	D ₁	L ₁	L ₂	CH ₁	CH ₂
021742	O 12 04 M5	4	M5	5	26	10	9
021731	O 12 04 18	4	1/8"	6	25	10	14
021732	O 12 05 18	5	1/8"	8	29	12	14
021733	O 12 06 18	6	1/8"	6	26	12	14
021734	O 12 06 14	6	1/4"	8	29,5	12	17
021735	O 12 08 18	8	1/8"	6	26,5	14	14
021736	O 12 08 14	8	1/4"	8	30	14	17
021737	O 12 10 14	10	1/4"	8	34,5	19	17
021738	O 12 10 38	10	3/8"	9	36	19	19
021739	O 12 12 38	12	3/8"	10	39	22	22
021740	O 12 12 12	12	1/2"	12	42	22	27
021741	O 12 15 12	15	1/2"	12	43	27	27



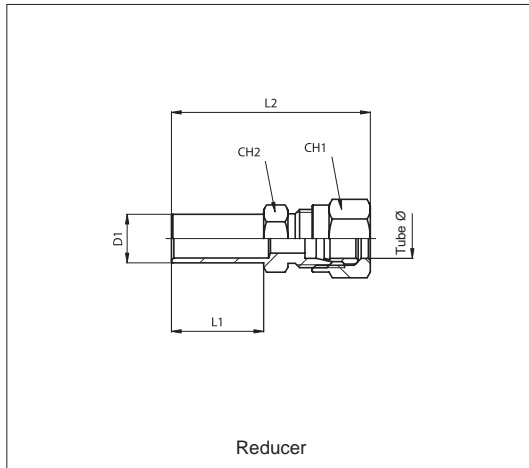
Code	Item	Tube Ø	D ₁	L ₁	L ₂	CH ₁	CH ₂
021761	O 13 04 18	4	1/8"	10	29	10	14
021762	O 13 05 18	5	1/8"	10	29	12	14
021763	O 13 06 18	6	1/8"	10	29	12	14
021764	O 13 06 14	6	1/4"	12	31	12	19
021765	O 13 08 18	8	1/8"	10	30	14	14
021766	O 13 08 14	8	1/4"	12	32	14	19
021767	O 13 10 14	10	1/4"	12	36	19	19
021768	O 13 10 38	10	3/8"	12	38	19	22



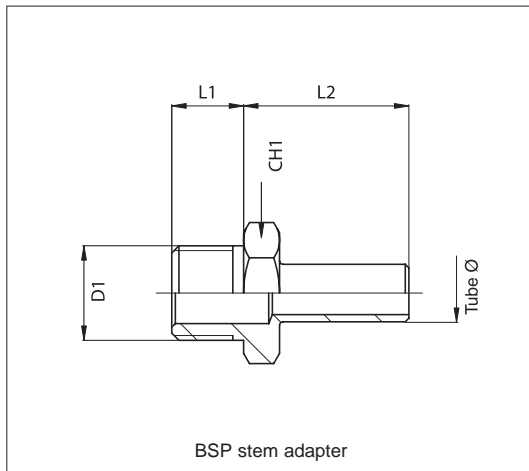
Code	Item	Tube Ø	L ₂	CH ₁	CH ₂
021791	O 14 04 04	4	36	10	9
021792	O 14 05 05	5	36	12	11
021793	O 14 06 06	6	36	12	11
021794	O 14 08 08	8	38	14	12
021795	O 14 10 10	10	48	19	17
021796	O 14 12 12	12	50	22	19
021797	O 14 15 15	15	53	27	24

Compression fittings series O

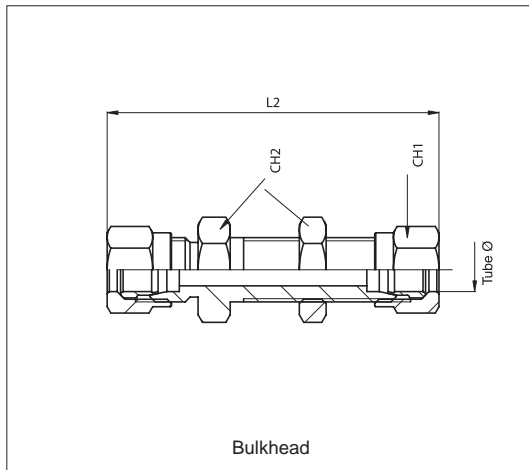
In nickel plated brass



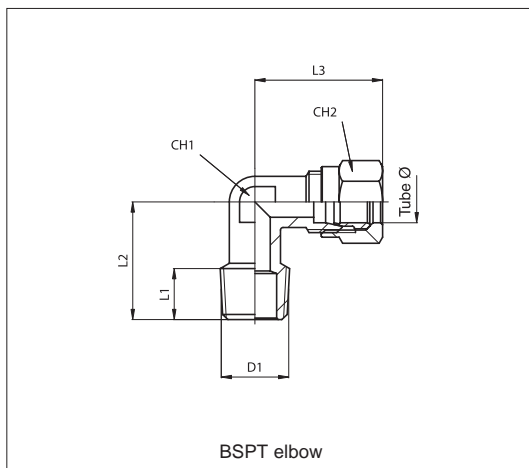
Code	Item	Tube Ø	D1	L1	L2	CH1	CH2
022061	O 26 06 08	6	8	18	38	12	12
022062	O 26 06 10	6	10	19	39	12	12
022063	O 26 08 10	8	10	19	41	14	12
022064	O 26 08 12	8	12	19	41	14	14



Code	Item	Tube Ø	D1	L1	L2	CH1
022041	O 24 04 18	4	1/8"	8	19	14
022042	O 24 05 18	5	1/8"	8	22	14
022043	O 24 06 18	6	1/8"	8	22	14
022044	O 24 06 14	6	1/4"	10	22	17
022045	O 24 08 18	8	1/8"	8	23	14
022046	O 24 08 14	8	1/4"	10	23	17
022047	O 24 10 14	10	1/4"	10	27	17
022048	O 24 10 38	10	3/8"	10	27	22
022049	O 24 12 38	12	3/8"	10	27	22
022050	O 24 12 12	12	1/2"	12	27	27



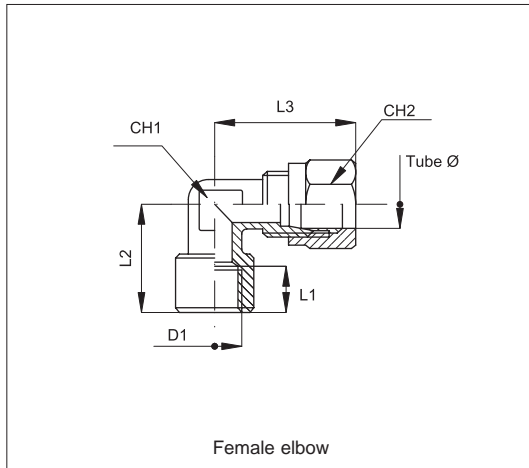
Code	Item	Tube Ø	L	CH1	CH2
021811	O 15 04 04	4	57	10	12
021812	O 15 05 05	5	60	12	14
021813	O 15 06 06	6	60	12	14
021814	O 15 08 08	8	62	14	17
021815	O 15 10 10	10	72	19	19
021816	O 15 12 12	12	75	22	22
021817	O 15 15 15	15	79	27	27



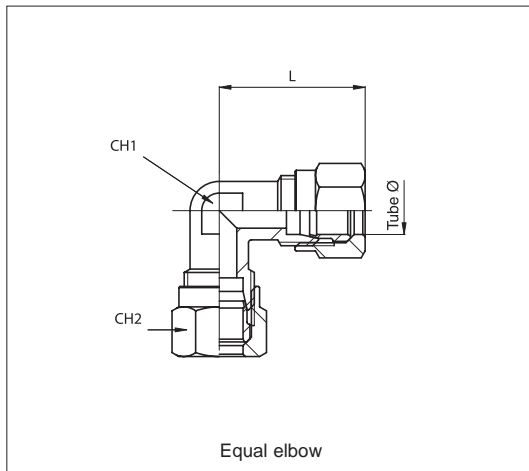
Code	Item	Tube Ø	D1	L1	L2	L3	CH1	CH2
021831	O 16 04 18	4	1/8"	8	17	22	7	10
021832	O 16 05 18	5	1/8"	8	17	23	9	12
021833	O 16 06 18	6	1/8"	8	17	23	9	12
021834	O 16 06 14	6	1/4"	12	21	23	9	12
021835	O 16 08 18	8	1/8"	8	20	25	12	14
021836	O 16 08 14	8	1/4"	12	23	25	12	14
021837	O 16 10 14	10	1/4"	12	25	33	14	19
021838	O 16 10 38	10	3/8"	12	27	33	14	19
021839	O 16 12 38	12	3/8"	12	28	35	17	22
021840	O 16 12 12	12	1/2"	14	30	35	17	22
021841	O 16 15 12	15	1/2"	14	31	39	19	27

Compression fittings series O

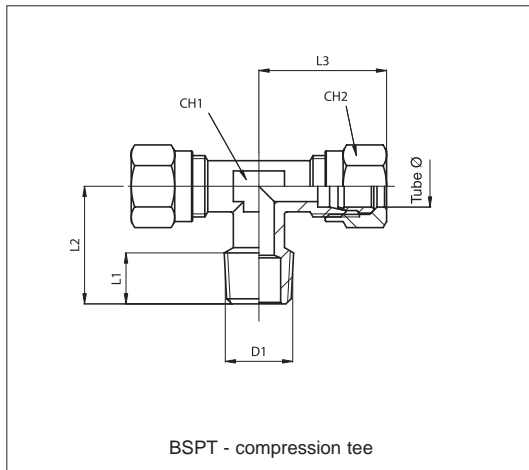
In nickel plated brass



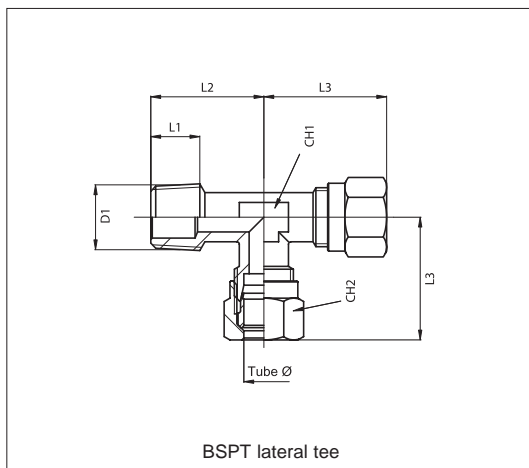
Code	Item	Tube Ø	D1	L1	L2	L3	CH1	CH2
022071	O 27 04 18	4	1/8"	8	20	22	9	10
022072	O 27 06 18	6	1/8"	8	20	24,5	9	12
022073	O 27 06 14	6	1/4"	11	25,5	27	13	12
022074	O 27 08 18	8	1/8"	8	20	24	11	14
022075	O 27 08 14	8	1/4"	11	25,5	27,5	13	14



Code	Item	Tube Ø	L	CH1	CH2
021861	O 17 04 04	4	22	7	10
021862	O 17 05 05	5	23	9	12
021863	O 17 06 06	6	23	9	12
021864	O 17 08 08	8	25	12	14
021865	O 17 10 10	10	33	14	19
021866	O 17 12 12	12	35	17	22
021867	O 17 15 15	15	39	19	27



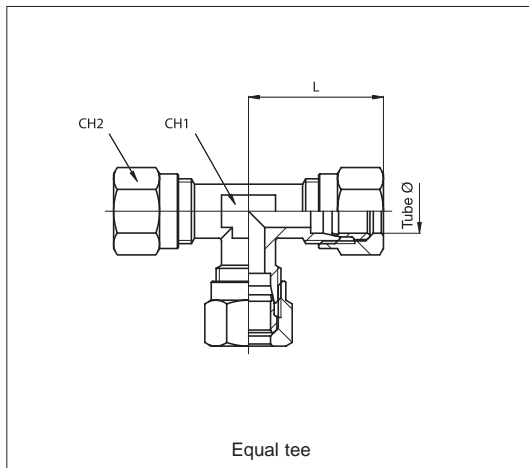
Code	Item	Tube Ø	D1	L1	L2	L3	CH1	CH2
021911	O 19 04 18	4	1/8"	8	17	22	7	10
021912	O 19 05 18	5	1/8"	8	17	23	9	12
021913	O 19 06 18	6	1/8"	8	17	23	9	12
021914	O 19 06 14	6	1/4"	12	21	23	9	12
021915	O 19 08 18	8	1/8"	8	20	25	12	14
021916	O 19 08 14	8	1/4"	12	23	25	12	14
021917	O 19 10 14	10	1/4"	12	25	33	14	19
021918	O 19 10 38	10	3/8"	12	27	33	14	19
021919	O 19 12 38	12	3/8"	12	28	35	17	22
021920	O 19 12 12	12	1/2"	14	30	35	17	22
021921	O 19 15 12	15	1/2"	14	31	39	19	27



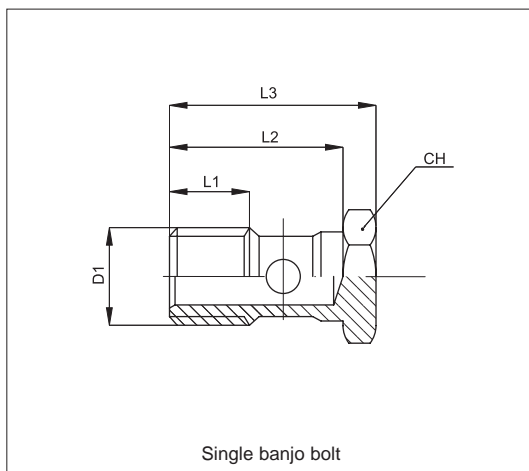
Code	Item	Tube Ø	D1	L1	L2	L3	CH1	CH2
021941	O 20 04 18	4	1/8"	8	17	22	7	10
021942	O 20 05 18	5	1/8"	8	17	23	9	12
021943	O 20 06 18	6	1/8"	8	17	23	9	12
021944	O 20 06 14	6	1/4"	12	21	23	9	12
021945	O 20 08 18	8	1/8"	8	20	25	12	14
021946	O 20 08 14	8	1/4"	12	23	25	12	14
021947	O 20 10 14	10	1/4"	12	25	33	14	19
021948	O 20 10 38	10	3/8"	12	27	33	14	19
021949	O 20 12 38	12	3/8"	12	28	35	17	22
021950	O 20 12 12	12	1/2"	14	30	35	17	22
021951	O 20 15 12	15	1/2"	14	31	39	19	27

Compression fittings series O

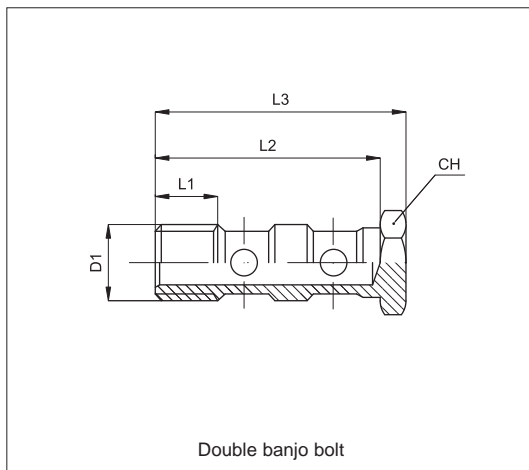
In nickel plated brass



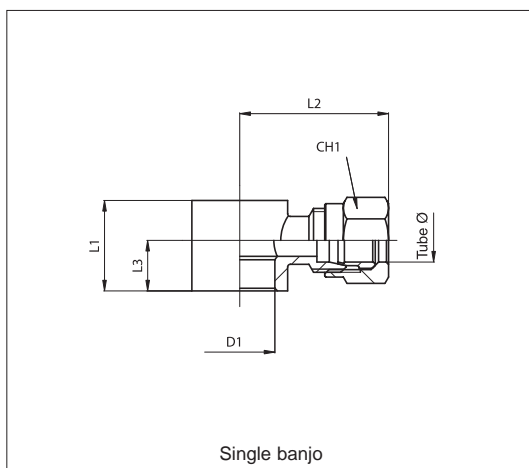
Code	Item	Tube Ø	L	CH1	CH2
021881	O 18 04 04	4	22	7	10
021882	O 18 05 05	5	23	9	12
021883	O 18 06 06	6	23	9	12
021884	O 18 08 08	8	25	12	14
021885	O 18 10 10	10	33	14	19
021886	O 18 12 12	12	35	17	22
021887	O 18 15 15	15	39	19	27



Code	Item	D1	L1	L2	L3	CH
020682	C 25 00 18	1/8"	8	23	27	14
020683	C 25 00 14	1/4"	11	25	29,5	17



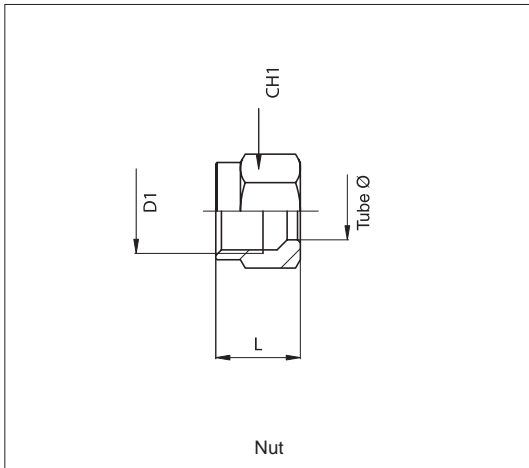
Code	Item	D1	L1	L2	L3	CH
020696	C 26 00 18	1/8"	8	39	43	14
020697	C 26 00 14	1/4"	11	41	45,5	17



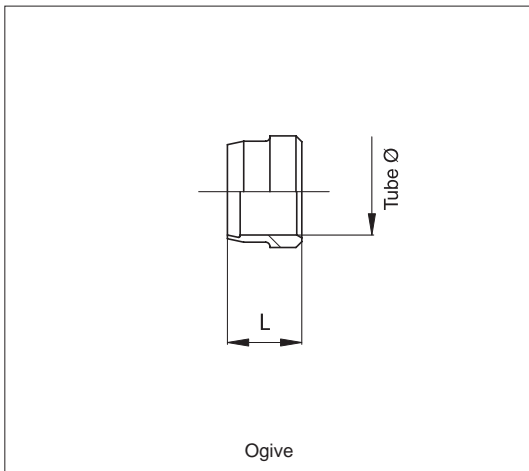
Code	Item	Tube Ø	D1	L1	L2	L3	CH1
022056	O 25 06 18	6	10	15	26	9	12
022057	O 25 06 14	6	13,2	17	28	9,5	12
022058	O 25 08 18	8	10	15	27	9	12
022059	O 25 08 14	8	13,2	17	29	9,5	14

Compression fittings series O

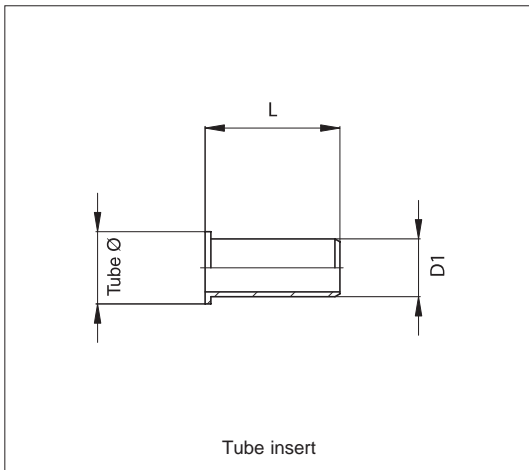
In nickel plated brass



Code	Item	Tube Ø	D1	L	CH1
021971	O 21 04 08	4	8x1	11	10
021972	O 21 05 10	5	10x1	11,5	12
021973	O 21 06 10	6	10x1	11,5	12
021974	O 21 08 12	8	12x1	12	14
021975	O 21 10 16	10	16x1,5	15,5	19
021976	O 21 12 18	12	18x1,5	15,5	22
021977	O 21 15 22	15	22x1,5	17	27



Code	Item	Tube Ø	L
021991	O 22 04 65	4	6,5
021992	O 22 05 75	5	7,5
021993	O 22 06 75	6	7,5
021994	O 22 08 75	8	7,5
021995	O 22 10 95	10	9,5
021996	O 22 12 95	12	9,5
021997	O 22 15 10	15	10



Code	Item	Tube Ø	D1	L
022011	O 23 06 12	6	4	12
022012	O 23 08 14	8	6	14
022013	O 23 10 16	10	8	16
022014	O 23 12 18	12	10	18
022015	O 23 15 20	15	12	20
022016	O 23 04 10	4	2,5	10