

# Push-in fittings series R/150 (150 bar)

## In nickel plated brass



Version	Type
BSP stud	R11/150
BSPT elbow	R14/150
BSPT swivel elbow	R15/150



Series of push-in fittings for specific use in the lubrication field: they can be used up to a maximum pressure of 150 bar.

External tube (mm)	4	5
Code	04	06

Threads	M6x1	M8x1	M10x1	1/8"	1/4"
Code	M6x1	M8x1	M10x1	18	14

How to order: R110618/150

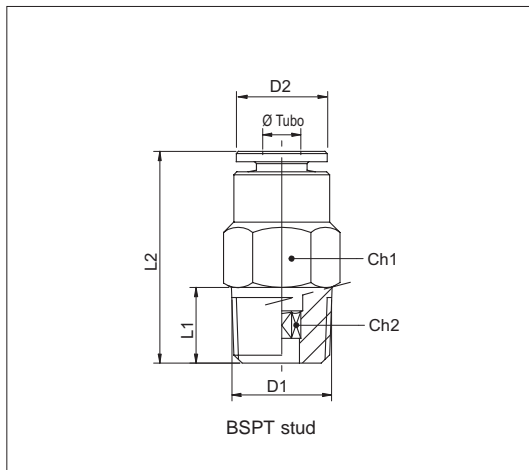
R11	06	18	/150
Type	Tube Ø code	Thread code	Maximum pressure

For standard items, codes and dimensions see tables from page 4.3.2

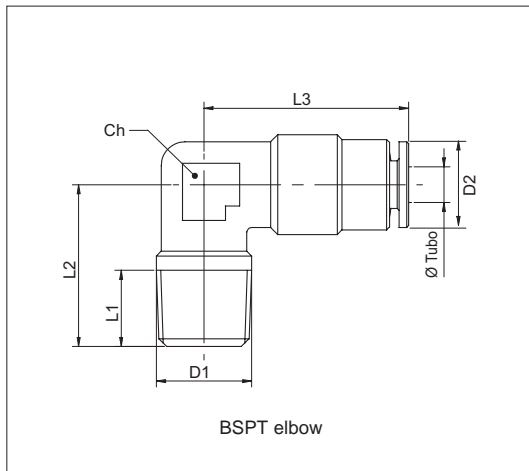
Technical data	
Fluid	Compressed air
Pressure range	max 150 bar
Temperature range	-20 °C ÷ + 70°C
Taper threads	UNI - ISO 7 / 1 (BSPT)
Metric threads	ISO R / 262
Connection tubes	Nylon 6-6 (per Ø 4 = 4x1,5, per Ø 6 = 6x3)
Tube tolerances	± 0,05 mm
Materials	Body and release collar: Nickel plated brass Metal thread: Nickel plated brass Collet: Brass Seals: NBR

# Push-in fittings series R/150 (150 bar)

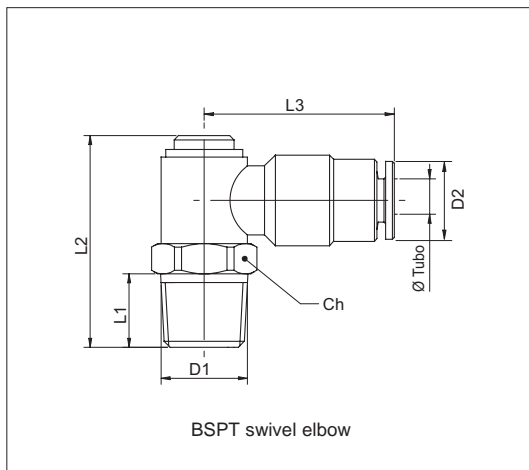
## In nickel plated brass



Code	Item	Tube Ø	D <sub>1</sub>	D <sub>2</sub>	L <sub>1</sub>	L <sub>2</sub>	CH <sub>1</sub>	CH <sub>2</sub>
020021	R 11 04 18 / 150	4	R1/8	9,5	7,5	27	10	3
020019	R 11 04 M6x1 / 150	4	M6x1	9,5	8	25	10	2,5
020024	R 11 04 M8x1 / 150	4	M8x1	9,5	8	22,5	10	3
020025	R 11 04 M10x1 / 150	4	M10x1	9,5	8	21	11	3
020026	R 11 06 18 / 150	6	R1/8	11,5	7,5	24	12	4
020119	R 11 06 14 / 150	6	R1/4	11,5	11	26	14	4
020028	R 11 06 M6x1 / 150	6	M6x1	11,5	8	28	12	2,5
020018	R 11 06 M8x1 / 150	6	M8x1	11,5	8	28	12	4
020080	R 11 06 M10x1 / 150	6	M10x1	11,5	8	24,5	12	4



Code	Item	Tube Ø	D <sub>1</sub>	D <sub>2</sub>	L <sub>1</sub>	L <sub>2</sub>	CH <sub>1</sub>	CH <sub>2</sub>
020020	R 14 04 18 / 150	4	R1/8	9,5	7,5	17	21,5	10
020022	R 14 04 M6x1 / 150	4	M6x1	9,5	6	17	21,5	10
020055	R 14 04 M8x1 / 150	4	M8x1	9,5	8	17	21,5	10
020056	R 14 04 M10x1 / 150	4	M10x1	9,5	8	18	21,5	10
020057	R 14 06 18 / 150	6	R1/8	11,5	7,5	20	24	14
020058	R 14 06 M6x1 / 150	6	M6x1	11,5	6	20	24	14
020059	R 14 06 M8x1 / 150	6	M8x1	11,5	8	20	24	14
020060	R 14 06 M10x1 / 150	6	M10x1	11,5	8	21	24	14



Code	Item	Tube Ø	D <sub>1</sub>	D <sub>2</sub>	L <sub>1</sub>	L <sub>2</sub>	CH <sub>1</sub>	CH <sub>2</sub>
020070	R 15 04 18 / 150	4	R1/8	9,5	7,5	24,5	22	11
020072	R 15 04 M6x1 / 150	4	M6x1	9,5	8	24	22	11
020089	R 15 04 M8x1 / 150	4	M8x1	9,5	8	24	22	11
020074	R 15 04 M10x1 / 150	4	M10x1	9,5	8	25	22	11
020075	R 15 06 18 / 150	6	R1/8	11,5	7,5	24,5	24	11
020120	R 15 06 14 / 150	6	R1/4	11,5	11	28	24	14
020077	R 15 06 M6x1 / 150	6	M6x1	11,5	8	24	24	11
020078	R 15 06 M8x1 / 150	6	M8x1	11,5	8	24	24	11
020079	R 15 06 M10x1 / 150	6	M10x1	11,5	8	25	24	11