

Standard executions		
Version	Symbol	Type
Non magnetic (from 32 to 100)		CX
Magnetic (from 25 to 200)		CM



For reed switches ASV see page 1.110.1
 For mounting accessories see from page 1.99.1
 For rod accessories see from page 1.85.10.



On request, they can be supplied according to 2014/34/EU - ATEX

Series of cylinders conforming to CNOMO standards. They are provided with a round barrel and external tie rods for the bores from 25 to 200 mm.

The standard cylinders are provided with adjustable cushionings at both ends.

Options	Suffix
Through rod	P
Rod INOX AISI 304	K
Seals FKM -20°C ÷ +150°C	V
Scraper ring only FKM -20°C ÷ +80°C	V1
Tandem forward movement piston rods coupled together	TA1
Tandem forward movement piston rods independent	TA2
Tandem back to back	TA3
Tandem front to front	TA4
Special length of front tie-rods (indicate the requested length. Ex: T1 = 25). The thread will remain standard	T1
Special length of rear tie-rods (indicate the requested length. Ex: T2 = 25). The thread will remain standard	T2
Special on request	/S
Without adjustable cushionings	D
Adjustable rear cushioning only	D1
Adjustable front cushioning only	D2

The options can be combined (when this is possible). The suffix of the options are to be added to the model number of the standard product, as shown in the following table.

How to order: 50/200CXV

50	/	200	CX	V
Bore	/	Stroke	Type	Option

How to order: 50 / SG / CX

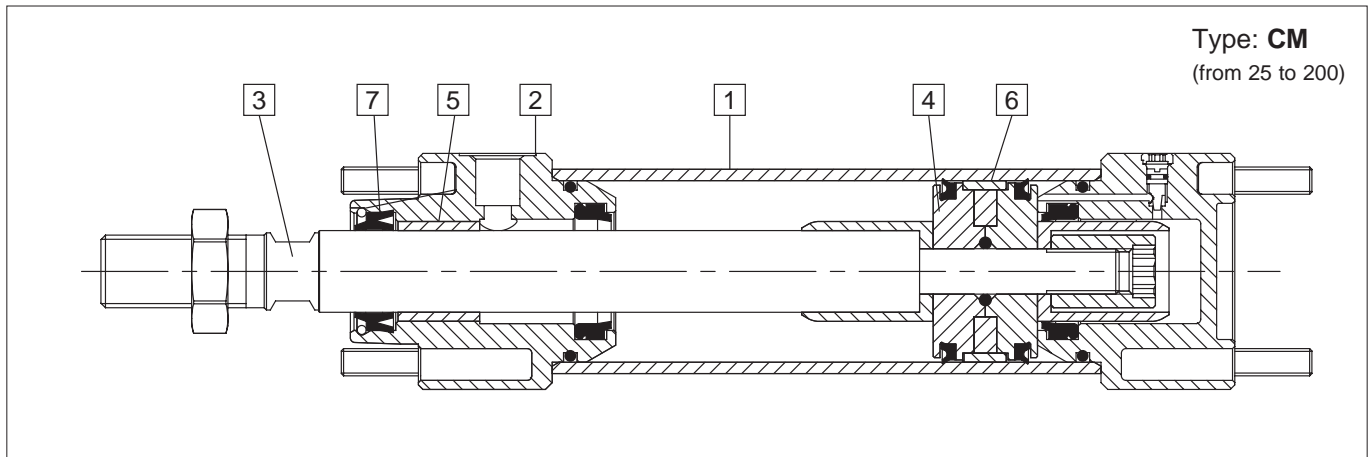
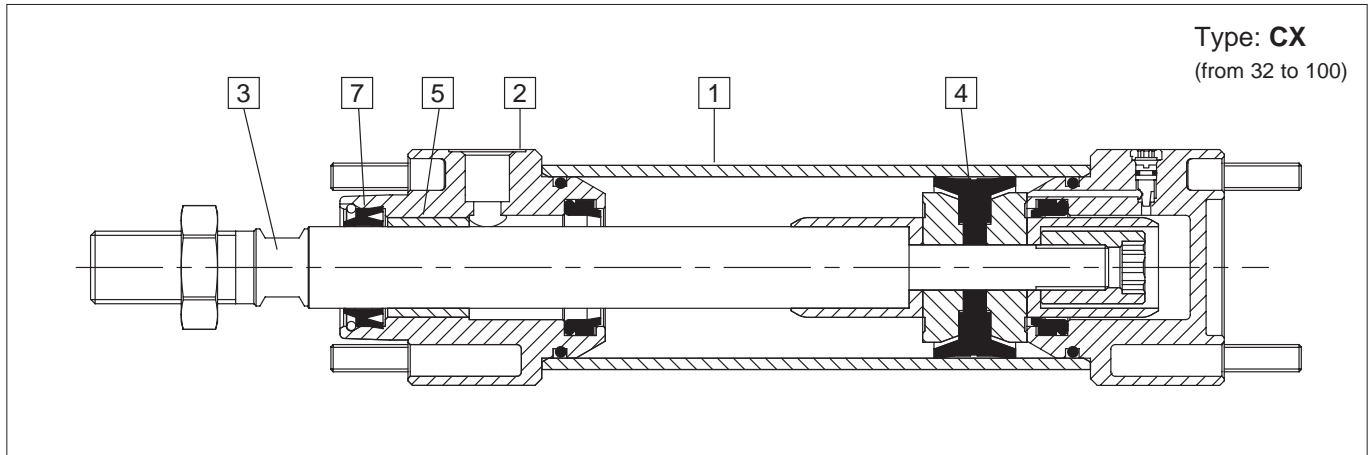
50	/	SG	/	CX
Bore	/	Seal kit	/	Type

How to order: 50 / SG / CM

50	/	SG	/	CM
Bore	/	Seal kit	/	Type

Seals kits	
n. 1	Rod seal
n. 2	Cushioning seal
n. 1	Piston monobloc
n. 2	Tube O-ring
n. 2	O-ring for cushioning screw
n. 2	O-ring to seal two semi-pistons

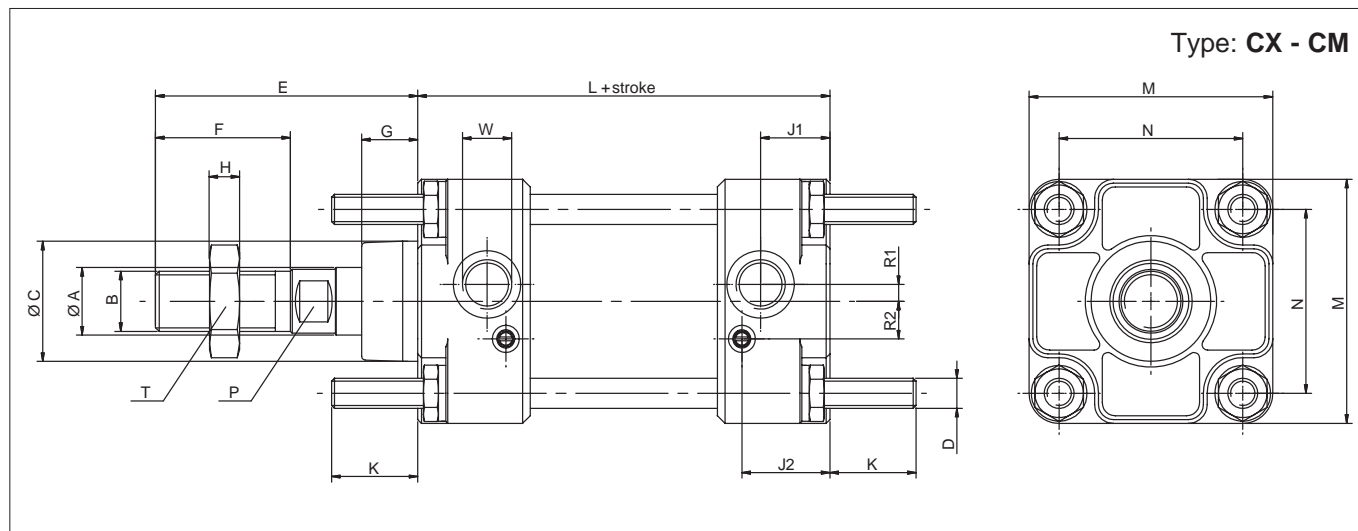
Seals kits	
n. 1	Rod seal
n. 2	Cushioning seal
n. 2	Piston lip-seal
n. 2	Tube O-ring
n. 1	Piston guiding ring
n. 2	O-ring for cushioning screw
n. 2	O-ring to seal two semi-pistons



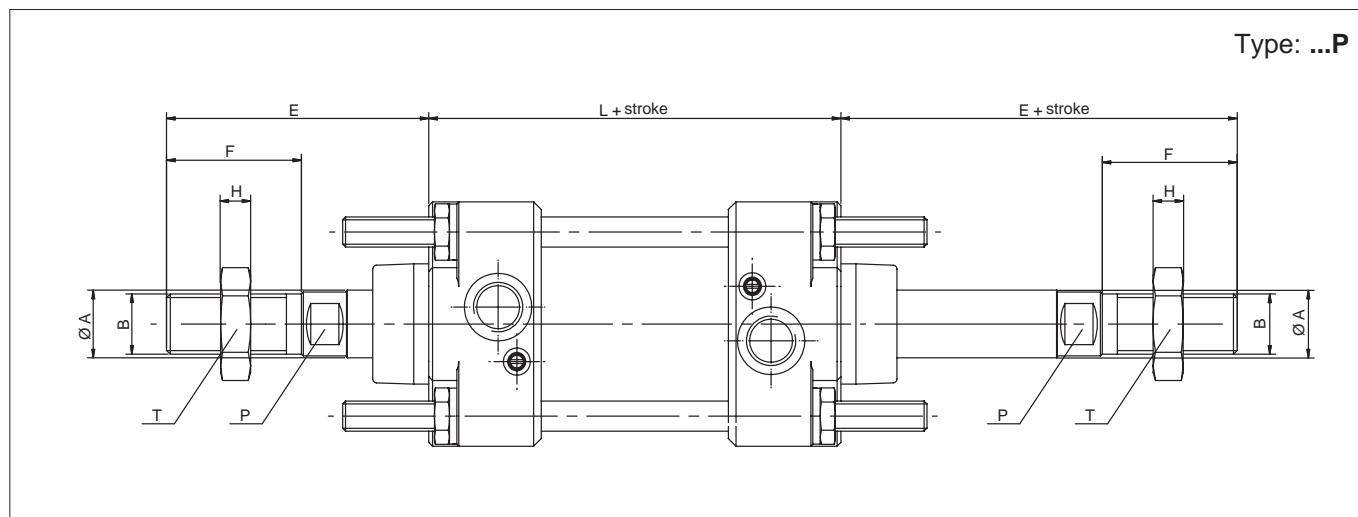
See page 1.1.3 to calculate the cylinder force.

Materials (standard types)	
1 Tube	Anodised aluminium
2 Heads	Die-cast painted aluminium
3 Rod	Chrome-plated steel C45
4 Piston	CX: Monobloc (from 32 to 100) - CM: Aluminium (from 25 to 200)
5 Bushing	Self-lubricating sintered bronze
6 Guide ring	Natural Delrin (CM)
7 Rod seals	NBR
Other seals	Nitrile rubber NBR/polyurethane

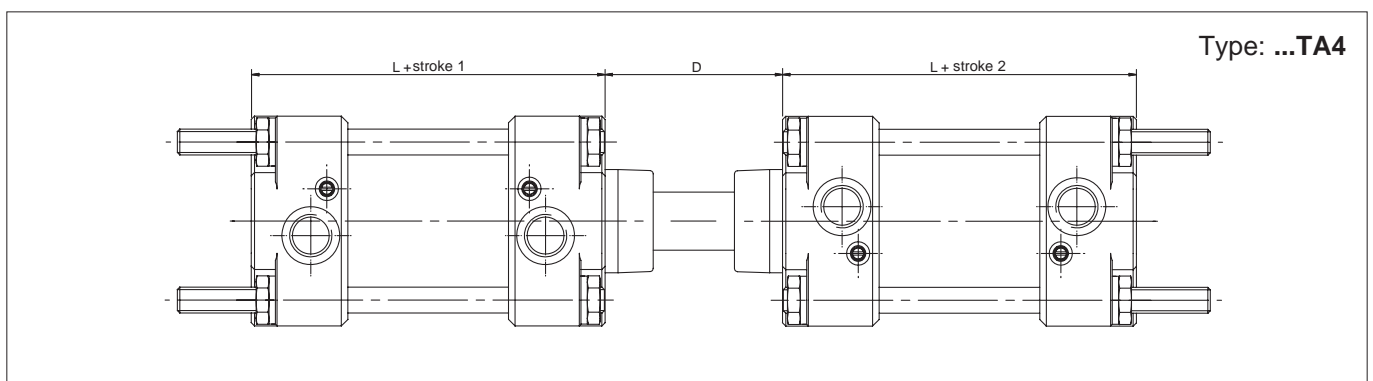
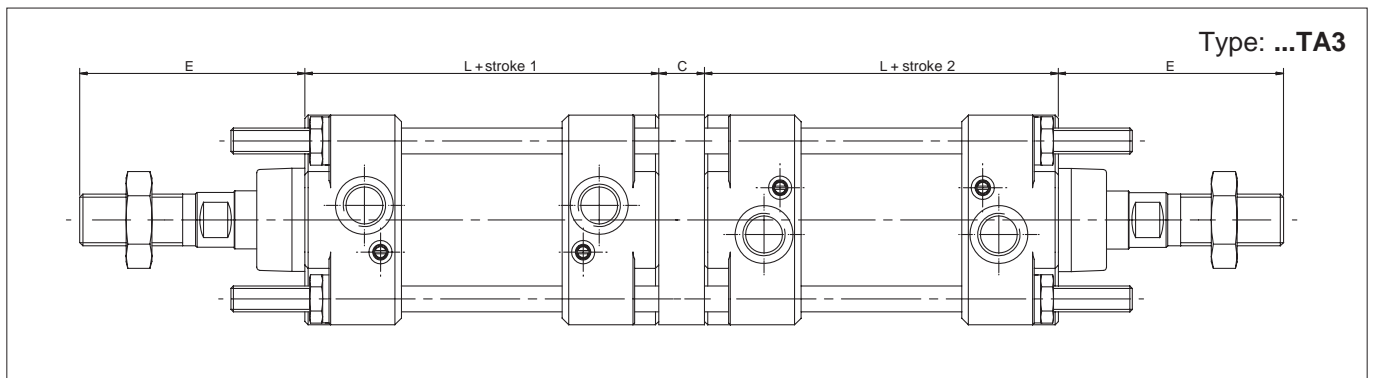
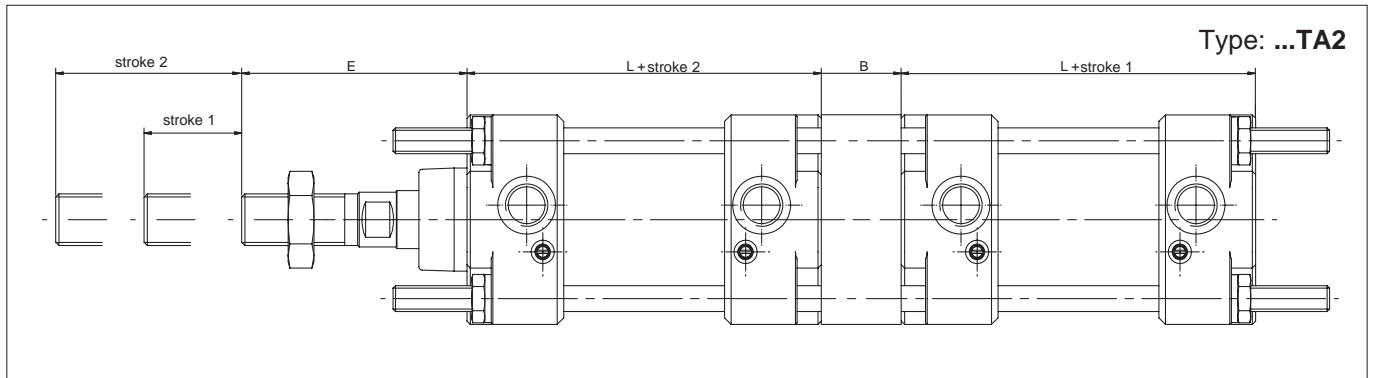
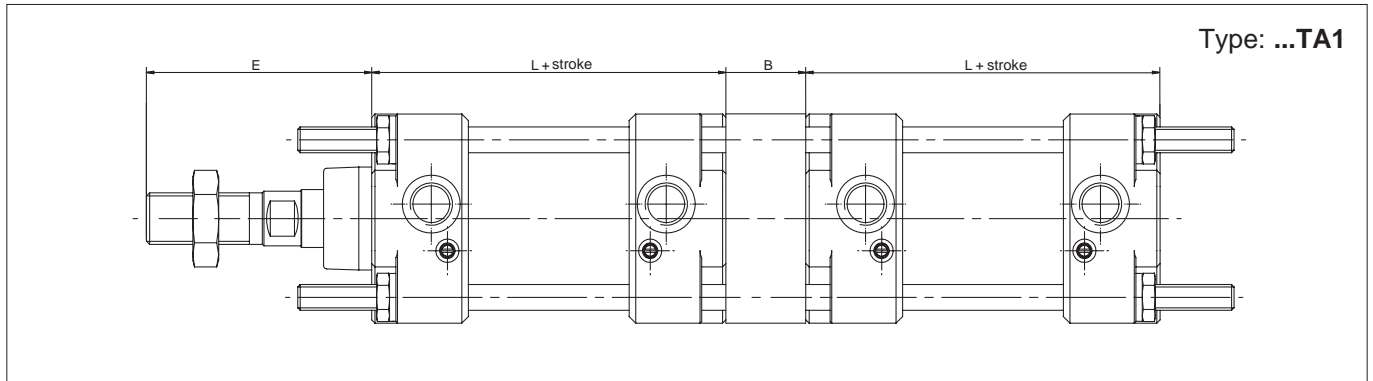
Technical data											
Bore (mm)	25	32	40	50	63	80	100	125	160	200	
Fluid	Compressed filtered air with or without lubrication. Lubrication, if started, must be continued.										
Pressure	1 ÷ 10 bar										
Temperature range	-20°C ÷ +80°C (standard /V1)					-20°C ÷ +150°C (V)					
Stroke	from 10 mm to 2500 mm										
Cushion length	21	21	28	28	34	34	38	27	40	40	
Weight	Stroke zero (g)	377	453	842	1231	1962	2867	4772	6146	12846	16175
	Additional 10 mm stroke (g)	22	24	35	50	60	76	107	135	232	249



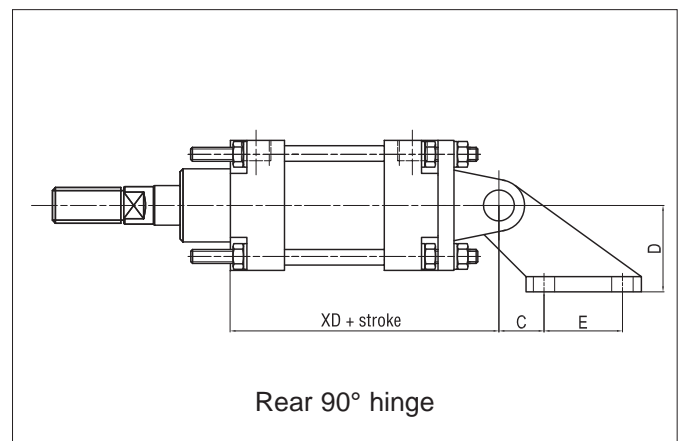
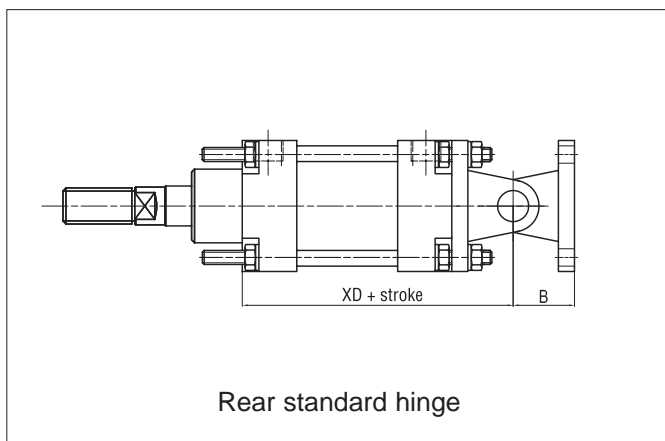
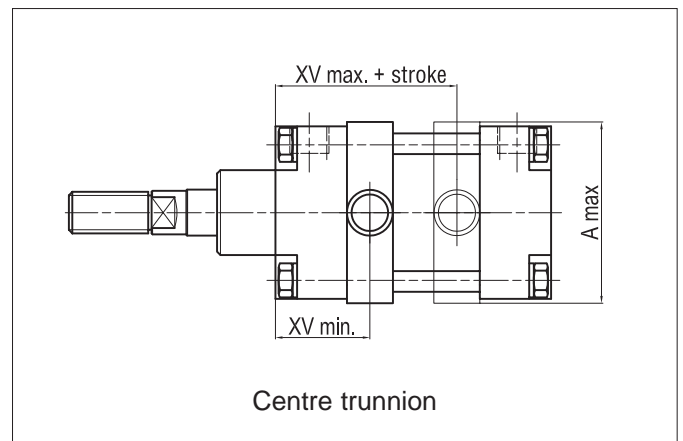
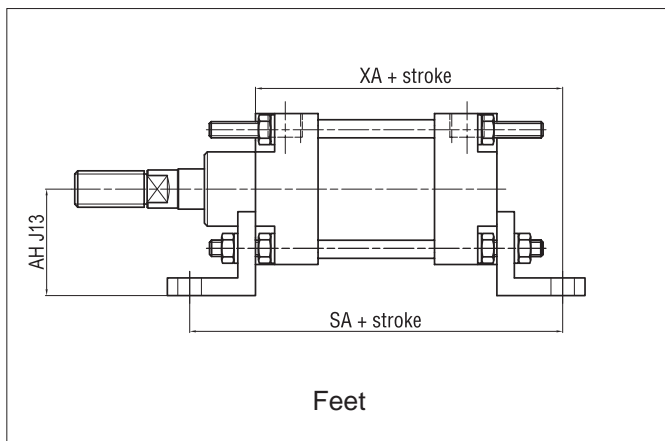
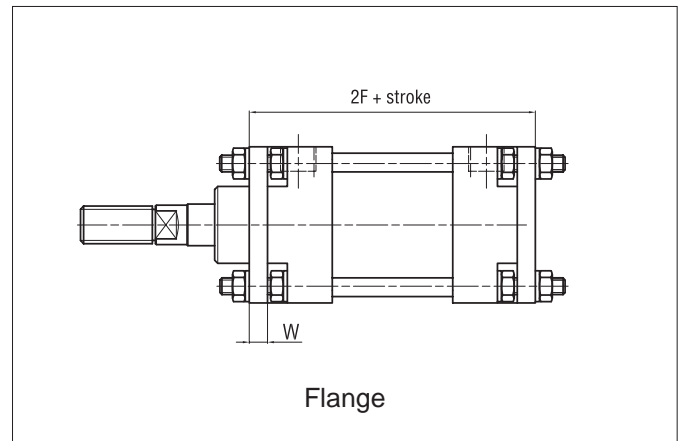
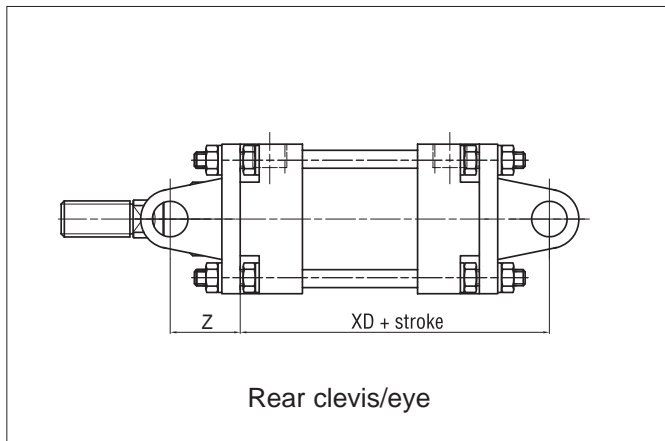
Ø (mm)	Ø A f7	B	Ø C e9	E	F	G	L ± 1	P	T	H	D	K	W	M	N	J1	J2	R1	R2
25	12	M10x1,5	25	45	20	15	80	8	17	6	M6	17	1/8"	40	28	7	11	0.75	7,5
32	12	M10x1,5	25	45	20	15	80	8	17	6	M6	17	1/8"	45	33	15	16,5	6	8
40	18	M16x1,5	32	70	36	15	110	13	24	8	M6	17	1/4"	52	40	17,5	23	3	11
50	18	M16x1,5	32	70	36	15	110	13	24	8	M8	23	1/4"	65	49	18,5	23,5	4,5	10
63	22	M20x1,5	45	85	46	20	125	17	30	9	M8	23	3/8"	75	59	19	23	4,5	14
80	22	M20x1,5	45	85	46	20	125	17	30	9	M10	28	3/8"	95	75	22	25	8	13
100	30	M27x2	55	110	63	20	145	22	41	12	M10	28	1/2"	115	90	26	31	12	10
125	30	M27x2	55	110	63	20	145	22	41	12	M12	34	1/2"	140	110	-	-	-	-
160	40	M36x2	65	135	85	25	180	32	54	14	M16	42	3/4"	180	140	-	-	-	-
200	40	M36x2	65	135	85	25	180	32	54	14	M16	42	3/4"	220	175	-	-	-	-



Ø (mm)	Ø A f7	B	E	F	L ± 1	P	T	H
25	12	M10x1,5	45	20	90	8	17	6
32	12	M10x1,5	45	20	90	8	17	6
40	18	M16x1,5	70	36	129	13	24	8
50	18	M16x1,5	70	36	129	13	24	8
63	22	M20x1,5	85	46	143	17	30	9
80	22	M20x1,5	85	46	143	17	30	9
100	30	M27x2	110	63	164	22	41	12
125	30	M27x2	110	63	164	22	41	12
160	40	M36x2	135	85	200	32	54	14
200	40	M36x2	135	85	200	32	54	14



Ø	E	L	B	C	D
25	45	80	30	5	36
32	45	80	30	5	38
40	70	110	30	8	40
50	70	110	30	8	47
63	85	125	40	10	59
80	85	125	40	10	62
100	110	145	40	15	55
125	110	145	40	15	80
160	135	180	50	20	102
200	135	180	50	20	87



For dimensions and codes of the accessories see page 1.99.1.

Ø mm	A max	AH	B	C	D	E	SA	W	XA	XD	XV min	XV max	2F	Z
32	46	32	18	18	32	20	134	8	107	98	32,5	47,5	96	18
40	58	36	26	25	45	32	164	8	137	134	41	69	126	24
50	68	45	26	25	45	32	180	10	145	138	45	65	130	26
63	84	45	34	32	63	50	195	10	160	155	52,5	72,5	145	35
80	102	63	34	32	63	50	211	12	168	157	52,5	72,5	149	32
100	124	73	41	40	90	70	231	12	188	182	57	88	169	34
125	152	91	41	40	90	70	249	15	197	186	58	87	175	41
160	190	115	55	50	140	110	304	20	242	235	67	113	220	55
200	250	135	55	50	140	110	304	20	242	235	68	112	220	55