

Standard executions

Version	Symbol	Tipo
With rear connection		M
With in-line connection		MR
With rear connection and flange (3 holes)		MF
With rear connection and panel bracket		MP

Dial Ø	40	50	63
Code	40	50	63

Connection	1/8"	1/4"
Code	A	B

Standard scales (bar)	-1 ÷ 0	0 ÷ 1	0 ÷ 2,5	0 ÷ 4	0 ÷ 6	0 ÷ 10	0 ÷ 12



Series of dry pressure-gauges available in various versions and scales.

Suitable to measure pressure in pneumatic installations.

* How to order: M40A0 ÷ 12

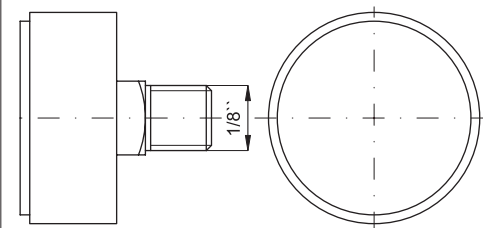
M	40	A	0 ÷ 12
Type	Dial code	Connection code	Scale

* For standard items, codes and dimensions see table from page 3.50.2.

Technical data

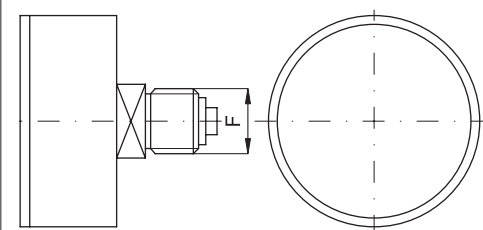
Fluid	Compressed air			
Pressure	Constant: till 3/4 of the full scale			
	Variable: within 2/3 of the full scale			
	Pulsed: till the full scale			
Temperature range	-20 °C ÷ + 60°C			
Protection degree	IP41			
Precision	Class CI 1.6			
Threads	UNI-ISO 7/1 (BSPT)			
Materials		Type: M-MR	Type: MF	Type: MP
	Housing	Black ABS	Chrome plated steel Black painted steel	Chrome plated steel
	Screen	Kostil		
	Connection	Brass OT58		
	Elastic element	Tubular spring in copper alloy		
	Movement	Brass		
	Dial	White ABS with double scale (black = bar; red = PSI)		
	Welding	Sn/Pb alloy		

Type: M40A



Code	Item	Scale (bar)
028501	M40A-1÷0	-1 ÷ 0
028601	M40A0÷1	0 ÷ 1
028651	M40A0÷2,5	0 ÷ 2,5
028701	M40A0÷4	0 ÷ 4
028801	M40A0÷6	0 ÷ 6
028851	M40A0÷10	0 ÷ 10
028901	M40A0÷12	0 ÷ 12

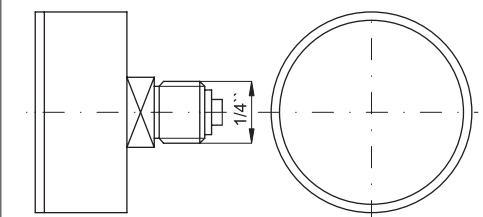
Type: M50



Code	Item	Scale (bar)	F
028502	M50A-1÷0	-1 ÷ 0	1/8"
028602	M50A0÷1	0 ÷ 1	
028900	M50A0÷2,5	0 ÷ 2,5	
028702	M50A0÷4	0 ÷ 4	
028802	M50A0÷6	0 ÷ 6	
028915	M50A0÷10	0 ÷ 10	
028902	M50A0÷12	0 ÷ 12	

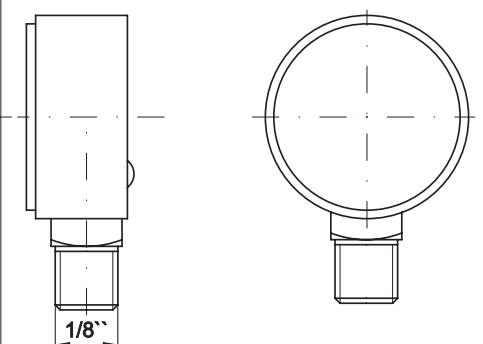
Code	Item	Scale (bar)	F
028925	M50B-1÷0	-1 ÷ 0	1/4"
028972	M50B0÷1	0 ÷ 1	
028994	M50B0÷2,5	0 ÷ 2,5	
028917	M50B0÷4	0 ÷ 4	
028992	M50B0÷6	0 ÷ 6	
028993	M50B0÷10	0 ÷ 10	
028913	M50B0÷12	0 ÷ 12	

Type: M63B



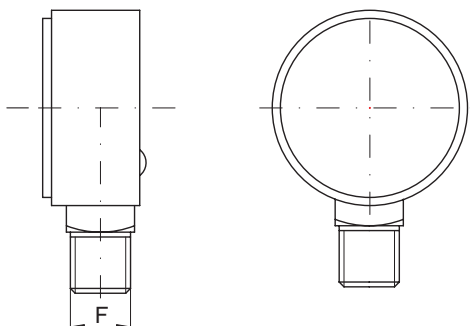
Code	Item	Scale (bar)
028503	M63B-1÷0	-1 ÷ 0
028603	M63B0÷1	0 ÷ 1
028995	M63B0÷2,5	0 ÷ 2,5
028703	M63B0÷4	0 ÷ 4
028803	M63B0÷6	0 ÷ 6
028996	M63B0÷10	0 ÷ 10
028903	M63B0÷12	0 ÷ 12

Type: MR40A



Code	Item	Scale (bar)
028504	MR40A-1÷0	-1 ÷ 0
028604	MR40A0÷1	0 ÷ 1
028654	MR40A0÷2,5	0 ÷ 2,5
028704	MR40A0÷4	0 ÷ 4
028804	MR40A0÷6	0 ÷ 6
028997	MR40A0÷10	0 ÷ 10
028904	MR40A0÷12	0 ÷ 12

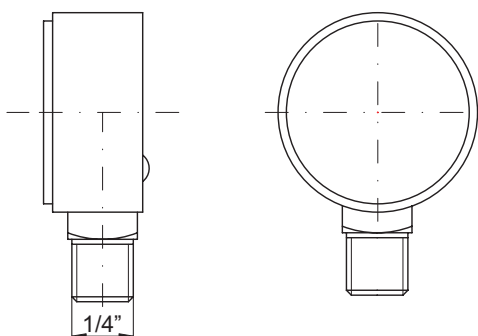
Type: **MR50**



Code	Item	Scale (bar)	F
028505	MR50A -1÷0	-1 ÷ 0	1/8"
028605	MR50A0÷1	0 ÷ 1	
028998	MR50A0÷2,5	0 ÷ 2,5	
028705	MR50A0÷4	0 ÷ 4	
028805	MR50A0÷6	0 ÷ 6	
028999	MR50A0÷10	0 ÷ 10	
028914	MR50A0÷12	0 ÷ 12	

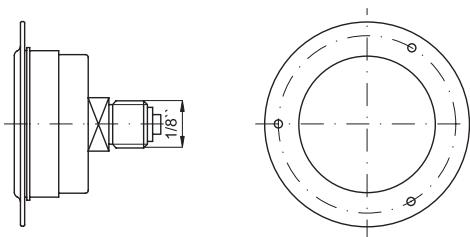
Code	Item	Scale (bar)	F
029000	MR50B -1÷0	-1 ÷ 0	1/4"
029007	MR50B0÷1	0 ÷ 1	
029008	MR50B0÷2,5	0 ÷ 2,5	
028976	MR50B0÷4	0 ÷ 4	
028977	MR50B0÷6	0 ÷ 6	
029009	MR50B0÷10	0 ÷ 10	
028905	MR50B0÷12	0 ÷ 12	

Type: **MR63B**



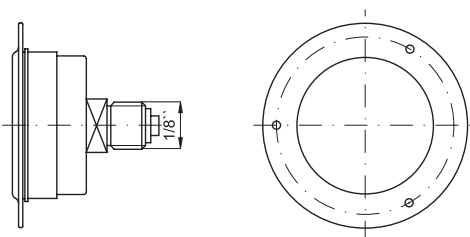
Code	Item	Scale (bar)
028506	MR63B-1÷0	-1 ÷ 0
028606	MR63B0÷1	0 ÷ 1
028656	MR63B0÷2,5	0 ÷ 2,5
028706	MR63B0÷4	0 ÷ 4
028806	MR63B0÷6	0 ÷ 6
029011	MR63B0÷10	0 ÷ 10
028906	MR63B0÷12	0 ÷ 12

Type: **MF40A**



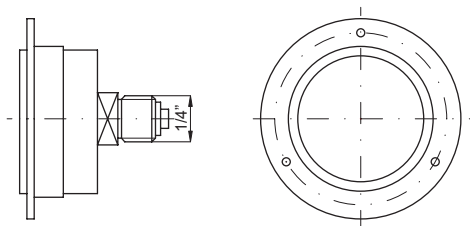
Code	Item	Scale (bar)
028510	MF40A-1÷0	-1 ÷ 0
028610	MF40A0÷1	0 ÷ 1
028663	MF40A0÷2,5	0 ÷ 2,5
028710	MF40A0÷4	0 ÷ 4
028810	MF40A0÷6	0 ÷ 6
029012	MF40A0÷10	0 ÷ 10
028910	MF40A0÷12	0 ÷ 12

Type: **MF50A**



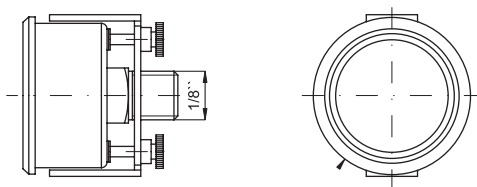
Code	Item	Scale (bar)
029013	MF50A-1÷0	-1 ÷ 0
028611	MF50A0÷1	0 ÷ 1
029014	MF50A0÷2,5	0 ÷ 2,5
028711	MF50A0÷4	0 ÷ 4
028811	MF50A0÷6	0 ÷ 6
028911	MF50A0÷12	0 ÷ 12

Type: MF63B



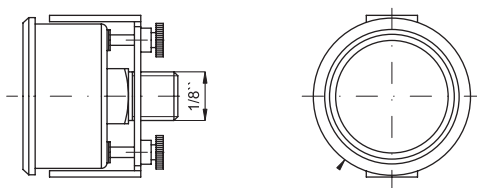
Code	Item	Scale (bar)
028512	MF63B-1÷0	-1 ÷ 0
028612	MF63B0÷1	0 ÷ 1
028662	MF63B0÷2,5	0 ÷ 2,5
028712	MF63B0÷4	0 ÷ 4
028812	MF63B0÷6	0 ÷ 6
028862	MF63B0÷10	0 ÷ 10
028912	MF63B0÷12	0 ÷ 12

Type: MP40A



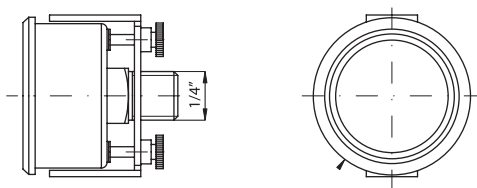
Code	Item	Scale (bar)
028507	MP40A-1÷0	-1 ÷ 0
028607	MP40A0÷1	0 ÷ 1
028713	MP40A0÷2,5	0 ÷ 2,5
028707	MP40A0÷4	0 ÷ 4
028807	MP40A0÷6	0 ÷ 6
029016	MP40A0÷10	0 ÷ 10
028907	MP40A0÷12	0 ÷ 12

Type: MP50A



Code	Item	Scale (bar)
028508	MP50A-1÷0	-1 ÷ 0
028608	MP50A0÷1	0 ÷ 1
029017	MP50A0÷2,5	0 ÷ 2,5
028708	MP50A0÷4	0 ÷ 4
028808	MP50A0÷6	0 ÷ 6
029018	MP50A0÷10	0 ÷ 10
028908	MP50A0÷12	0 ÷ 12

Type: MP63A



Code	Item	Scale (bar)
028509	MP63B-1÷0	-1 ÷ 0
028609	MP63B0÷1	0 ÷ 1
028613	MP63B0÷2,5	0 ÷ 2,5
028709	MP63B0÷4	0 ÷ 4
028809	MP63B0÷6	0 ÷ 6
028860	MP63B0÷10	0 ÷ 10
028909	MP63B0÷12	0 ÷ 12