

Standard executions			
Version	Symbol	Code	Item
Filter-regulator + lubricator		090100	A14FRRL
Filter-regulator		090101	A14FRR
Filter		090102	A14F
Regulator		090103	A14R
Lubricator		090104	A14L



Options	Suffix
Filter 5 μ cartridge	5
Metal cup	TM
With regulation range 0,5÷4 bar	04

Series of modular units with the following standard features :

- Regulators with relieving valve
- Filters standard with 25μ cartridge
- Filters with semi-automatic condensate drain
- Cup with protection

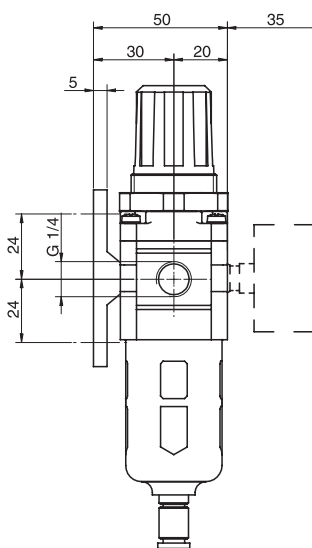
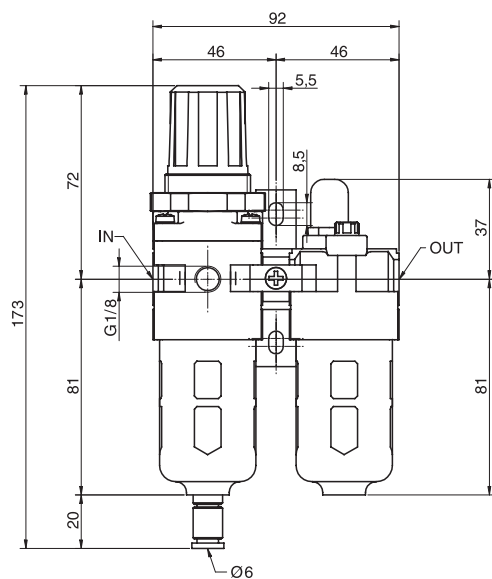
The gauges are to be ordered separately; for gauges see from page 3.50.1

For mounting accessories, assembling kits and spare parts see from page 3.5.1

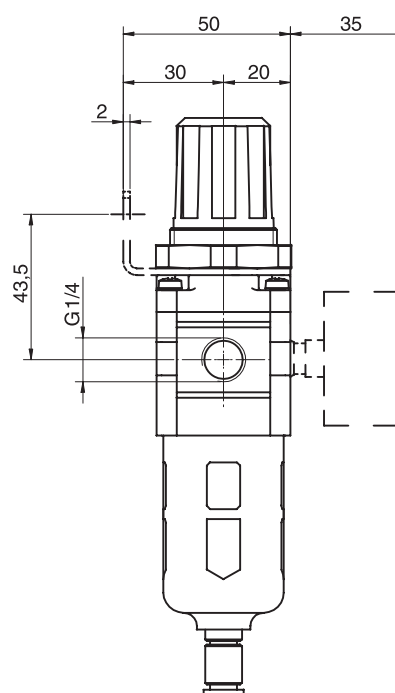
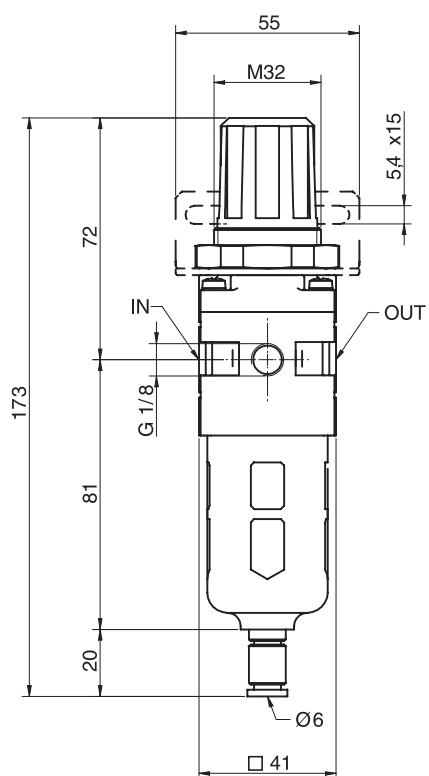
How to order: A14FRR5TM

A14FRR	5	TM
Version	Option	Option

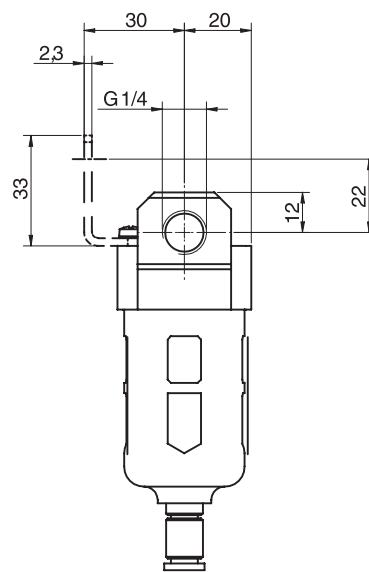
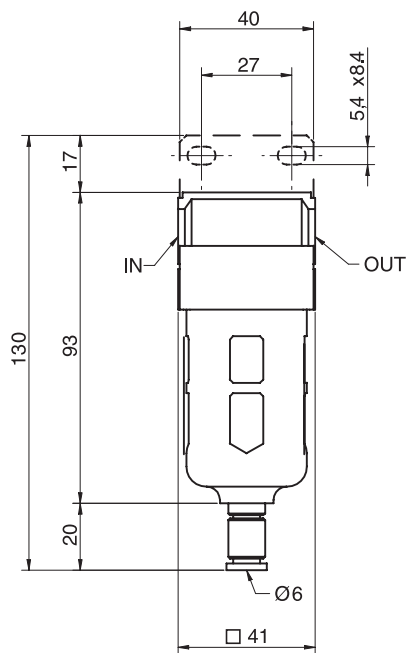
Technical data															
Fluid	Compressed air														
Maximum pressure	10 bar														
Regulation range	0,5 ÷ 8,5 bar														
Flow at 6 bar (NI/min)	A14FRRL = 500; A14FRR = 750; A14F = 750; A14R = 550; A14L = 800														
Temperature range	0 ÷ 60 °C														
Suggested oil	With ISO VG 32 viscosity conforming to ISO 3448 standards														
Cup capacity	Filter : 15 cm ³ Lubricator : 25 cm ³														
Filtering element	Standard 25 μ - On request 5 μ														
Condense drain	Standard semi-automatic														
Materials	<table border="0"> <tr> <td>Body and cup protection:</td> <td>Painted aluminium</td> </tr> <tr> <td>Regulation group:</td> <td>Plastic</td> </tr> <tr> <td>Condense drain:</td> <td>Nickel plated brass</td> </tr> <tr> <td>Filtering element:</td> <td>Sintered bronze</td> </tr> <tr> <td>Diaphragm:</td> <td>Nitrile rubber (NBR)</td> </tr> <tr> <td>Cup and sight glass:</td> <td>Polycarbonate</td> </tr> <tr> <td>Springs:</td> <td>Steel</td> </tr> </table>	Body and cup protection:	Painted aluminium	Regulation group:	Plastic	Condense drain:	Nickel plated brass	Filtering element:	Sintered bronze	Diaphragm:	Nitrile rubber (NBR)	Cup and sight glass:	Polycarbonate	Springs:	Steel
Body and cup protection:	Painted aluminium														
Regulation group:	Plastic														
Condense drain:	Nickel plated brass														
Filtering element:	Sintered bronze														
Diaphragm:	Nitrile rubber (NBR)														
Cup and sight glass:	Polycarbonate														
Springs:	Steel														



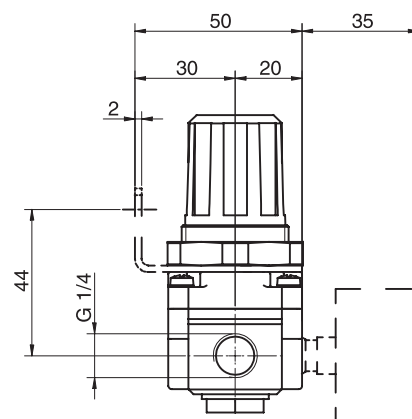
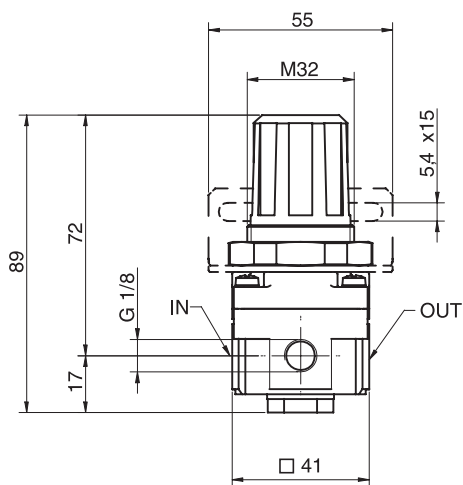
Version	Symbol	Code	Item
Filter-regulator + lubricator		090100	A14FRRL



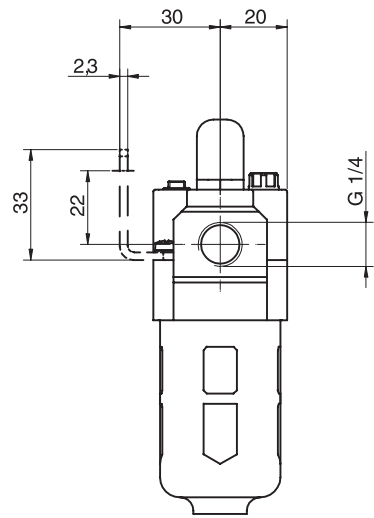
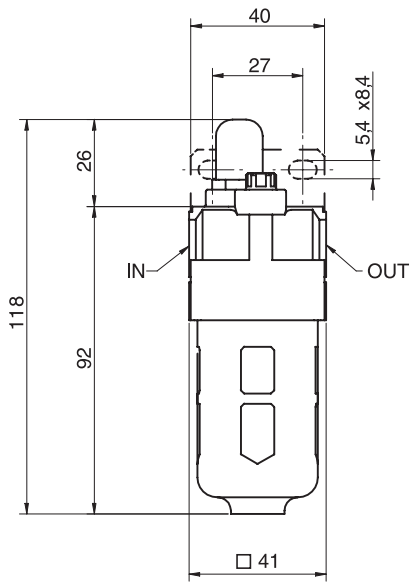
Version	Symbol	Code	Item
Filter-regulator		090101	A14FRR



Version	Symbol	Code	Item
Filter		090102	A14F



Version	Symbol	Code	Item
Regulator		090103	A14R



Version	Symbol	Code	Item
Lubricator		090104	A14L