

Rotary actuators with ball valve

Handweel manipulator

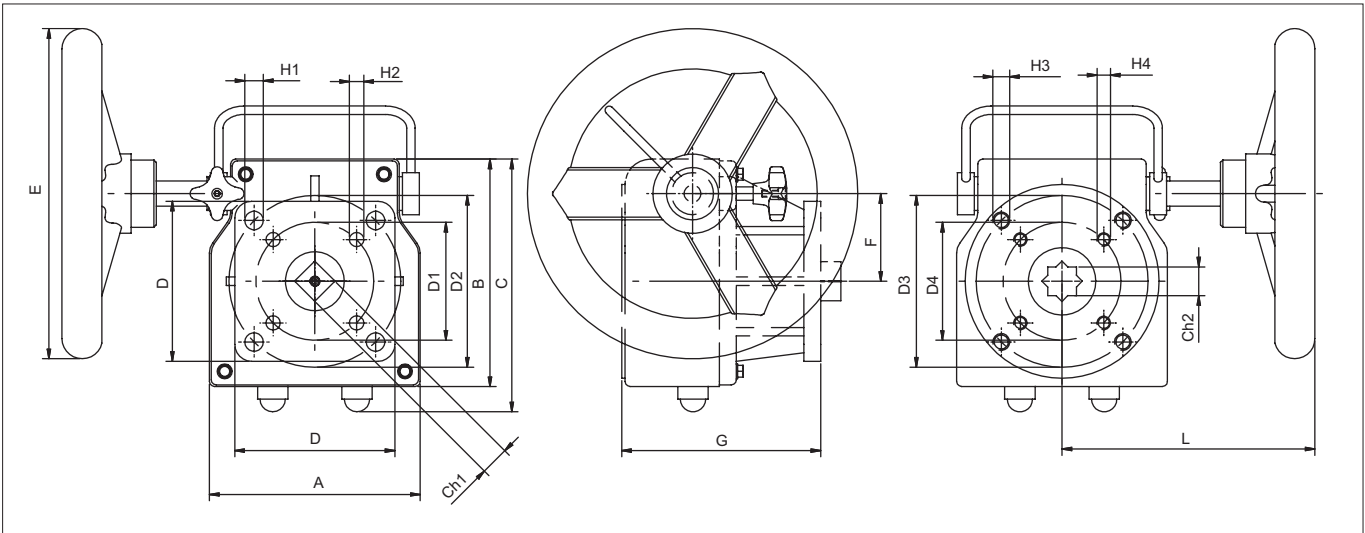


Standard executions		
Version	Code	Item
Ø 50	811168	GDB050
Ø 70	811169	GDB070
Ø 102	811170	GDB102
Ø 140	811171	GDB140



Series of new generation handweel manipulators, compact and universal, with IP67 protection. The design of these manipulators allow to chose on positioning between valve and actuator, function of manipulator can be reversed.

Manipulator is placed between valve and actuator: valve pin can be directly mounted to the actuator pinion through the manipulator body, or by an adaptor (in case a bracket should be applied). During automatic working, handweel is off; connecting the manual function, the handweel will move both the ball-valve and the actuator.



Item	A	B	C	E	F	G	L	D1	H1	D2	H2	D3	H3	D4	H4	Ch1	Ch2
GDB050	90	110	125	Ø 200	44	100	130	Ø 50	Ø 6,5	Ø 70	Ø 8,5	Ø 50	M6	Ø 70	M8	14	17
GDB070	125	135	150	Ø 200	52	118	150	Ø 70	Ø 8,5	Ø 102	Ø 11	Ø 70	M8	Ø 102	M10	17	17
GDB102	140	185	185	Ø 300	65	124	180	Ø 102	Ø 11	Ø 125	Ø 13	Ø 102	M10	Ø 125	M12	22	27
GDB140	190	230	230	Ø 400	85	162	200	-	-	Ø 140	Ø 17	-	-	Ø 140	M16	27	36

Item	Gear ratio	Output torque
GDB050	1 : 40	300 Nm
GDB070	1 : 38	360 Nm
GDB102	1 : 36	810 Nm
GDB140	1 : 50	1310 Nm

Technical data		
Materials	Handle:	Carbon steel
	Worm shaft:	C45
	Hand wheel:	Grey cast iron
	Positioning screw:	Carbon steel
	Worm gear:	Steel
	Bracket cap:	Grey cast iron
	Body:	Grey cast iron