

Rotary actuators with ball valve

Stainless steel ball valves with actuator double acting



Standard executions			
Version	Symbol	Code	Item
3/8"		811021	VSI2038DE
1/2"		811022	VSI2012DE
3/4"		811023	VSI2034DE
1"		811024	VSI2100DE
1 1/4"		811025	VSI2114DE
1 1/2"		811026	VSI2112DE
2"		811027	VSI2200DE



Series of stainless steel ball valves "full bore" with rotary actuator double acting.

For actuator features

see page 2.430.10.

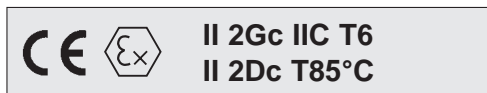
For NAMUR solenoid valve

see page 2.88.1.

For actuator mounting accessories

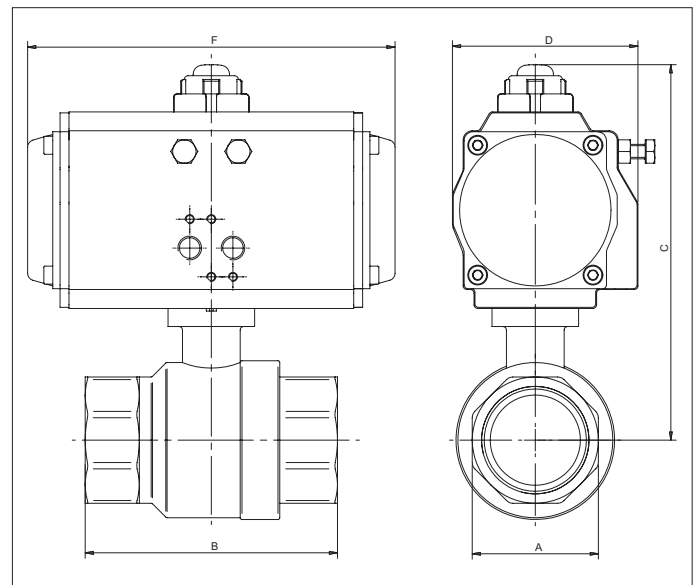
see page 2.431.30.

2



Manufactured according to 2014/34/EU - ATEX

Size	A	B	Ø actuator	C	D	F
G3/8	27	65	32	105	45	118
G1/2	27	75	32	105	45	118
G3/4	33	80	32	109	45	118
G1	41	90	40	132	65	120
G1 1/4	50	110	52	150	71,5	147
G1 1/2	58	120	63	175,5	83	168
G2	70	140	75	196,5	95	184



Technical data of the ball valve							
Fluid	Compressed air, water, inert gases, fluids, steam						
Pressure range	63 bar						
Temperature range	-20 °C ÷ + 150°C						
Orifice	3/8"= 10 mm	1/2"= 15 mm	3/4"= 20 mm	1"= 25 mm	1 1/4"= 32 mm	1 1/2"= 40 mm	2"= 50 mm
Flow	3/8"= 3.000 l/min		1/2"= 11.500 l/min		3/4"= 21.000 l/min		1"= 33.000 l/min
	1 1/4"= 50.000 l/min		1 1/2"= 84.000 l/min		2"= 97.000 l/min.		
Mounting	In-line						
Materials	Body:	Steel Inox AISI 316					
	Ball:	Steel Inox AISI 316					
	Seals:	PTFE - FKM					