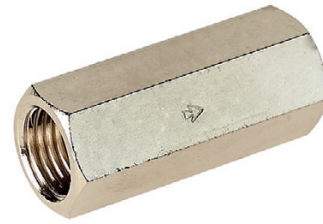


Standard executions			
Version	Symbol	Code	Item
M5		030101	7FF
1/8"		030102	1FF
1/4"		030103	2FF
3/8"		030104	3FF
1/2"		030105	4FF
3/4"		030107	5FF



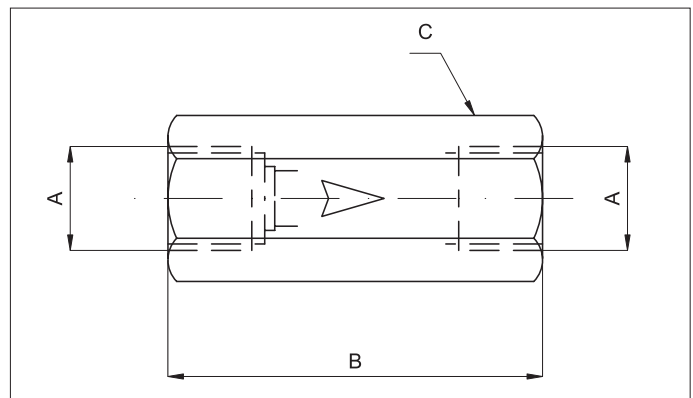
Series of uni-directional valves from brass hexagonal bar, female threaded.

In line mounting they allow the compressed air to flow in one direction only; therefore, they are useful in those applications where no return of the compressed air to the supply is admitted.

How to order: 2FFV

2FF	V
Version	Option

Options	Suffix
Seals FKM max 150 °C	V
Special versions on request	/S



A	B	C
M5	25	8
1/8"	34	13
1/4"	39	16
3/8"	50	21
1/2"	60	25
3/4"	42	30

Technical data							
Fluid	Compressed filtered air with or without lubrication.						
Pressure range	2 ÷ 10 bar						
Temperature range	-10 °C ÷ + 60°C						
Orifice	M5= 2,2 mm	1/8"= 5,2 mm	1/4"= 7 mm	3/8"= 10 mm	1/2"= 12 mm	3/4" = 18	1" = 24
Flow	M5= 100 NI/min	1/8"= 500 NI/min	1/4"= 900 NI/min	3/8"= 2.600 NI/min	1/2"= 3.500 NI/min.	3100 (a 3 bar)	-
Mounting	In-line						
Materials	Body: Nickel plated brass (3/4" not plated brass) Internal parts: Brass - Spring: Stainless steel Seals: Nitrile rubber (NBR) - 3/8" and 1/2" VITON						