

Standard executions			
Version	Symbol	Code	Item
M5 blue		030701	V260005
1/8" blue		030702	V260018
1/4" blue		030703	V260014
3/8" blue		030704	V260038
1/2" blue		030705	V260012

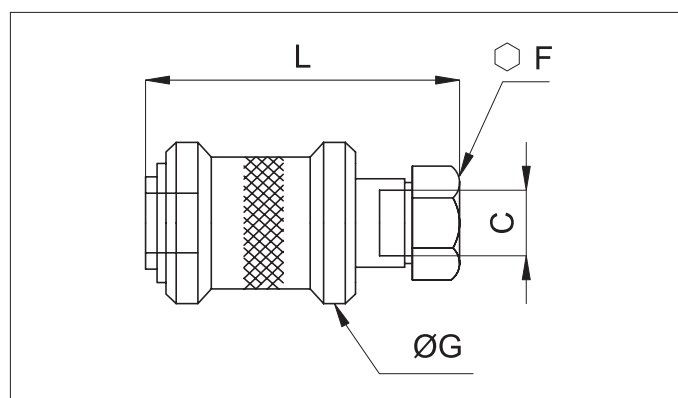


Series of slide valves manually operated. In line mounting they work to close the supply and at the same time exhaust the downstream circuit air.

How to order: V260018N

Options	Suffix
Black	N
Red	R
Seals FKM	max 150 °C V
Special version on request	/ S

V260018	N
Version	Option



C	F	G	L
M5	9	13	31
1/8"	14	25	48
1/4"	19	30	58
3/8"	22	35	68
1/2"	27	40	80

Technical data					
Fluid	Compressed filtered air with or without lubrication. Lubrication, if started, must be continued.				
Pressure range	0 ÷ 16 bar				
Temperature range	-10 °C ÷ + 80°C				
Orifice	M5: 2,5 mm	1/8": 4 mm	1/4": 7 mm	3/8": 10 mm	1/2": 14 mm
Flow	M5: 120 NI/min	1/8": 700 NI/min	1/4": 1.100 NI/min	3/8": 1.500 NI/min	1/2": 2.200 NI/min.
Mounting	In line				
Materials	Body:	Nickel plated and ground brass			
	Slide:	Blue anodised aluminium			
	Seals:	Nitrile rubber (NBR)			

