

# Valves series A1

1/8", 3/2 - 5/2, Mechanically operated



Standard executions			
Version	Symbol	Code	Item
3/2 NC spring return		034201	A1ME130ANT
5/2 spring return		034202	A1ME150ANT



Servo-assisted sensitive aerial spool valves, with static seals, high flow.

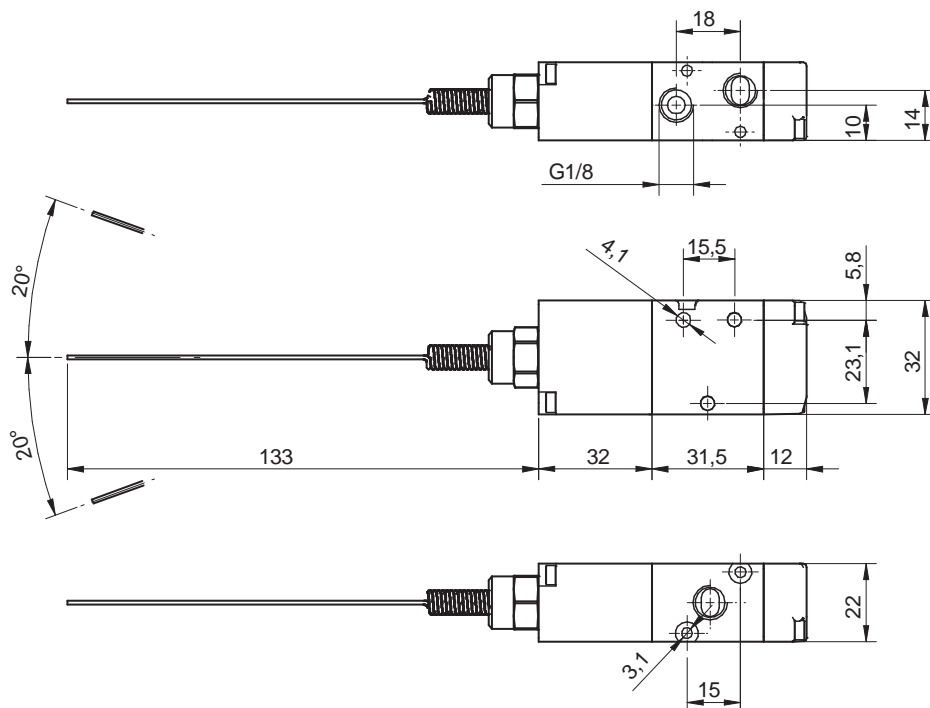
### Code key

Series	Actuation	Size	Function	Actuation
A1	ME=Mechanically	1 = 1/8"	30 = 3/2 NC spring return 50 = 5/2 spring return	ANT = sensitive aerial

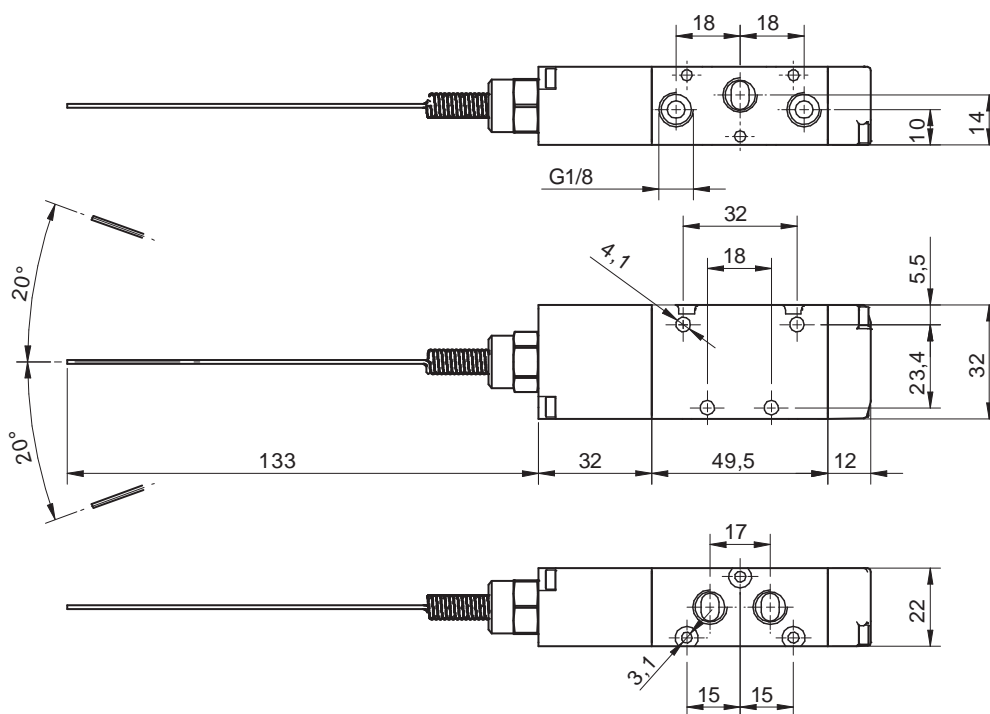
Technical data	
Fluid	Compressed filtered air with or without lubrication. Lubrication, if started, must be continued.
Pressure range	1 ÷ 10 bar
Temperature range	-10 °C ÷ + 60°C
Orifice	6,5 mm
Flow	650 NI/min a 6 bar at ΔP 1 bar
Minimum piloting pressure	1 bar
Mounting	In any position
Materials	Body: Anodised aluminium Covers: Delrin 500 Spool: Hard aluminium anodized Distancers: Fortron 1140 L4 Spring: Stainless steel AISI 304 Seals: Hydrogenated Nitrile Butadiene Rubber (HNBR)



Valves series A1  
1/8", 3/2 - 5/2, Mechanically operated



Version	Symbol	Code	Item
3/2 NC spring return		034201	A1ME130ANT



Version	Symbol	Code	Item
5/2 spring return		034202	A1ME150ANT