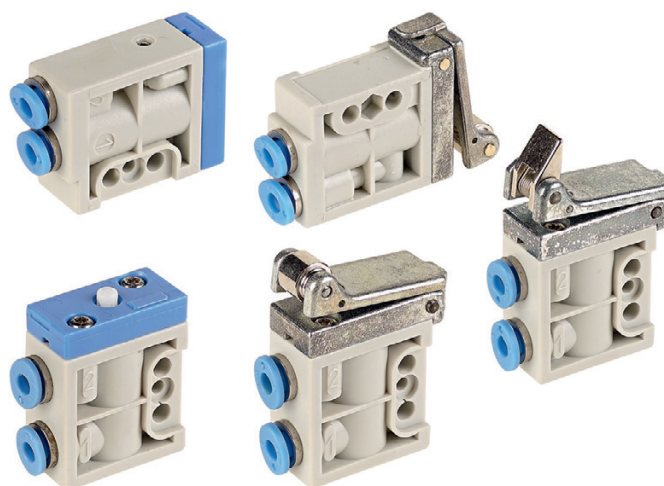


# Mechanically operated valves Ø 4 and 1/8''

## Ø 4, 3/2 normally open and normally closed



Standard executions			
Version	Symbol	Code	Item
3/2, with plunger, N.O.		032291	AC104132A
3/2, with plunger, N.C.		032292	AC104132C
3/2, with plunger, N.O., with side connections		032293	AC104132AL
3/2, with plunger, N.C., with side connections		032294	AC104132CL
3/2, with bi-directional lever and roller, N.O.		032295	AC204132A
3/2, with bi-directional lever and roller, N.C.		032296	AC204132C
3/2, with bi-directional lever and roller, N.O., with side connections		032297	AC204132AL
3/2, with bi-directional lever and roller, N.C., with side connections		032298	AC204132CL
3/2, with uni-directional lever, N.O.		032299	AC304132A
3/2, with uni-directional lever, N.C.		032303	AC304132C
3/2, with uni-directional lever, N.O., with side connections		032301	AC304132AL
3/2, with uni-directional lever, N.C., with side connections		032302	AC304132CL



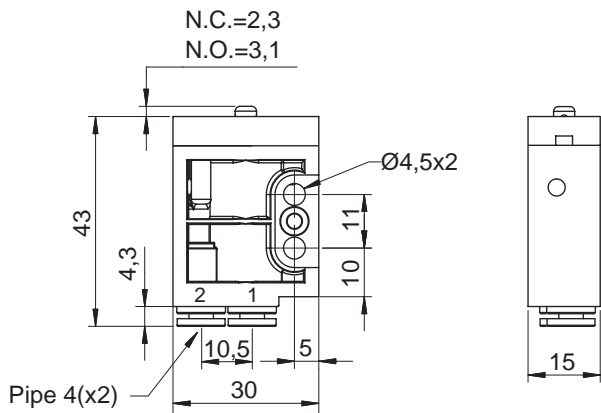
Series of poppet microvalves mechanically operated. Connections with integral 4 mm push-in fittings. According to the application you can choose between the version with bottom connections or side ones.

Technical data	
Fluid	Compressed filtered air with or without lubrication. Lubrication, if started, must be continued.
Pressure range	0 ÷ 8 bar
Temperature range	-10 °C ÷ + 60 °C
Operating force	5 N
Flow	60 NI/min.
Connections	With integral 4 mm push-in fittings
Fixing	Through 4 mm holes on the body
Mounting	In any position
Materials	Body: Acetal resin Seals: Nitrile rubber (NBR)

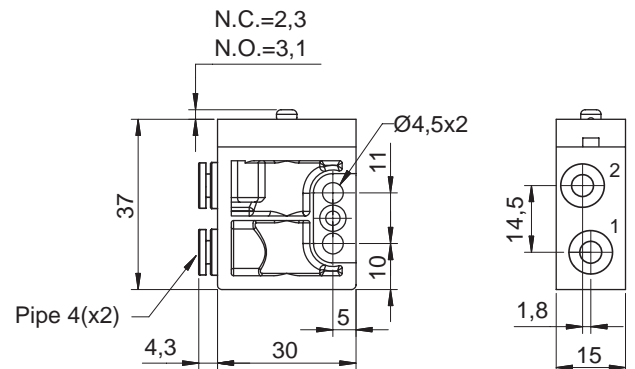
Mechanically operated valves  $\varnothing 4$  and  $1/8''$   
 $\varnothing 4, 3/2$  normally open and normally closed



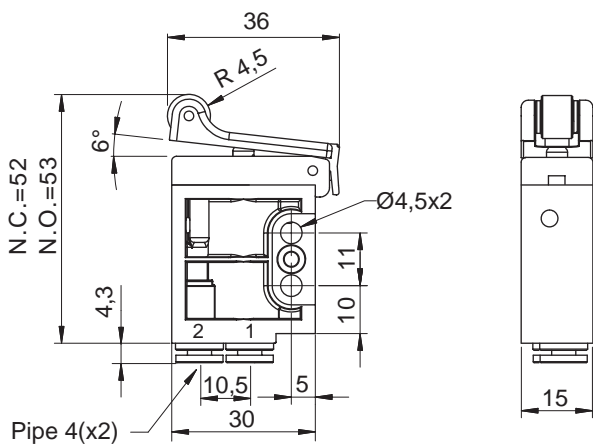
Type: **AC104132A**  
**AC104132C**



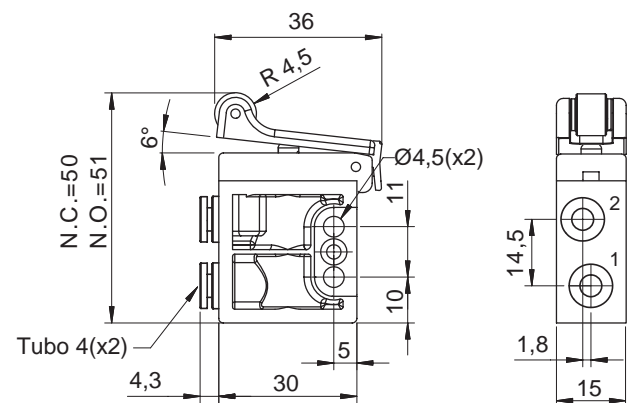
Type: **AC104132AL**  
**AC104132CL**



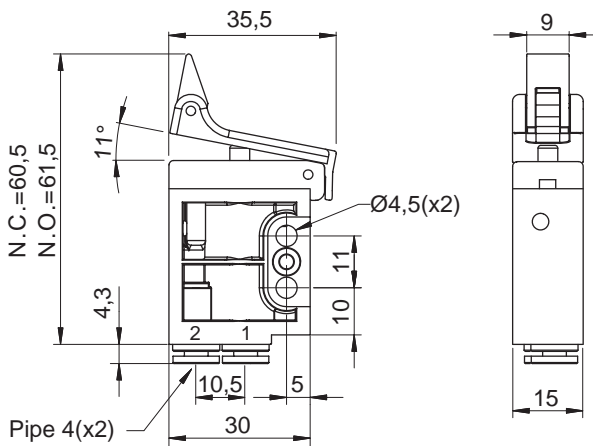
Type: **AC204132A**  
**AC204132C**



Type: **AC204132AL**  
**AC204132CL**



Type: **AC304132A**  
**AC304132C**



Type: **AC304132AL**  
**AC304132CL**

