

Microvalves Ø 4 and manual operating devices

Manual operating devices



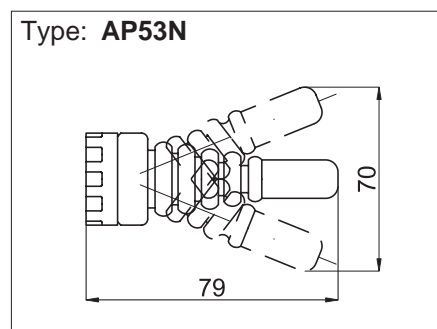
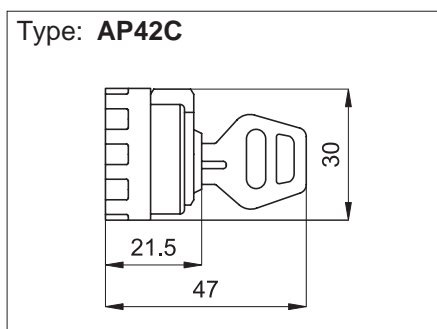
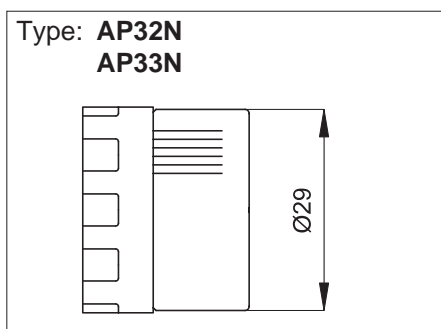
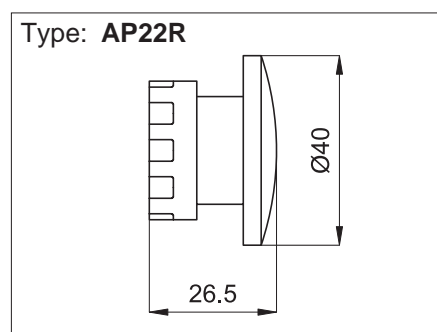
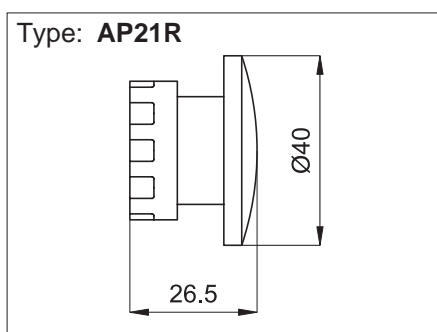
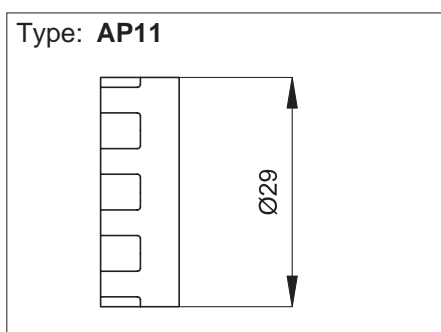
Standard executions			
Version	Symbol	Code	Item
Red recessed button, 1 position		030271	AP11R
Black recessed button, 1 position		030272	AP11N
Green recessed button, 1 position		030273	AP11V
Red head push button, 1 position		030274	AP21R
Red head push button, 2 positions		030275	AP22R
Black selector, 2 positions		030276	AP32N
Black selector, 3 positions		030277	AP33N
Selector with key, 2 positions		030278	AP42C
Black lever, 3 positions		030279	AP53N

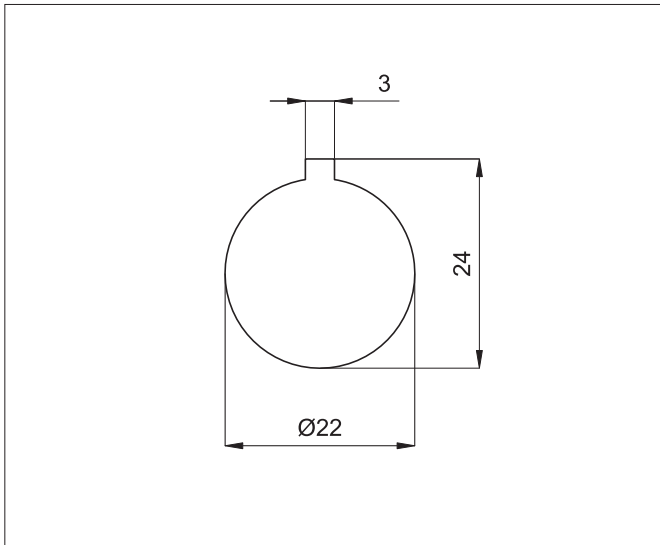


Series of operating devices available in different solutions (selector, recessed button, head push button etc.). Quick mounting on bayonet. They are arranged for mounting on panel (through 22 mm hole). For the valves type AM04...

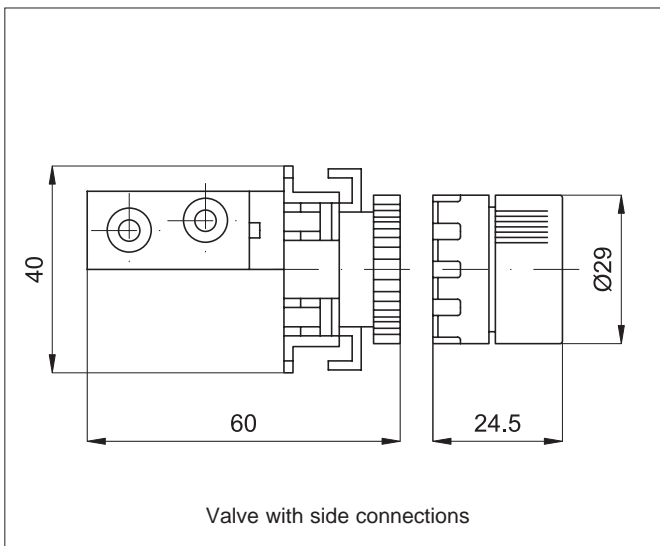
The head push button 2 positions type AP22R can only be used with the valves normally open.

Material:	Acetal resin
-----------	--------------



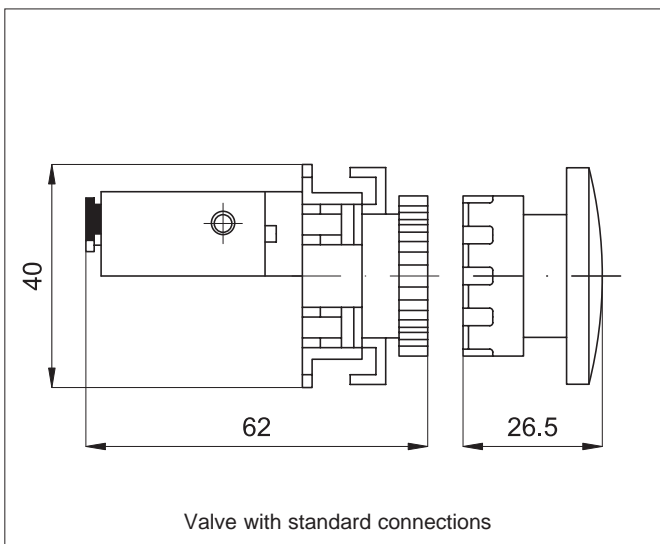


Dimensions of the hole for panel mounting.
The panel must not be thicker than 6 mm.



Maximum overall dimensions

Valve with side connections



Valve with standard connections