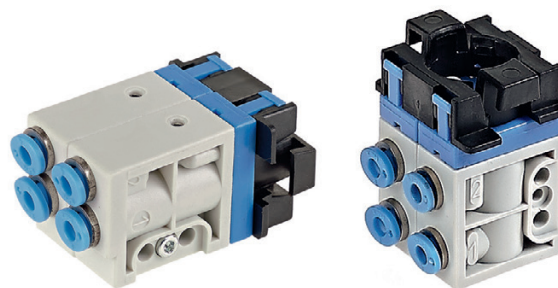


# Microvalves Ø 4 and manual operating devices

## Microvalves Ø 4, 5/2 normally open and normally closed



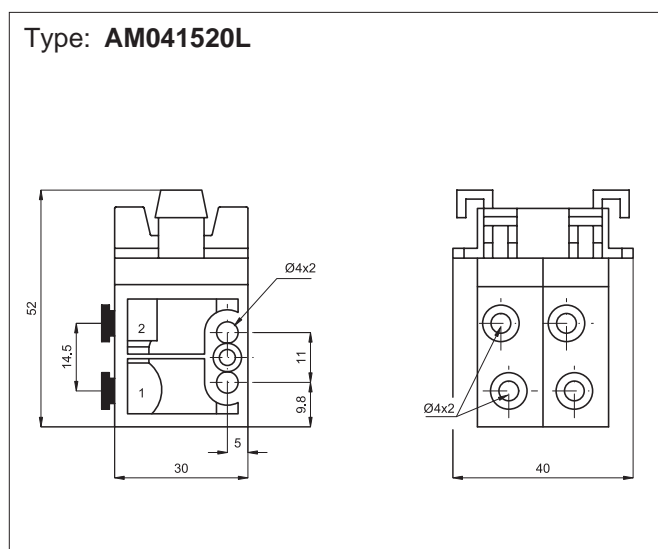
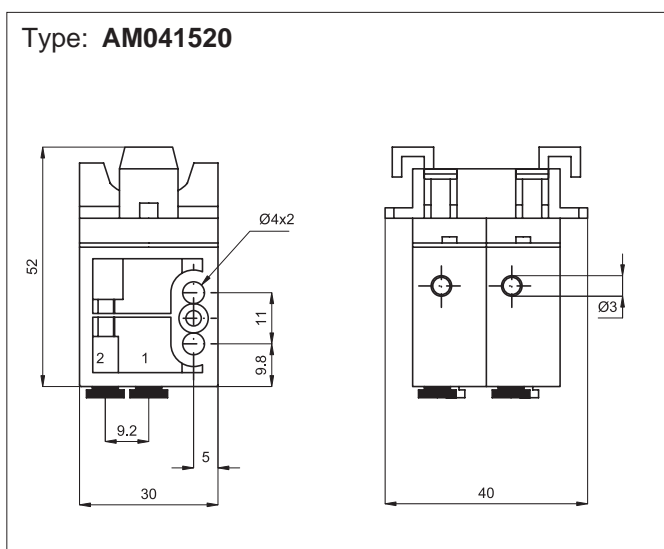
Standard executions			
Version	Symbol	Code	Item
5/2, 1 position		030261	AM041520
5/2, 1 position with side connections		030262	AM041520L



Series of poppet microvalves arranged for operating manually. Connections with integral 4 mm push-in fittings. According to the application you can choose between the version with bottom connections or with side ones.

For the choice of the operating device see page 2.265.1.

2



Technical data	
Fluid	Compressed filtered air with or without lubrication. Lubrication, if started, must be continued.
Pressure range	0 ÷ 8 bar
Temperature range	-20 °C ÷ + 80 °C
Operating force	10 N
Flow	80 NI/min.
Connections	With integral 4 mm push-in fittings
Fixing	Through 2 holes (Ø 4 mm) on the body Through 1 hole (Ø 22 mm) on panel (with operating device mounted)
Mounting	In any position
Materials	Body: Acetal resin Seals: Nitrile rubber (NBR)