

# Valves series A1

## 1/4", 3/2, manually operated



### Standard executions

Version	Symbol	Code	Item
3/2 NC side lever, 1 position		034077	A1MA230LL
3/2 side lever, 2 positions		034076	A1MA232LL
3/2 top lever, 2 positions		034100	A1MA232LT
3/2 NC push-pull, 1 position		034103	A1MA230TT
3/2 push-pull, 2 positions		034104	A1MA232TT



Series of spool valves, with static seals, high flow, for panel or sub-base mounting.



**II 2Gc IIB T5**  
**II 2Dc T100°C**

On request, they can be supplied according to 2014/34/EU - **ATEX**

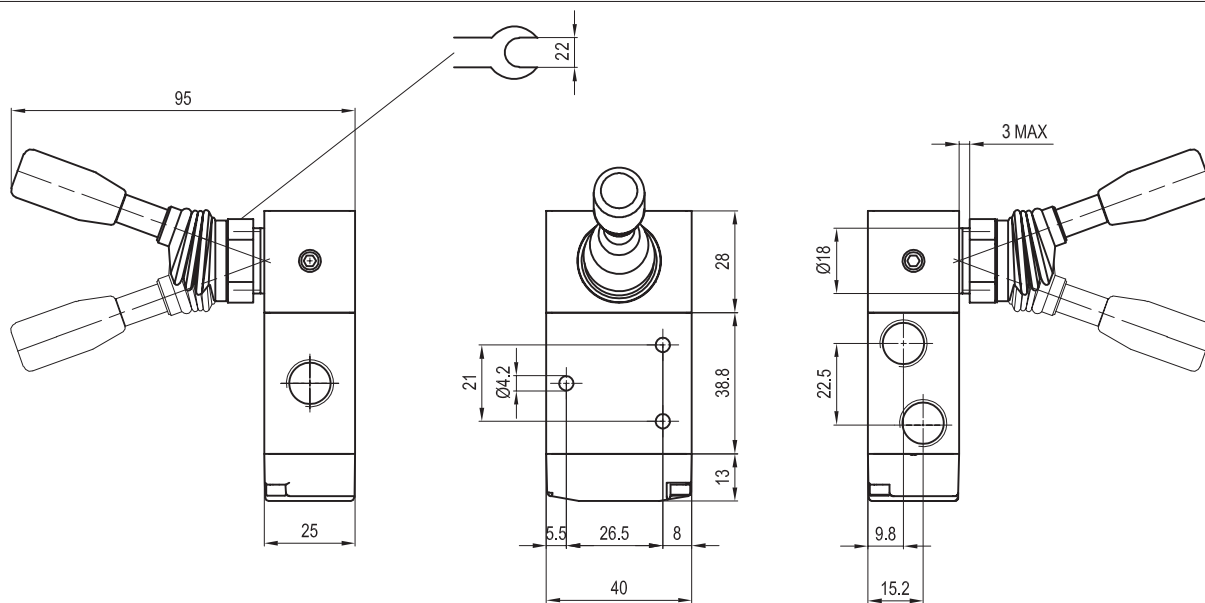
### Code key

Series	Actuation	Size	Function	Actuation
A1	MA=Manual	1 = 1/8" 2 = 1/4"	30 = 3/2 NC spring return 32 = 3/2 two stable positions 50 = 5/2 spring return 51 = 5/2 two stable positions 70 = 5/3 CC spring return 71 = 5/3 OC spring return 72 = 5/3 PC spring return 73 = 5/3 CC 3 positions 74 = 5/3 OC 3 positions 75 = 5/3 PC 3 positions	LL = side lever LT = top lever TT = push-pull FR = red head push bottom FV = green head push bottom FN = black head push bottom BR = red recessed bottom BV = green recessed bottom BN = black recessed bottom

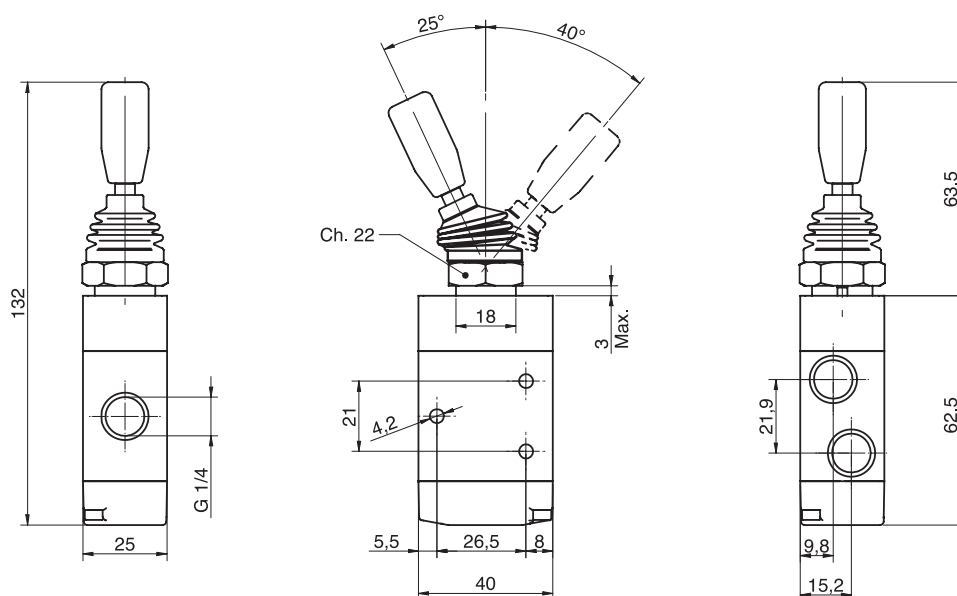
### Technical data

Fluid	Compressed filtered air with or without lubrication. Lubrication, if started, must be continued.	
Pressure range	0 ÷ 10 bar	
Temperature range	-10 °C ÷ + 80°C	
Orifice	8 mm	
Flow	1100 NI/min at 6 bar with ΔP 1 bar	
Mounting	In any position	
Materials	Body:	Aluminium anodized
	Cover:	Aluminium anodized
	Bottom plates:	Delrin 500
	Spool:	Chemical nickel plated aluminium
	Distancers:	Fortron 1140 L4
	Seals:	Hydrogenated Nitrile Butadiene Rubber (HNBR)
	Lever:	Steel

Valves series A1  
1/4", 3/2, manually operated

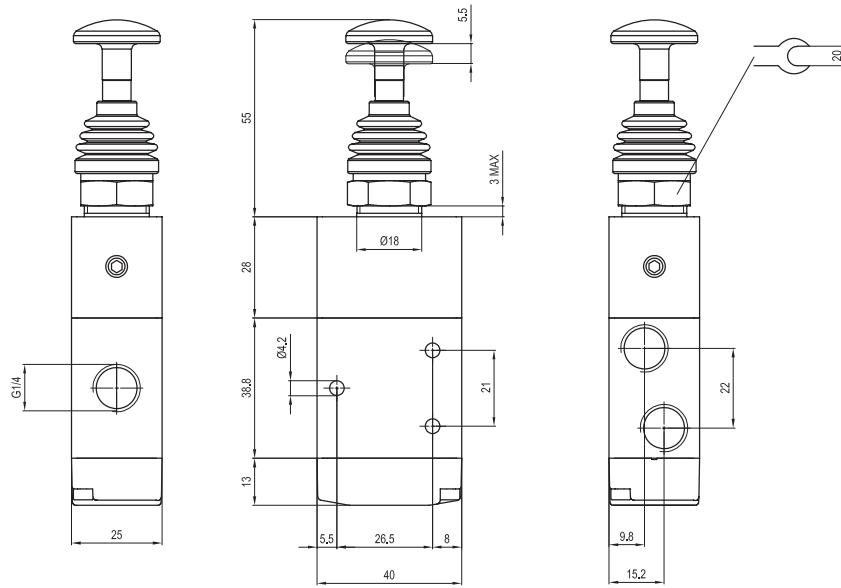


Version	Symbol	Code	Item
3/2 NC side lever, 1 position		034077	A1MA230LL
3/2 side lever, 2 positions		034076	A1MA232LL



Version	Symbol	Code	Item
3/2 top lever, 2 positions		034100	A1MA232LT

Valves series A1  
1/4", 3/2, manually operated



Version	Symbol	Code	Item
3/2 NC push-pull, 1 position		034103	A1MA230TT
3/2 push-pull, 2 positions		034104	A1MA232TT

