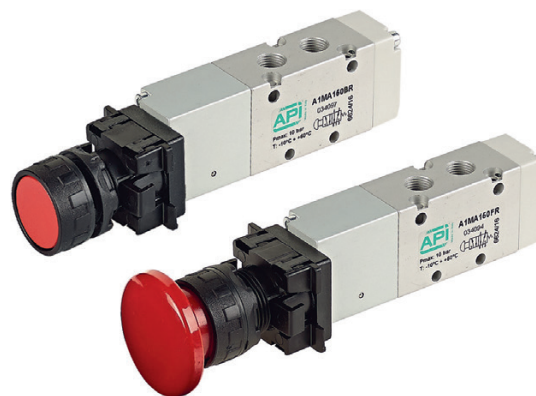


Valves series A1

1/8", 5/2 - 5/3, manually operated, spring return with air assist



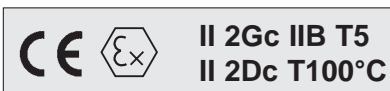
Standard executions			
Version	Symbol	Code	Item
5/2 red head, push button, 1 position		034094	A1MA150FR
5/2 red head push button, 2 positions		034183	A1MA151FR
5/2 green head push button, 1 position		034095	A1MA150FV
5/2 black head push button, 1 position		034096	A1MA150FN
5/2 red recessed button, 1 position		034097	A1MA150BR
5/2 green recessed button, 1 position		034098	A1MA150BV
5/2 black recessed button, 1 position		034099	A1MA150BN
5/2 red head push button 90°, 1 position		036053	A1MA150FR90
5/2 green head push button 90°, 1 position		036054	A1MA150FV90
5/2 black head push button 90°, 1 position		036055	A1MA150FN90
5/2 red head push button 90°, 2 positions		036057	A1MA151FR90
5/2 red recessed button 90°, 2 positions		036058	A1MA150BR90
5/2 green recessed button 90°, 2 positions		036059	A1MA150BV90
5/2 black recessed button 90°, 2 positions		036060	A1MA150BN90
5/2 black selector 90°, 2 positions		036061	A1MA151SB90



Series of spool valves, with static seals, high flow, for panel or sub-base mounting.

Code key

Series	Actuation	Size	Function	Actuation
A1	MA = Manual	1 = 1/8"	50 = 5/2 spring return 51 = 5/2 two stable positions	FR = red head push button FV = green head push button FN = black head push button BR = red recessed button BV = green recessed button BN = black recessed button FR90 = red head push button 90° FV90 = green head push button 90° FN90 = black head push button 90° BR90 = red recessed button 90° BV90 = green recessed button 90° BN90 = black recessed button 90° SB90 = black selector 90°



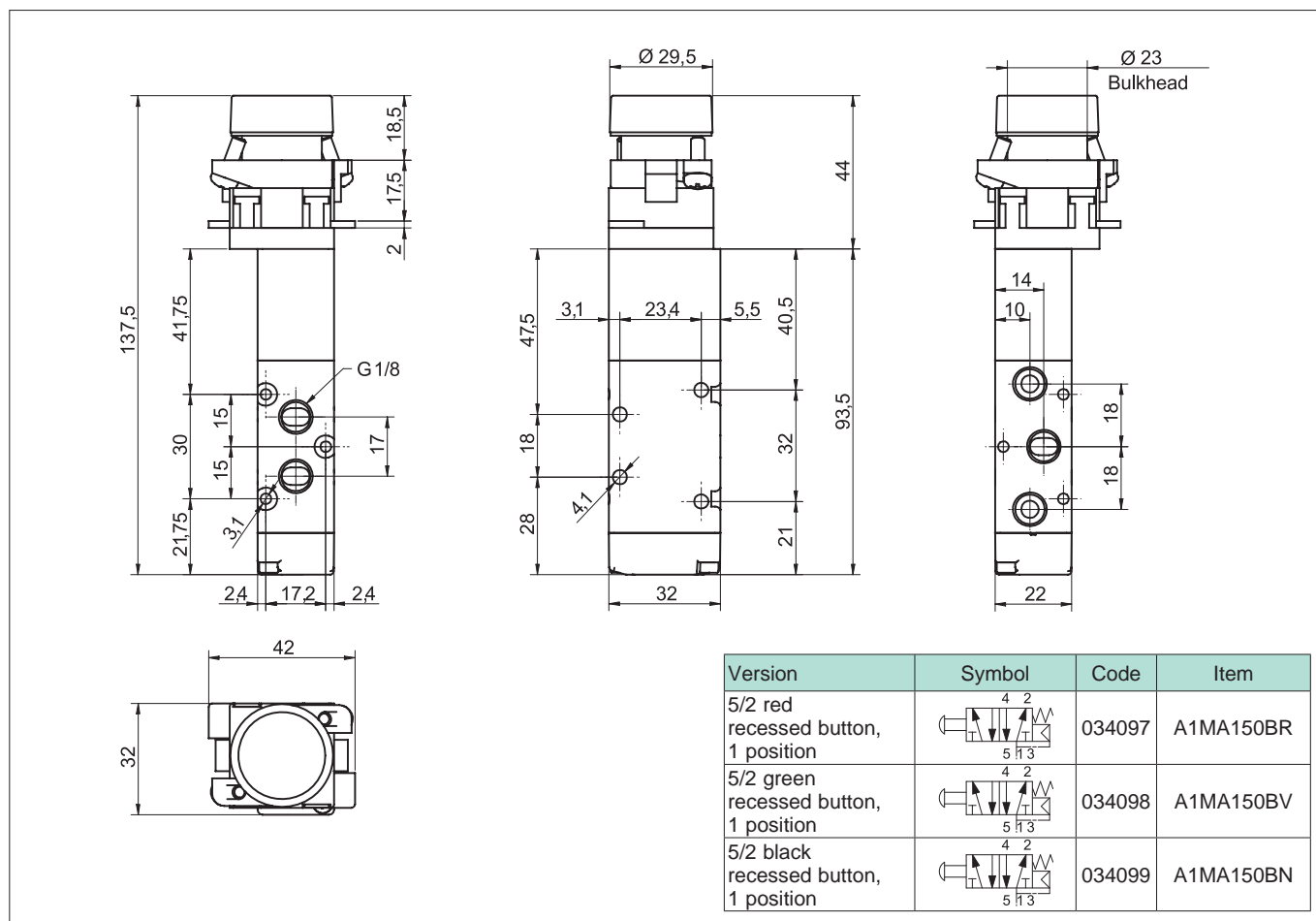
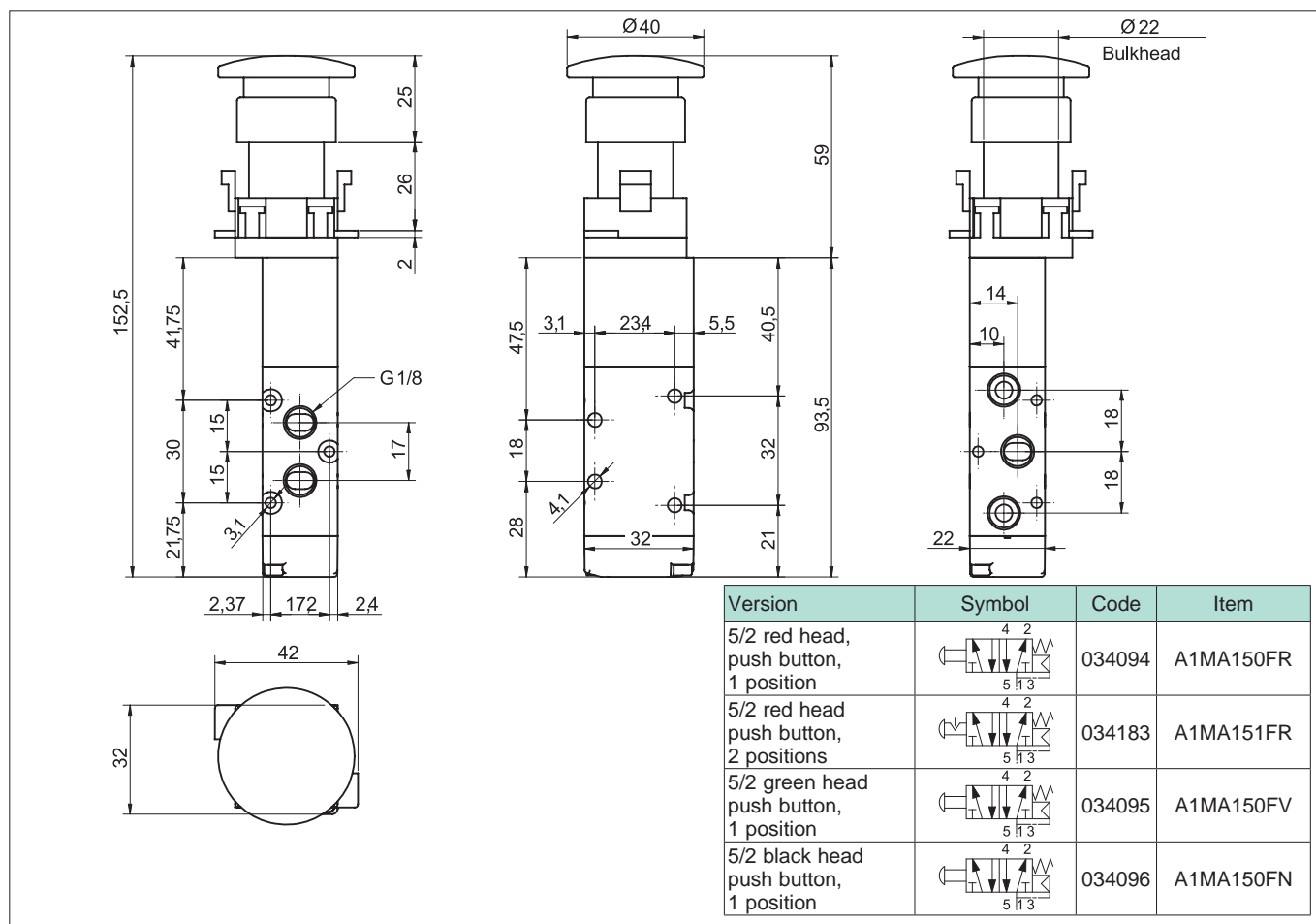
On request, they can be supplied according to 2014/34/EU - ATEX

Technical data	
Fluid	Compressed filtered air with or without lubrication. Lubrication, if started, must be continued.
Pressure range	0 ÷ 10 bar
Temperature range	-10 °C ÷ + 80°C
Orifice	6,5 mm
Flow	650 NI/min at 6 bar with ΔP 1 bar
Mounting	In any position
Materials	Body: Anodised aluminium Cover: Anodised aluminium Bottom plates: Delrin 500 Spool: Hard aluminium anodized Distancers: Fortron 1140 L4 Seals: Hydrogenated Nitrile Butadiene Rubber (HNBR) Lever: Steel / Plastic

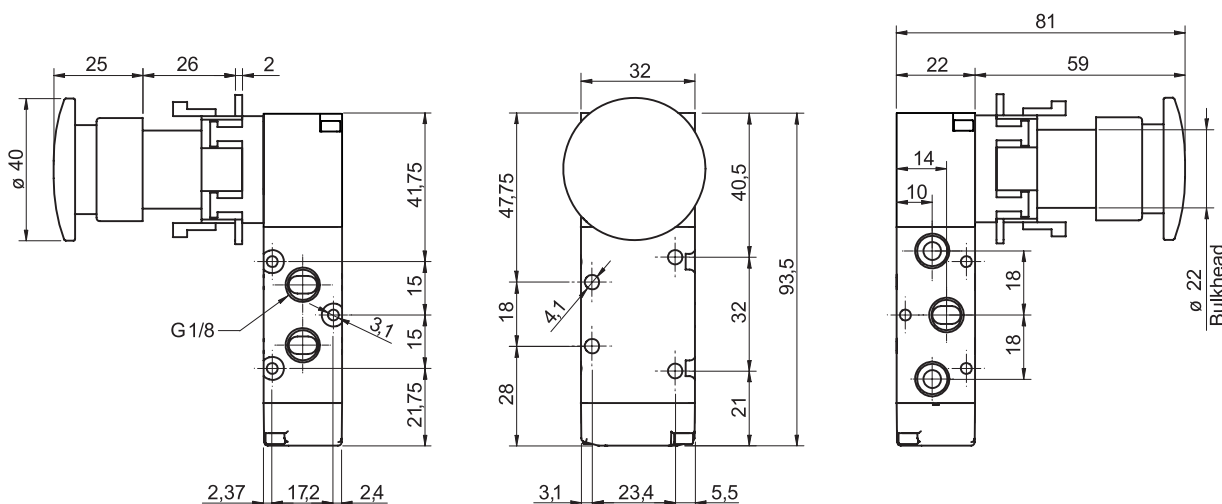


Valves series A1

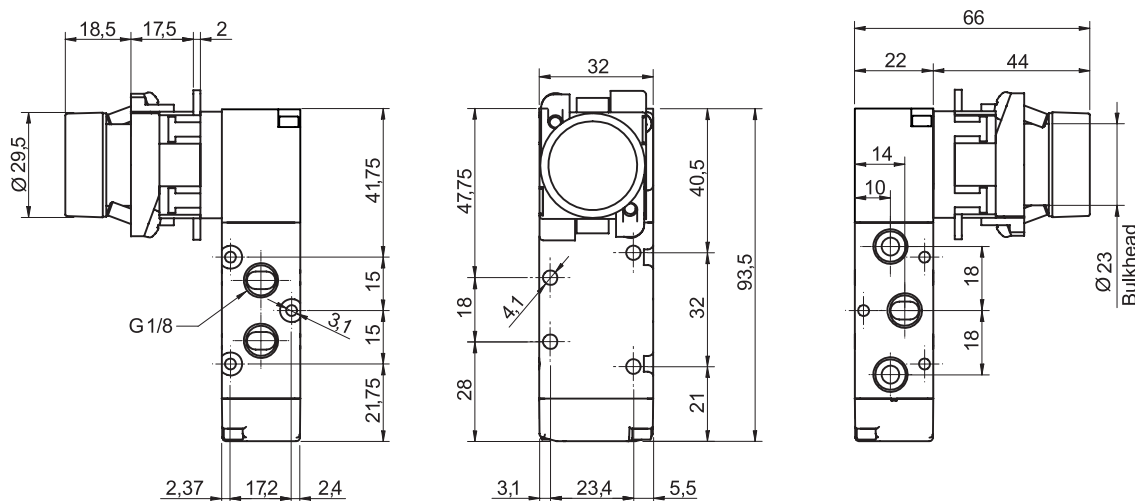
1/8", 5/2 - 5/3, manually operated, spring return with air assist



Valves series A1
1/8", 5/2 - 5/3, manually operated, spring return with air assist

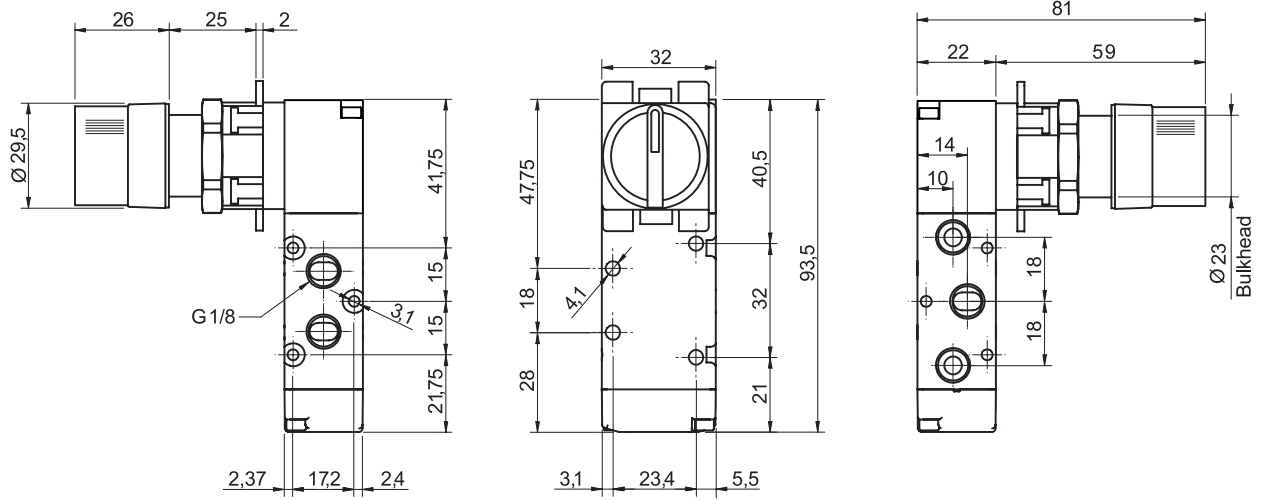


Version	Symbol	Code	Item
5/2 red head push button 90°, 1 position		036053	A1MA150FR90
5/2 green head push button 90°, 1 position		036054	A1MA150FV90
5/2 black head push button 90°, 1 position		036055	A1MA150FN90
5/2 red head push button 90°, 2 positions		036057	A1MA151FR90



Version	Symbol	Code	Item
5/2 red recessed button 90°, 2 positions		036058	A1MA150BR90
5/2 green recessed button 90°, 2 positions		036059	A1MA150BV90
5/2 black recessed button 90°, 2 positions		036060	A1MA150BN90

Valves series A1
 1/8", 5/2 - 5/3, manually operated, spring return with air assist



Version	Symbol	Code	Item
5/2 black selector 90°, 2 positions		036061	A1MA151SB90