

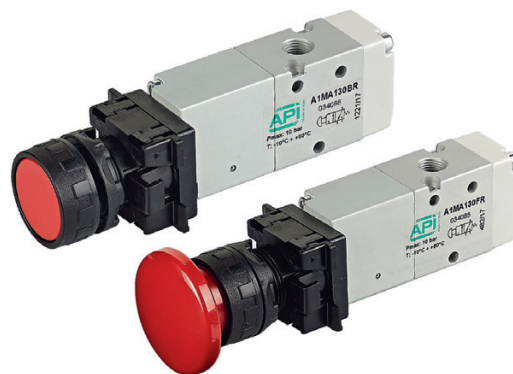
# Valves series A1

## 1/8", 3/2, manually operated, spring return with air assist



### Standard executions

Version	Symbol	Code	Item
3/2 NC red head, push button, 1 position		034085	A1MA130FR
3/2 NC green head, push button, 1 position		034086	A1MA130FV
3/2 NC black head, push button, 1 position		034087	A1MA130FN
3/2 red head, push button, 2 positions		034182	A1MA132FR
3/2 NC red recessed button, 1 position		034088	A1MA130BR
3/2 NC green recessed button, 1 position		034089	A1MA130BV
3/2 NC black recessed button, 1 position		034090	A1MA130BN
3/2 NC red head, push button 90°, 1 position		036045	A1MA130FR90
3/2 NC green head, push button 90°, 1 position		036046	A1MA130FV90
3/2 NC black head, push button 90°, 1 position		036047	A1MA130FN90
3/2 red head, push button 90°, 2 positions		036048	A1MA132FR90
3/2 NC red recessed button 90°, 1 position		036049	A1MA130BR90
3/2 NC green recessed button 90°, 1 position		036050	A1MA130BV90
3/2 NC black recessed button 90°, 1 position		036051	A1MA130BN90
3/2 black selector 90° 2 positions		036052	A1MA132SB90



Series of spool valves, with static seals, high flow, for panel or sub-base mounting.

### Code key

Series	Actuation	Size	Function	Actuation
A1	MA = Manual	1 = 1/8"	30 = 3/2 NC spring return 32 = 3/2 two stable positions	FR = red head push button FV = green head push button FN = black head push button BR = red recessed button BV = green recessed button BN = black recessed button FR90 = red head push button 90° FV90 = green head push button 90° FN90 = black head push button 90° BR90 = red recessed button 90° BV90 = green recessed button 90° BN90 = black recessed button 90° SB90 = black selector 90°



II 2Gc IIB T5  
II 2Dc T100°C

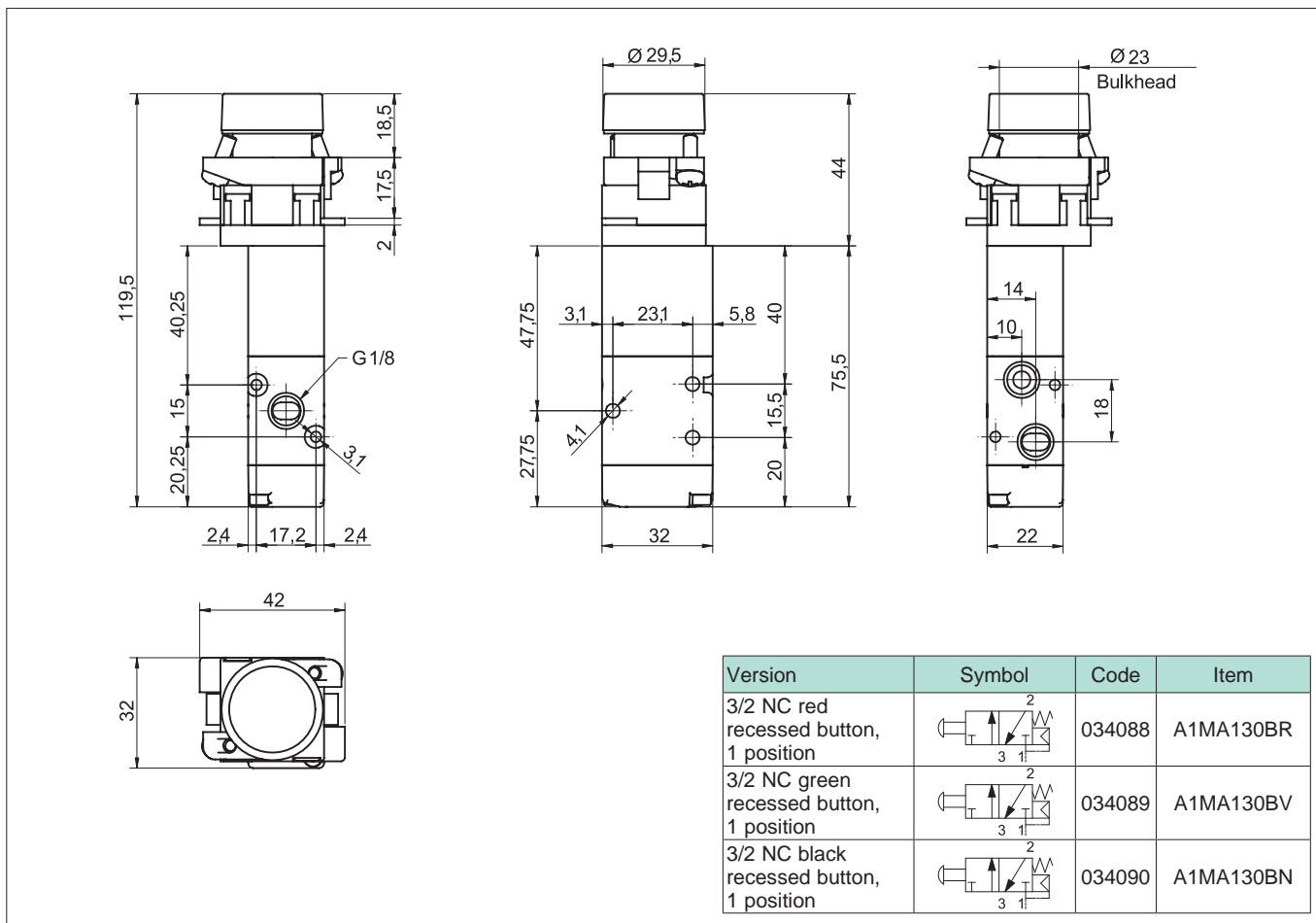
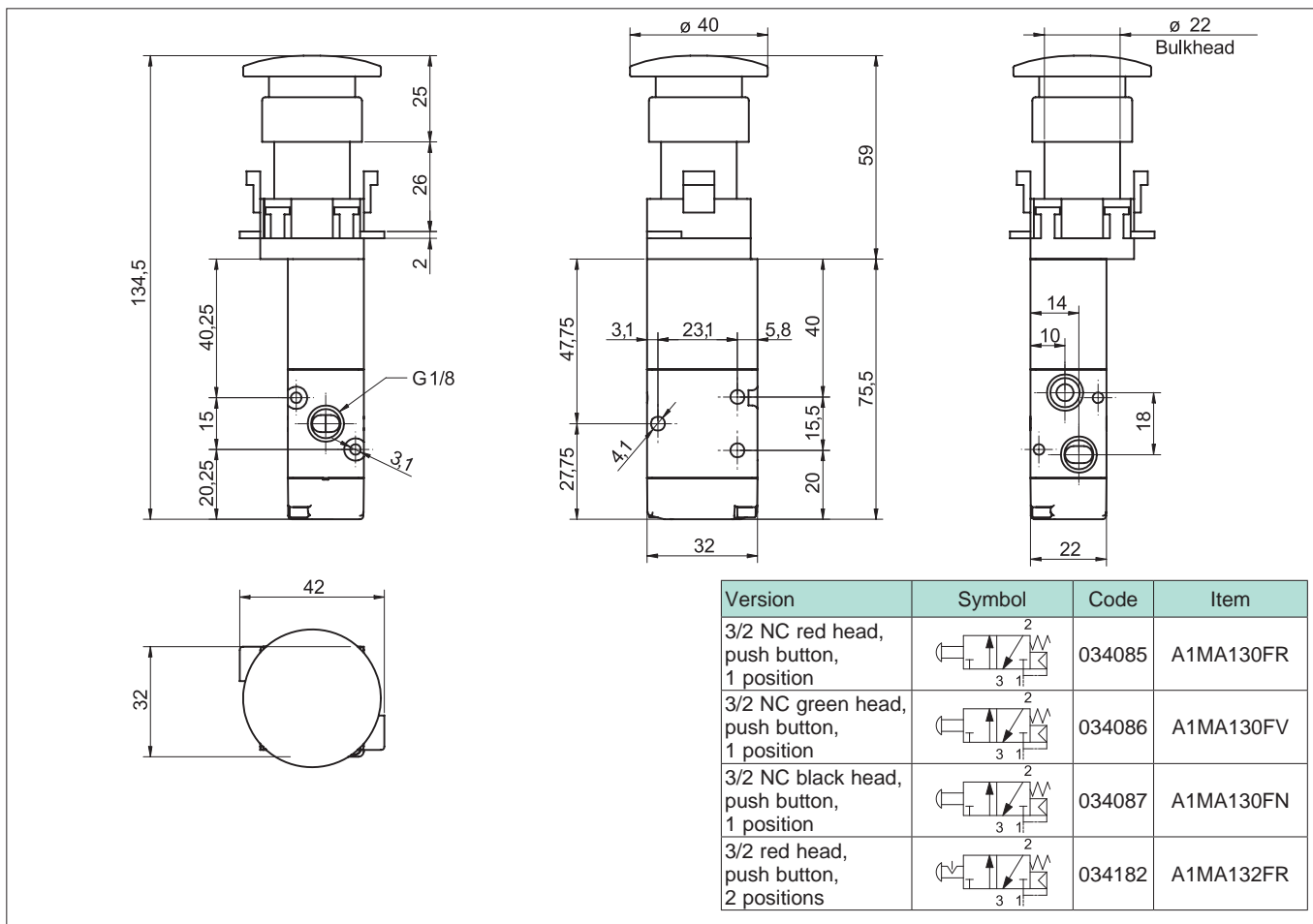
On request, they can be supplied according to 2014/34/EU - ATEX

### Technical data

Fluid	Compressed filtered air with or without lubrication. Lubrication, if started, must be continued.	
Pressure range	0 ÷ 10 bar	
Temperature range	-10 °C ÷ + 80°C	
Orifice	6,5 mm	
Flow	650 NI/min at 6 bar with ΔP 1 bar	
Mounting	In any position	
Materials	Body:	Anodised aluminium
	Cover:	Anodised aluminium
	Bottom plates:	Delrin 500
	Spool:	Hard aluminium anodized
	Distancers:	Fortron 1140 L4
	Seals:	Hydrogenated Nitrile Butadiene Rubber (HNBR)
	Lever:	Steel / Plastic

# Valves series A1

1/8", 3/2, manually operated, spring return with air assist

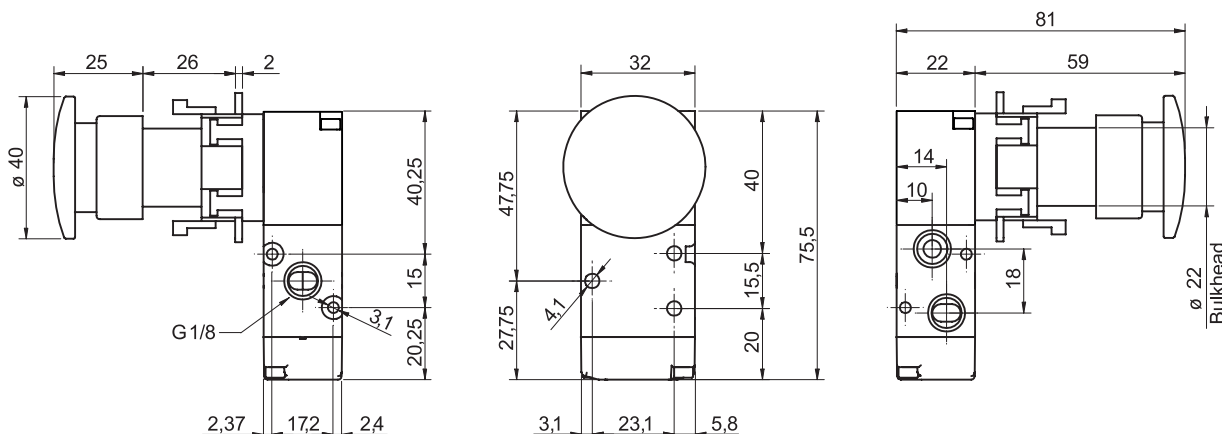


# Valves series A1

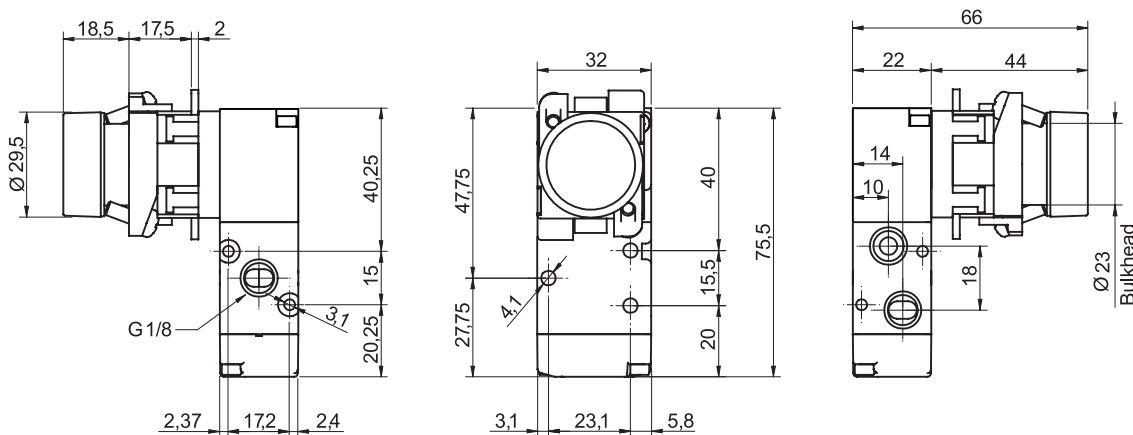
1/8", 3/2, manually operated, spring return with air assist



2

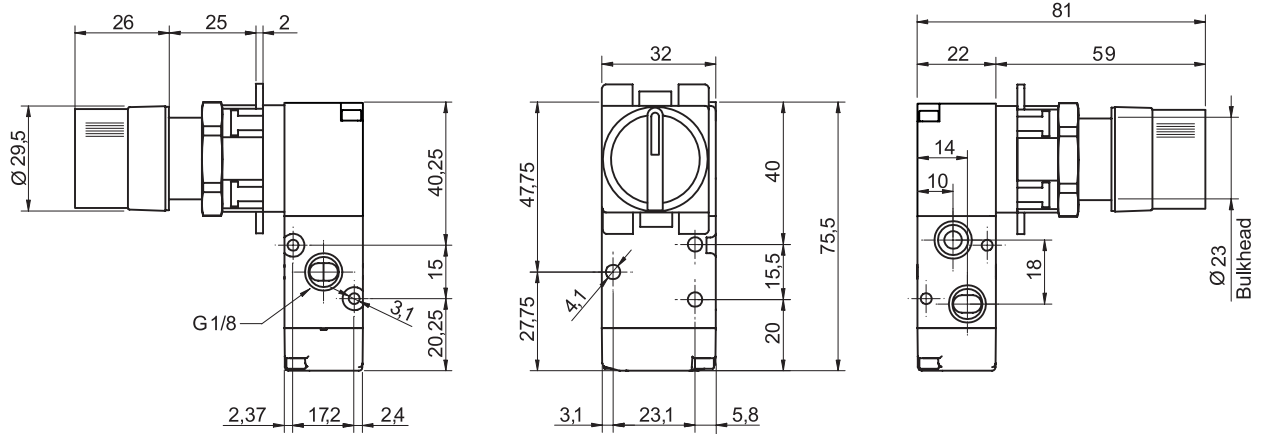


Version	Symbol	Code	Item
3/2 NC red head, push button 90°, 1 position		036045	A1MA130FR90
3/2 NC green head, push button 90°, 1 position		036046	A1MA130FV90
3/2 NC black head, push button 90°, 1 position		036047	A1MA130FN90
3/2 red head, push button 90°, 2 positions		036048	A1MA132FR90



Version	Symbol	Code	Item
3/2 NC red recessed button 90°, 1 position		036049	A1MA130BR90
3/2 NC green recessed button 90°, 1 position		036050	A1MA130BV90
3/2 NC black recessed button 90°, 1 position		036051	A1MA130BN90

Valves series A1  
 1/8", 3/2, manually operated, spring return with air assist



Version	Symbol	Code	Item
3/2 black selector 90° 2 positions		036052	A1MA132SB90