

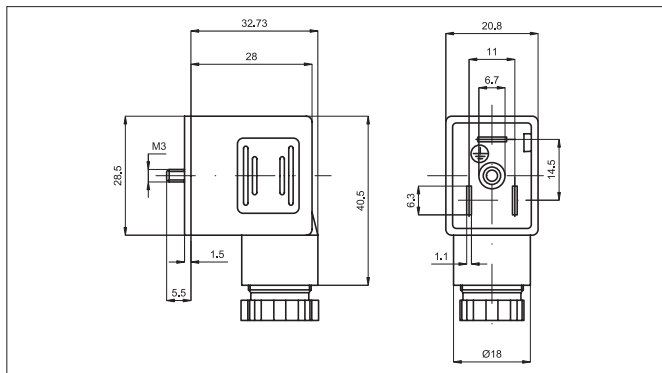
Type A12209N/ATEX

Connector ATEX version full fit the requirements of the ATEX directive 2014/34/EU, class II, Category 2G – 2D.

The ATEX connectors feature a special central fixing screw, which can only be opened with a special tool and pictograms on the connectors for not unmating the connector under voltage and the ATEX logo.

Outer dimension according to EN 175301-803 (formed DIN 43 650).

Standard executions		
Version	Code	Item
Standard, ATEX	032118X	A12209N/ATEX



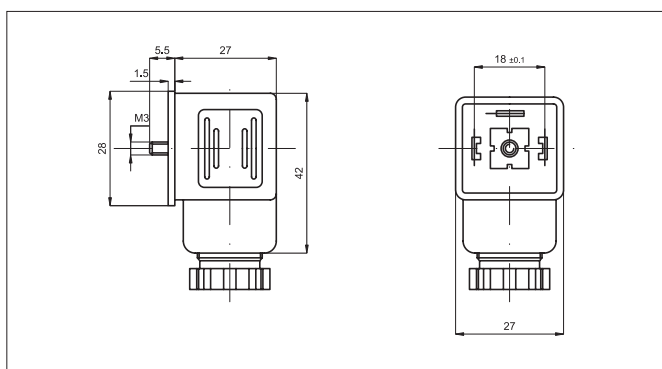
Type A18209N/ATEX



Connector ATEX version full fit the requirements of the ATEX directive 2014/34/EU, class II, Category 3GD.

The ATEX connectors feature a special central fixing screw, which can only be opened with a special tool and pictograms on the connectors for not unmating the connector under voltage and the ATEX logo.

Outer dimension according to EN 175301-803 (formed DIN 43 650).

Standard executions		
Version	Code	Item
Standard, ATEX	032119X	A18209N/ATEX





II 2G IIC T6 Gb
II 2D Ex tb IIIC T85°C IP65/IP67

Supplied according to 2014/34/EU - ATEX



Technical data

Contact distance	11 mm
Rated voltage	230 V
Rated impuls voltage	4000V
Rated current (40°C)	10 A
Contact resistance	≤ 15 mΩ
Insulation resistance	≥ 100 MΩ
Class protection	IP 65
Temperature range	-25 °C ÷ + 90 °C



II 3GD

Supplied according to 2014/34/EU - ATEX



Tecnical data

Contact distance	18 mm
Rated voltage	230 V
Rated impuls voltage	4000V
Rated current (40°C)	10 A
Contact resistance	≤ 15 mΩ
Insulation resistance	≥ 100 MΩ
Class protection	IP 65
Temperature range	-25 °C ÷ + 90 °C