

Standard executions		
Version	Code	Item
Standard, black	032119	A18209N
Standard, black, cabled	033531	A18209NK
With LED+VDR, transparent 24 V, AC-DC	032207	A18209T1
With LED+VDR, transparent 115 V, AC-DC	032208	A18209T2
With LED+VDR, transparent 230 V, AC-DC	032209	A18209T3
With LED+VDR, black 2 mt. cabled, 24 V, AC-DC	033532	A18209N1K
With LED+VDR, black 2 mt. cabled, 115 V, AC-DC	033533	A18209N2K
With LED+VDR, black 2 mt. cabled, 230 V, AC-DC	033534	A18209N3K



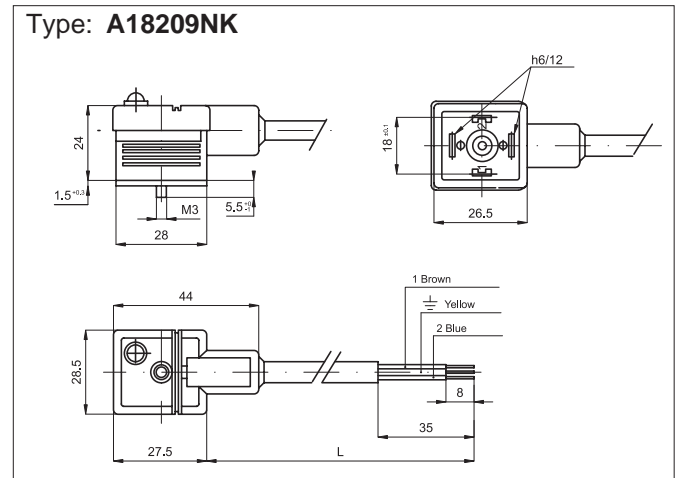
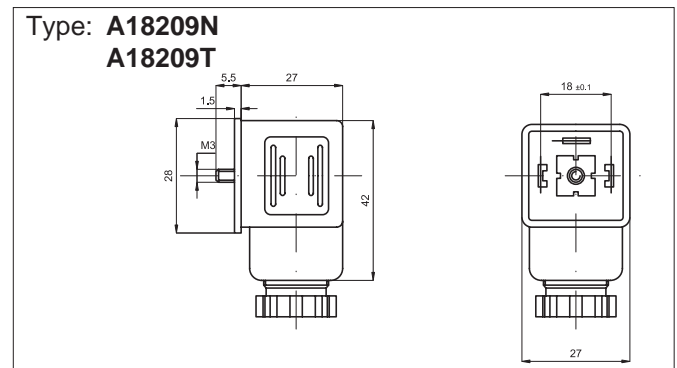
Series of connectors conforming to DIN 43650 - A/ISO 4400 standards for coils type ASA2.

In the standard version they are provided with fixing screw and NBR profiled seal.

In the provided versions the colour of the LED is yellow.

For **ATEX** connectors see page 2.210.50

Data of the standard cable	
Lenght	2 mt.
Material	Self-extinguishing polypropylene
Colour	Grey
Wires colour	Conforming to ENEL 0722 standards
External diameter	7,3 mm.
Insulation	300 V
Temperature range	- 5 °C ÷ + 70 °C
Standard	CEI 2022 II OR
Wire section	3x1 mm <sup>2</sup>



Technical data	Standard	Transparent with circuit	Moulding
Contact distance	18 mm	18 mm	18 mm
Nominal voltage	AC max 250 V; DC max 300 V	250 V	250 V
Nominal current	10 A	10 A	-
Maximum current on contacts	16 A	16 A	-
Maximum current	-	-	3 A
Contact resistance	≤ 4 m Ohm	≤ 4 m Ohm	≤ 4 m Ohm
Maximum conductor section	1,5 mm <sup>2</sup>	1,5 mm <sup>2</sup>	-
Gland size option	Pg 09	Pg 07	-
Protection class	IP 65 EN 60529	IP 65 EN 60529	IP 65 EN 60529
Insulation class	VDE 0110 - 1/89	VDE 0110 - 1/89	VDE 0110 - 1/89
Temperature range	- 40°C ÷ + 90 °C	- 40°C ÷ + 90 °C	- 40°C ÷ + 90 °C
Earth contact (number)	1	1	2 connected (pos. 6/12)
Poles	2	2	2