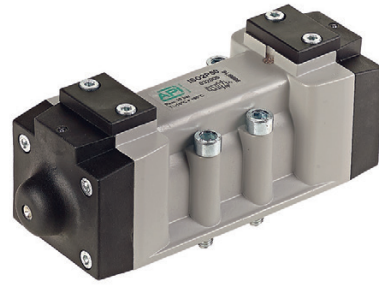


Valves ISO 5599/1

ISO2, 5/2 - 5/3, pneumatically operated



Standard executions			
Version	Symbol	Code	Item
5/2 pilot/spring		032005	ISO2P50
5/2 pilot/pilot		032011	ISO2P51
5/2 pilot/pilot differential		032012	ISO2P52
5/3 with closed centres		032013	ISO2P70
5/3 with open centres		032014	ISO2P71
5/3 with pressurised centres		032038	ISO2P72



Series of spool valves, conforming to ISO 5599/1 standards for the mounting only on sub-base.
For the sub-bases type SBA2... see page 2.137.1

Code key

Series	Size	Actuation	Function
ISO	1 2	P = pneumatic	50 = 5/2 pilot/spring 51 = 5/2 pilot/pilot 52 = 5/2 pilot/pilot differential 70 = 5/3 CC 71 = 5/3 OC 72 = 5/3 PC

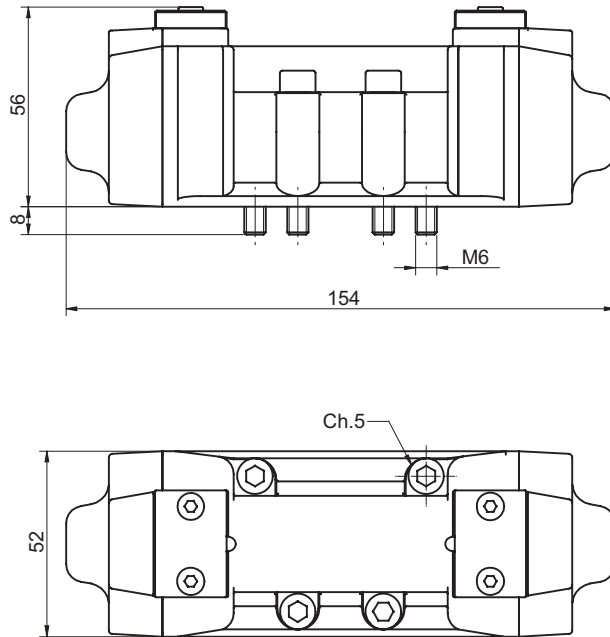


II 2Gc IIB T5
II 2Dc T100°C

On request, they can be supplied according to 2014/34/EU - **ATEX**

Technical data			
Fluid	Compressed filtered air with or without lubrication. Lubrication, if started, must be continued.		
Pressure range	0 ÷ 10 bar		
Temperature range	-10°C ÷ +60°C		
Orifice	15 mm		
Flow	2900 NI/min at 6 bar with ΔP 1 bar		
Minimum piloting pressure	Spring return: 2 bar	Bistable: 1 bar	3 positions: 2,5 bar
Mounting	In any position		
Manual override	Spring return on valve body		
Materials	Body:	Die-cast painted aluminium	
	Covers:	PBT	
	Spool:	Hard aluminium anodized	
	Distancers:	Aluminium	
	Seals:	Hydrogenated Nitrile Butadiene Rubber (HNBR)	

Valves ISO 5599/1
ISO2, 5/2 - 5/3, pneumatically operated



Version	Symbol	Code	Item
5/2 pilot/spring		032005	ISO2P50
5/2 pilot/pilot		032011	ISO2P51
5/2 pilot/pilot differential		032012	ISO2P52
5/3 with closed centres		032013	ISO2P70
5/3 with open centres		032014	ISO2P71
5/3 with pressurised centres		032038	ISO2P72

