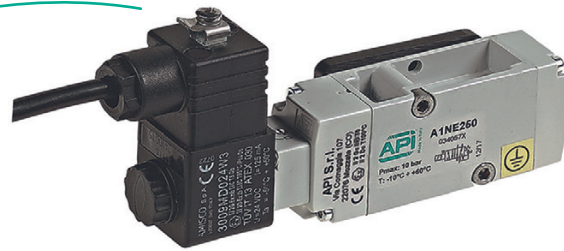


# Valves series A1- Encapsulated coil Ex mb 1/4", 3/2 - 5/2, NAMUR interface, electrically operated Ex mb



Standard executions		
Version	Symbol	Code
3/2 NC		For code key see table below
3/2 solenoid/solenoid		
5/2 solenoid/spring		
5/2 solenoid/solenoid		

*New*



Series of spool valves, with static seals, high flow, for mounting on NAMUR interface.

Solenoid operator with a special coil for pneumatic application in potentially explosive environment (group II).

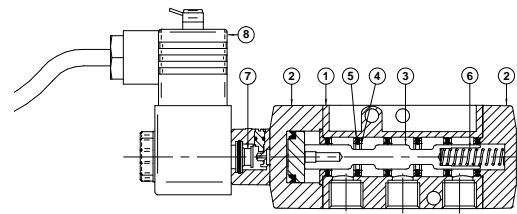
Solenoid system is conforming to 2014/34/EU Directive, certified:

II 2G Ex mb IIB T5 Gb  
II 2D Ex tb IIIC 95°C IP66 Db

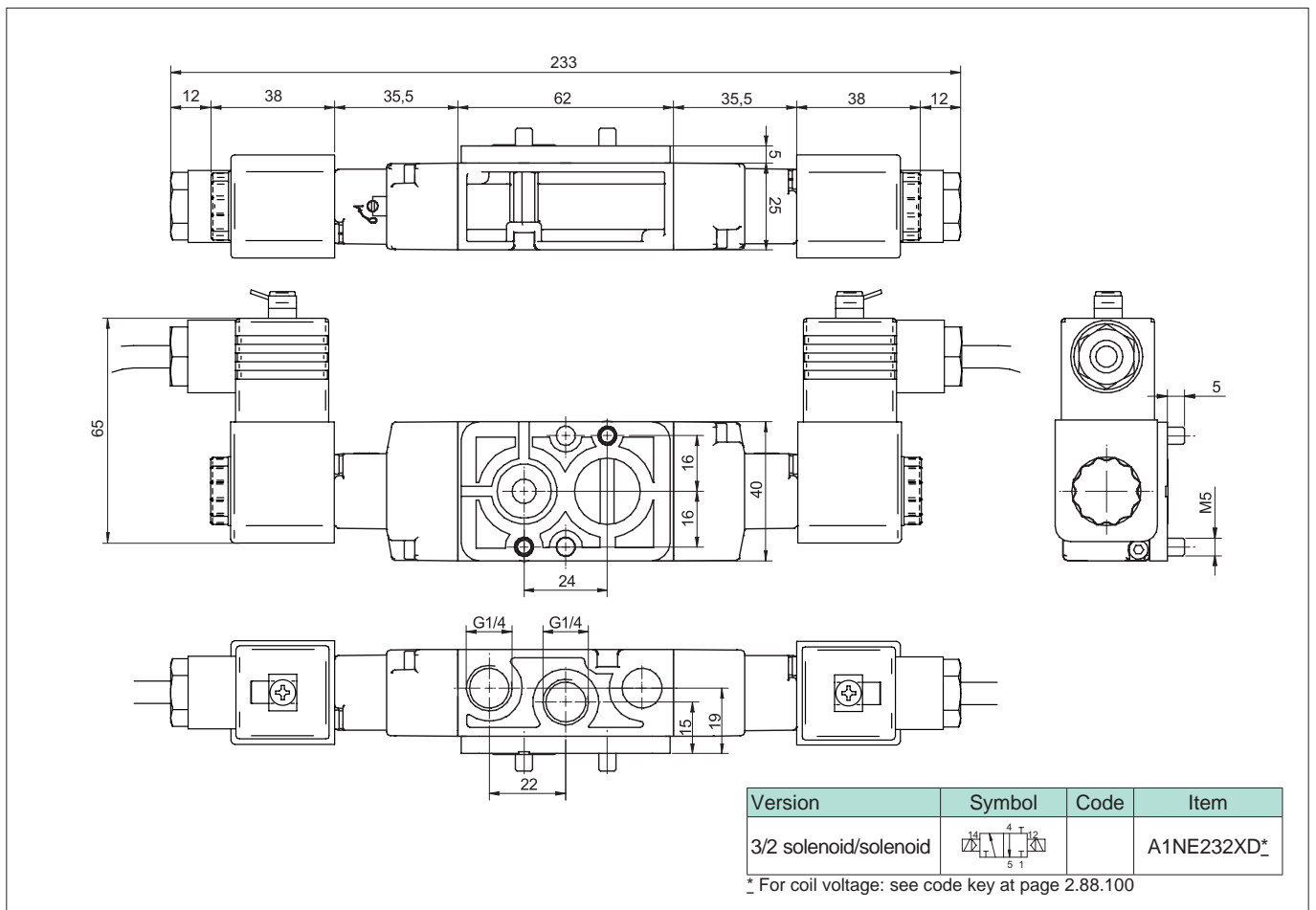
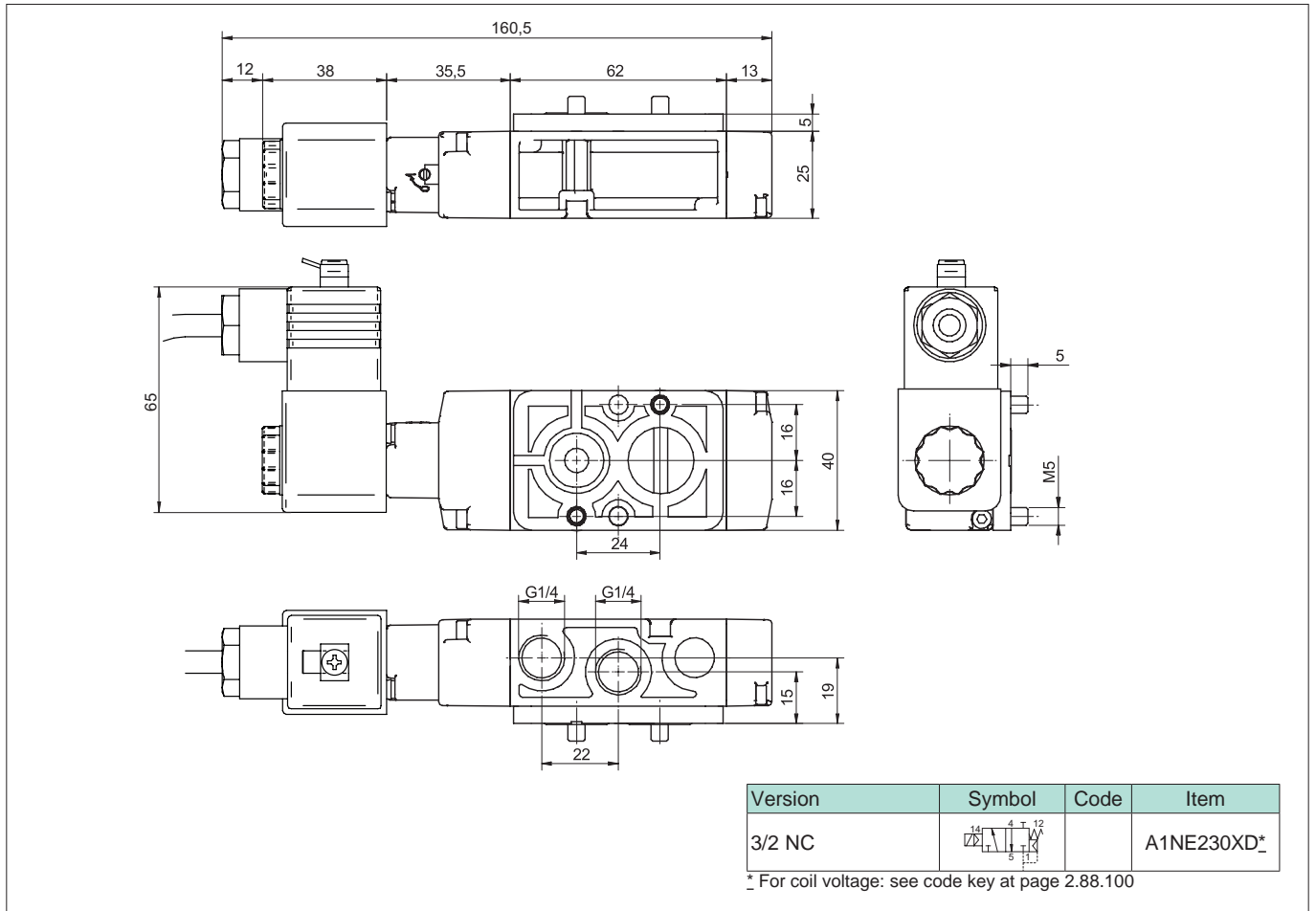
2

Code key																									
Series	Actuation	Size	Function	Hazardous areas	Voltages																				
A1N = NAMUR	E = electrical Ø9	2 = 1/4 Gas	30 = 3/2 NC 32 = 3/2 solenoid/solenoid 50 = 5/2 solenoid/spring 51 = 5/2 solenoid/solenoid	XD = II 2G Ex mb IIB T5 Gb II 2D Ex tb IIIC T95°C IP66 Db	<table border="0"> <tr> <td>A = 6 VDC</td> <td>E = 12 VAC</td> </tr> <tr> <td>B = 12 VDC</td> <td>F = 24 VAC*</td> </tr> <tr> <td>C = 24 VDC *</td> <td>G = 48 VAC*</td> </tr> <tr> <td>D = 48 VDC</td> <td>H = 100 VAC</td> </tr> <tr> <td></td> <td>I = 110 VAC*</td> </tr> <tr> <td></td> <td>L = 115 VAC</td> </tr> <tr> <td></td> <td>M = 120 VAC</td> </tr> <tr> <td></td> <td>O = 220 VAC*</td> </tr> <tr> <td></td> <td>P = 230 VAC</td> </tr> <tr> <td></td> <td>Q = 240 VAC</td> </tr> </table> <p>* = Standard voltages</p>	A = 6 VDC	E = 12 VAC	B = 12 VDC	F = 24 VAC*	C = 24 VDC *	G = 48 VAC*	D = 48 VDC	H = 100 VAC		I = 110 VAC*		L = 115 VAC		M = 120 VAC		O = 220 VAC*		P = 230 VAC		Q = 240 VAC
A = 6 VDC	E = 12 VAC																								
B = 12 VDC	F = 24 VAC*																								
C = 24 VDC *	G = 48 VAC*																								
D = 48 VDC	H = 100 VAC																								
	I = 110 VAC*																								
	L = 115 VAC																								
	M = 120 VAC																								
	O = 220 VAC*																								
	P = 230 VAC																								
	Q = 240 VAC																								

Technical data		
Fluid	Compressed filtered air with or without lubrication. Lubrication, if started, must be continued.	
Threaded connection	1/4 Gas	
Pressure range	Spring return: 1.5 ÷ 10 bar      Bistable: 1 ÷ 10 bar	
Minimum external air pressure	1.5 bar	
Temperature range	-25°C ÷ +50°C	
Ø Orifice	7 mm	
Flow	1.000 NI/min at 6 bar with ΔP 1 bar	
Mounting	In any position (vertical assembly is not recommended for bistable valves subjected to vibration)	
Manual override	Bistable	
Electrical characteristics	Nominal voltage	6 VDC   12 VDC   24 VDC   48 VDC   12 VAC   24VAC   48 VAC   100 VAC   110 VAC   115 VAC   120 VAC   220 VAC   230 VAC   240 VAC
	Frequency	-   -   -   -   50/60 Hz   50/60 Hz   50/60 Hz   50/60 Hz   50/60 Hz   50/60 Hz   50/60 Hz   50/60 Hz   50/60 Hz
	Nominal current	0.510 A   0.250 A   0.125 A   0.063 A   0.270 A   0.133 A   0.067 A   0.032 A   0.029 A   0.028 A   0.027 A   0.014 A   0.014 A   0.013 A
	Nominal power	3 W   3 W   3 W   3 W   3.2 VA   3.2 VA   3.2 VA   3.2 VA   3.2 VA   3.2 VA   3.2 VA   3.2 VA   3.2 VA   3.2 VA
	Duty cycle	100% ED
	Temp. class	T5
Response time (at 6 bar)	Energising: - ms      Energising: - ms      Energising: - ms	
	De-energising: - ms      De-energising: - ms      De-energising: - ms	
Materials	① Body: Die-cast painted aluminium	
	② Cover: Delrin 500	
	③ Spool: Hard aluminium anodized	
	④ Distancers: Fortron 1140L4	
	⑤ Seals: Hydrogenate Nitrile Butadine Rubber (HNBR)	
	⑥ Spring: Stainless steel	
	⑦ Operator: Brass	
	⑧ Coil: Thermoset resin	



Valves series A1- Encapsulated coil Ex mb  
 1/4", 3/2 - 5/2, NAMUR interface, electrically operated Ex mb



Valves series A1- Encapsulated coil Ex mb  
 1/4", 3/2 - 5/2, NAMUR interface, electrically operated Ex mb



Version	Symbol	Code	Item
5/2 solenoid/spring			A1NE250XD*

\* For coil voltage: see code key at page 2.88.100

Version	Symbol	Code	Item
5/2 solenoid/solenoid			A1NE251XD*

\* For coil voltage: see code key at page 2.88.100