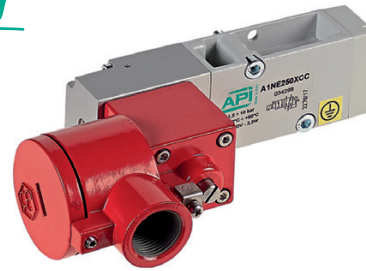


Valves series A1 - Flameproof coil Ex db

1/4", 3/2 - 5/2, NAMUR interface, electrically operated Ex db



New



Standard executions		
Version	Symbol	Code
3/2 NC		For code key see table below
3/2 solenoid/solenoid		
5/2 solenoid/spring		
5/2 solenoid/solenoid		

Series of spool valves, with static seals, high flow, for mounting on NAMUR interface

Flameproof solenoid operator is used extensively to prevent possible overheating or sparking of electrical equipment causing ignition in potentially explosive atmosphere.

Flameproof solenoid coil is enclosed in a robust enclosure which will contain an internal explosion should it occur and prevent its transmission to the surrounding atmosphere.

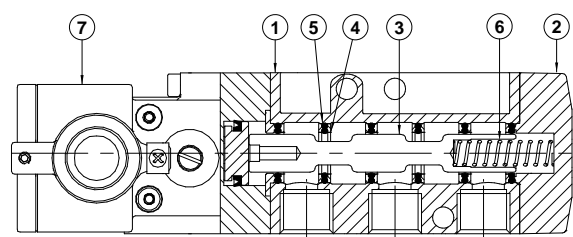
All construction joints in the enclosure are known as flame paths which prevent the transmission of a flame from the enclosure to the outside atmosphere.

II 2G Ex db IIB T6 Gb

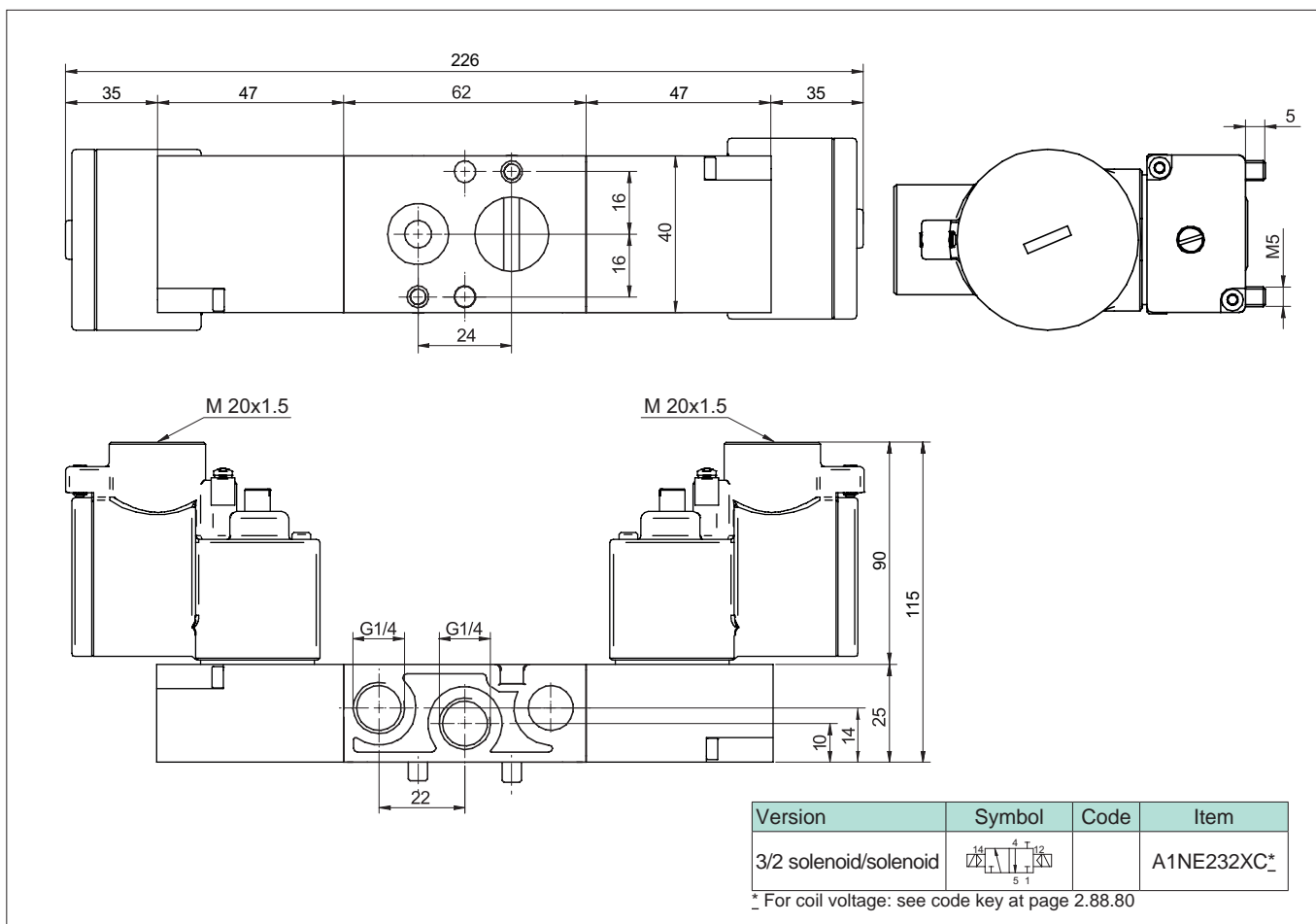
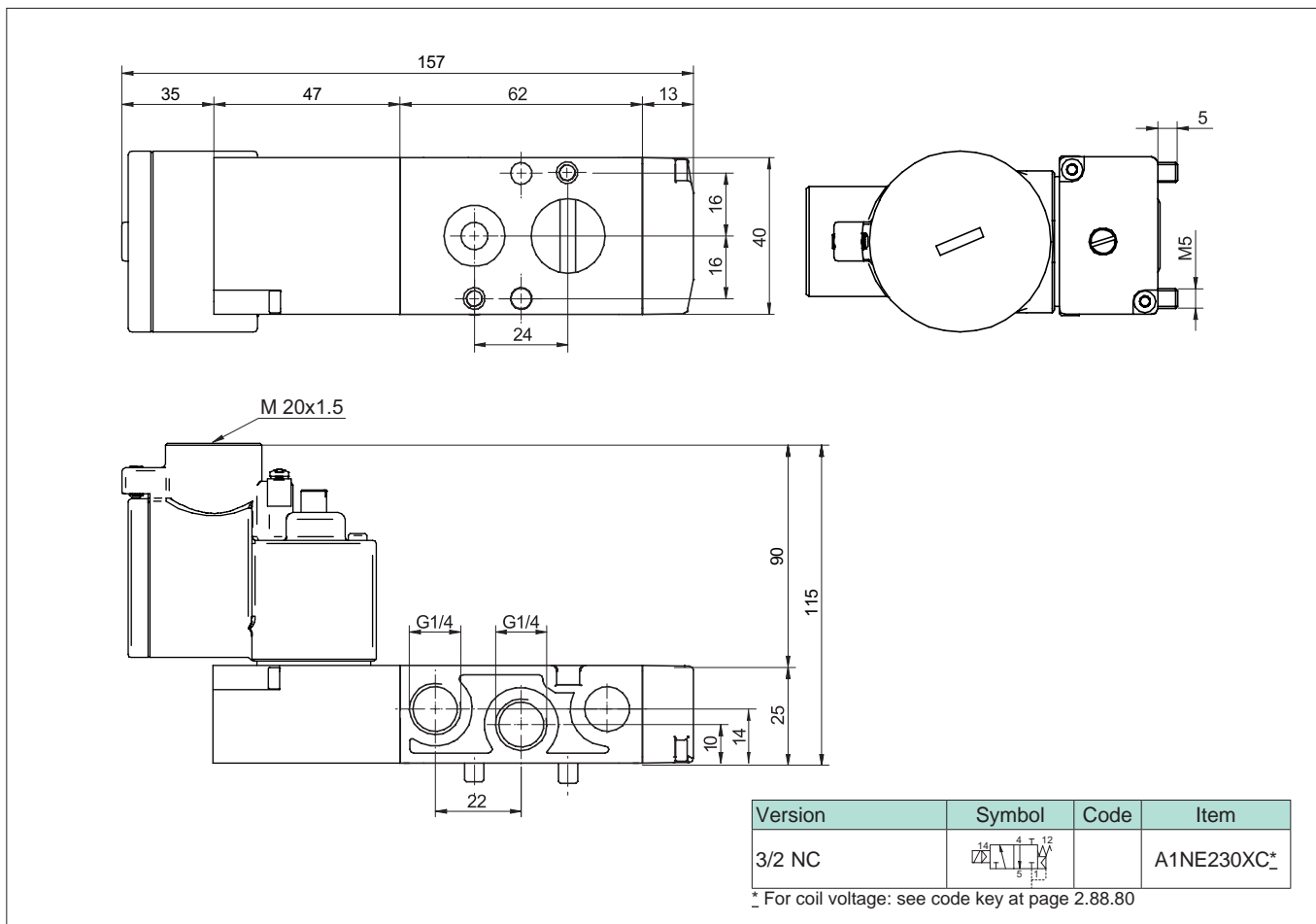
2

Code key															
Series	Actuation	Size	Function	Hazardous areas	Voltages										
A1N = NAMUR	E = electrical Ø9	2 = 1/4 Gas	30 = 3/2 NC 32 = 3/2 solenoid/solenoid 50 = 5/2 solenoid/spring 51 = 5/2 solenoid/solenoid	XC = II 2G Ex db IIB T6 Gb	<table border="0"> <tr> <td>B = 12 VDC</td> <td>F = 24 VAC *</td> </tr> <tr> <td>C = 24 VDC *</td> <td>I = 110 VAC *</td> </tr> <tr> <td></td> <td>M = 120 VAC *</td> </tr> <tr> <td></td> <td>O = 220 VAC *</td> </tr> <tr> <td></td> <td>Q = 240 VAC</td> </tr> </table> <p>* = Standard voltages</p>	B = 12 VDC	F = 24 VAC *	C = 24 VDC *	I = 110 VAC *		M = 120 VAC *		O = 220 VAC *		Q = 240 VAC
B = 12 VDC	F = 24 VAC *														
C = 24 VDC *	I = 110 VAC *														
	M = 120 VAC *														
	O = 220 VAC *														
	Q = 240 VAC														

Technical data								
Fluid	Compressed filtered air with or without lubrication. Lubrication, if started, must be continued.							
Threaded connection	1/4 Gas							
Pressure range	Spring return: 2 ÷ 8 bar			Bistable: 2 ÷ 8 bar				
Temperature range	-20°C ÷ +60°C							
Ø Orifice	7 mm							
Flow	1.000 NI/min a 6 bar con ΔP 1 bar							
Mounting	In any position (vertical assembly is not recommended for bistable valves subjected to vibration)							
Manual override	Bistable							
Electrical characteristics	Nominal voltage	12 VDC	24 VDC	24 VAC	110VAC	120 VAC	220 VAC	240 VAC
	Frequency	-	-	50 / 60 Hz	50 / 60 Hz	50 / 60 Hz	50 / 60 Hz	50 / 60 Hz
	Nominal current							
	Nominal power	3.5 W	3.5 W	4 VA	4 VA	4 VA	4 VA	4 VA
	Duty cycle	100% ED						
Temp. class	T6							
Response time (at 6 bar)	Energising: - ms			Energising: - ms		Energising: - ms		
	De-energising: - ms			De-energising: - ms		De-energising: - ms		
Materials	① Body:	Die-cast painted aluminium						
	② Cover:	Delrin 500						
	③ Spool:	Hard aluminium anodized						
	④ Distancers:	Fortron 1140L4						
	⑤ Seals:	Hydrogenate Nitrile Butadine Rubber (HNBR)						
	⑥ Spring	Stainless steel						
	⑦ Operator:	Die-cast painted aluminium						



Valves series A1- Encapsulated coil Ex db
 1/4", 3/2 - 5/2, NAMUR interface, electrically operated Ex db



Valves series A1 - Flameproof coil Ex db
 1/4", 3/2 - 5/2, NAMUR interface, electrically operated Ex db

