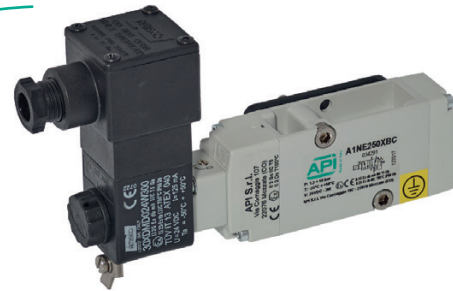


Valves series A1- Encapsulated coil Ex dm 1/4", 3/2 - 5/2, NAMUR interface, electrically operated Ex dm



New



Standard executions		
Version	Symbol	Code
3/2 NC		For code key see table below
3/2 solenoid/solenoid		
5/2 solenoid/spring		
5/2 solenoid/solenoid		

Series of spool valves, with static seals, high flow, for mounting on NAMUR interface.

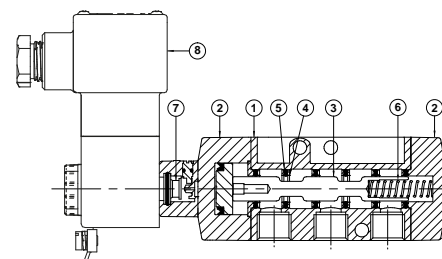
Solenoid operator with a special coil for pneumatic application in potentially explosive environment (group II).
The protection is assured by a thermal fuse that, in case of damage, disconnects the coil from power.
Solenoid system is conforming to 2014/34/EU Directive, certified:

II 2G Ex db mb IIB T5 Gb
II 2D Ex tb IIIC 95°C IP66 Db

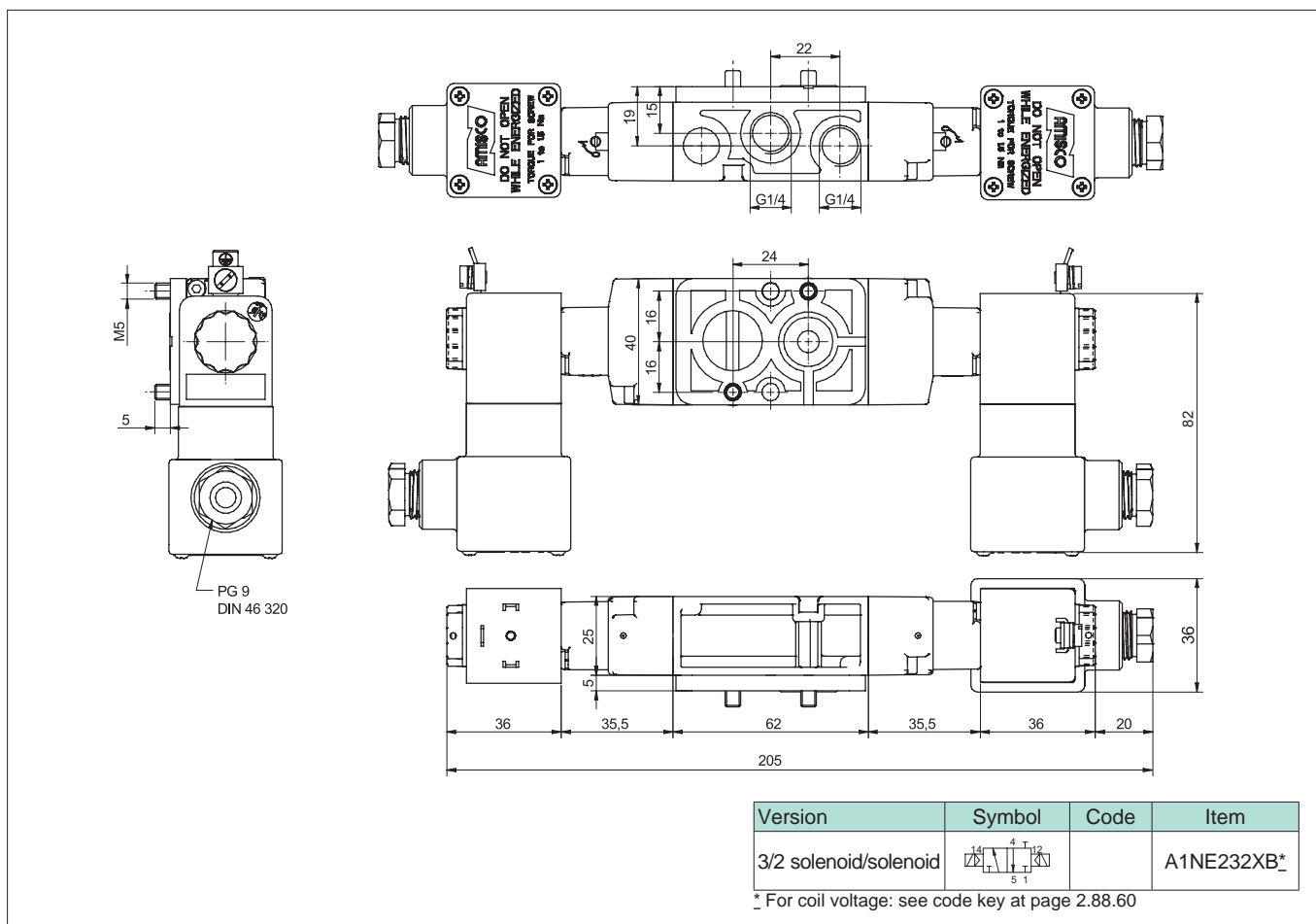
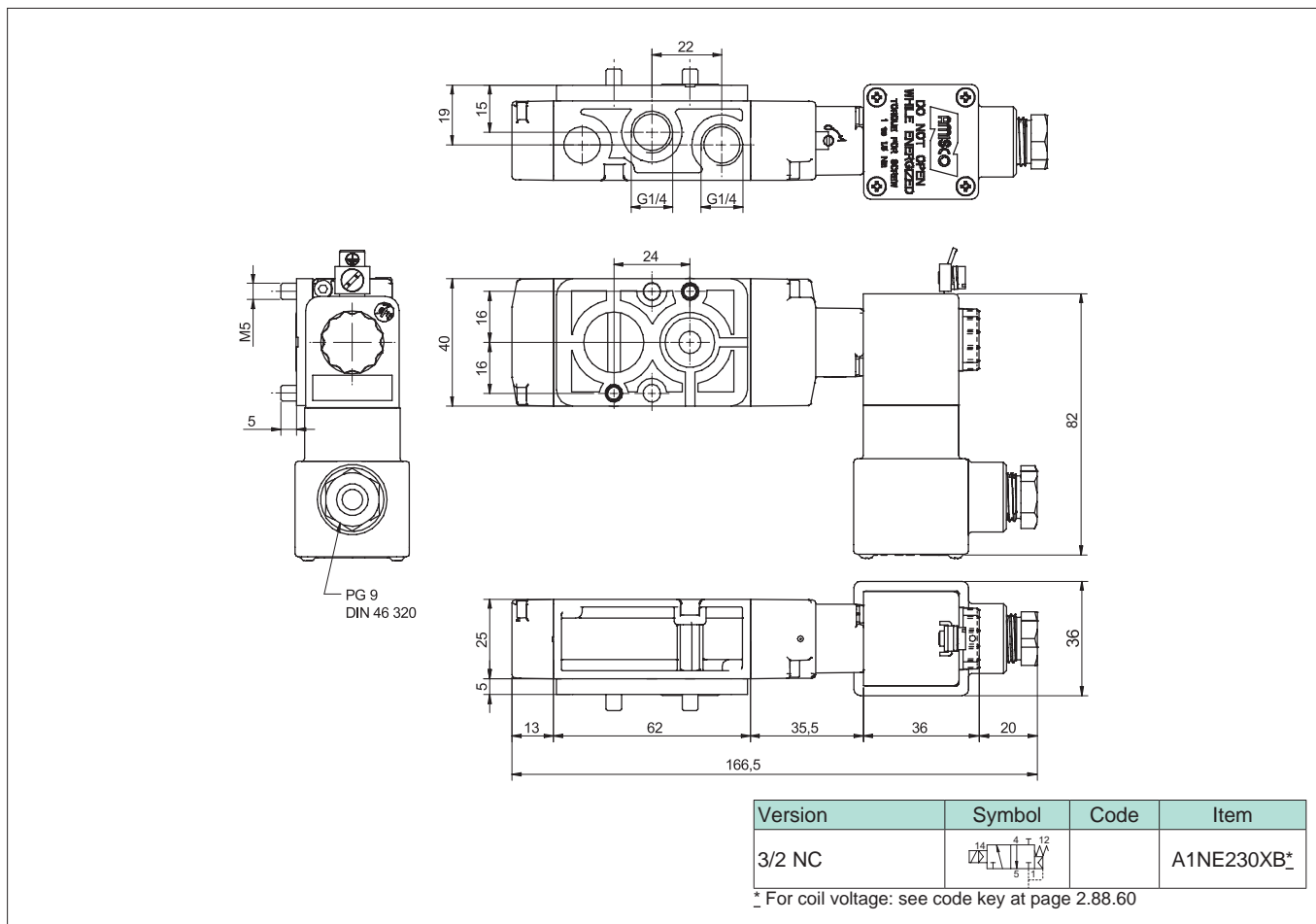
2

Code key																									
Series	Actuation	Size	Function	Hazardous areas	Voltages																				
A1N = NAMUR	E = electrical Ø9	2 = 1/4 Gas	30 = 3/2 NC 32 = 3/2 solenoid/solenoid 50 = 5/2 solenoid/spring 51 = 5/2 solenoid/solenoid	XB = II 2G Ex db mb IIB T5 Gb II 2D Ex tb IIIC T95°C IP66 Db	<table border="0"> <tr> <td>A = 6 VDC</td> <td>E = 12 VAC</td> </tr> <tr> <td>B = 12 VDC</td> <td>F = 24 VAC</td> </tr> <tr> <td>C = 24 VDC *</td> <td>G = 48 VAC</td> </tr> <tr> <td>D = 48 VDC</td> <td>H = 100 VAC</td> </tr> <tr> <td></td> <td>I = 110 VAC</td> </tr> <tr> <td></td> <td>L = 115 VAC</td> </tr> <tr> <td></td> <td>M = 120 VAC</td> </tr> <tr> <td></td> <td>O = 220 VAC</td> </tr> <tr> <td></td> <td>P = 230 VAC</td> </tr> <tr> <td></td> <td>Q = 240 VAC</td> </tr> </table> <p>* = Standard voltages</p>	A = 6 VDC	E = 12 VAC	B = 12 VDC	F = 24 VAC	C = 24 VDC *	G = 48 VAC	D = 48 VDC	H = 100 VAC		I = 110 VAC		L = 115 VAC		M = 120 VAC		O = 220 VAC		P = 230 VAC		Q = 240 VAC
A = 6 VDC	E = 12 VAC																								
B = 12 VDC	F = 24 VAC																								
C = 24 VDC *	G = 48 VAC																								
D = 48 VDC	H = 100 VAC																								
	I = 110 VAC																								
	L = 115 VAC																								
	M = 120 VAC																								
	O = 220 VAC																								
	P = 230 VAC																								
	Q = 240 VAC																								

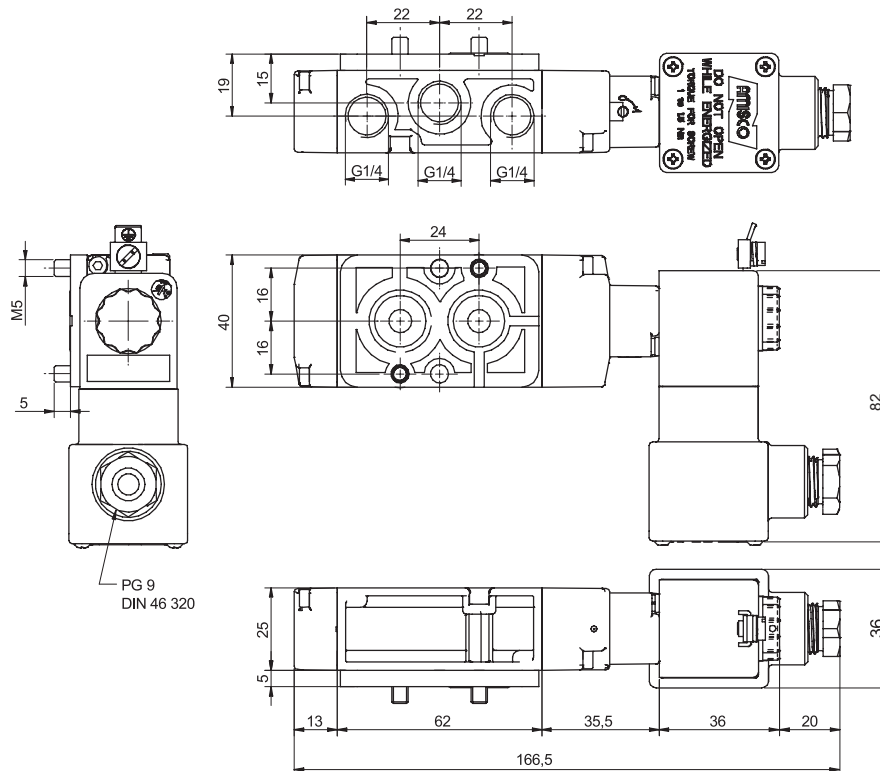
Technical data																
Fluid	Compressed filtered air with or without lubrication. Lubrication, if started, must be continued.															
Threaded connection	1/4 Gas															
Pressure range	Spring return: 1.5 ÷ 10 bar							Bistable: 1 ÷ 10 bar								
Minimum external air pressure	1.5 bar															
Temperature range	-25°C ÷ +50°C															
Ø Orifice	7 mm															
Flow	1.000 NI/min at 6 bar with ΔP 1 bar															
Mounting	In any position (vertical assembly is not recommended for bistable valves subjected to vibration)															
Manual override	Bistable															
Electrical characteristics	Nominal voltage	6 VDC	12 VDC	24 VDC	48 VDC	12 VAC	24VAC	48 VAC	100 VAC	110 VAC	115 VAC	120 VAC	220 VAC	230 VAC	240 VAC	
	Frequency	-	-	-	-	50/60 Hz	50/60 Hz	50/60 Hz	50/60 Hz	50/60 Hz	50/60 Hz	50/60 Hz	50/60 Hz	50/60 Hz	50/60 Hz	
	Nominal current	0.510 A	0.250 A	0.125 A	0.063 A	0.270 A	0.133 A	0.067 A	0.032 A	0.029 A	0.028 A	0.027 A	0.014 A	0.014 A	0.013 A	
	Nominal power	3 W	3 W	3 W	3 W	3.2 VA	3.2 VA	3.2 VA	3.2 VA	3.2 VA	3.2 VA	3.2 VA	3.2 VA	3.2 VA	3.2 VA	
	Duty cycle	100% ED														
	Temp. class	T5														
Response time (at 6 bar)	Energising: - ms					Energising: - ms					Energising: - ms					
	De-energising: - ms					De-energising: - ms					De-energising: - ms					
Materials	① Body:	Die-cast painted aluminium														
	② Cover:	Delrin 500														
	③ Spool:	Hard aluminium anodized														
	④ Distancers:	Fortron 1140L4														
	⑤ Seals:	Hydrogenate Nitrile Butadine Rubber (HNBR)														
	⑥ Spring:	Stainless steel														
	⑦ Operator:	Brass														
	⑧ Coil:	Thermoset resin														



Valves series A1- Encapsulated coil Ex dm
 1/4", 3/2 - 5/2, NAMUR interface, electrically operated Ex dm



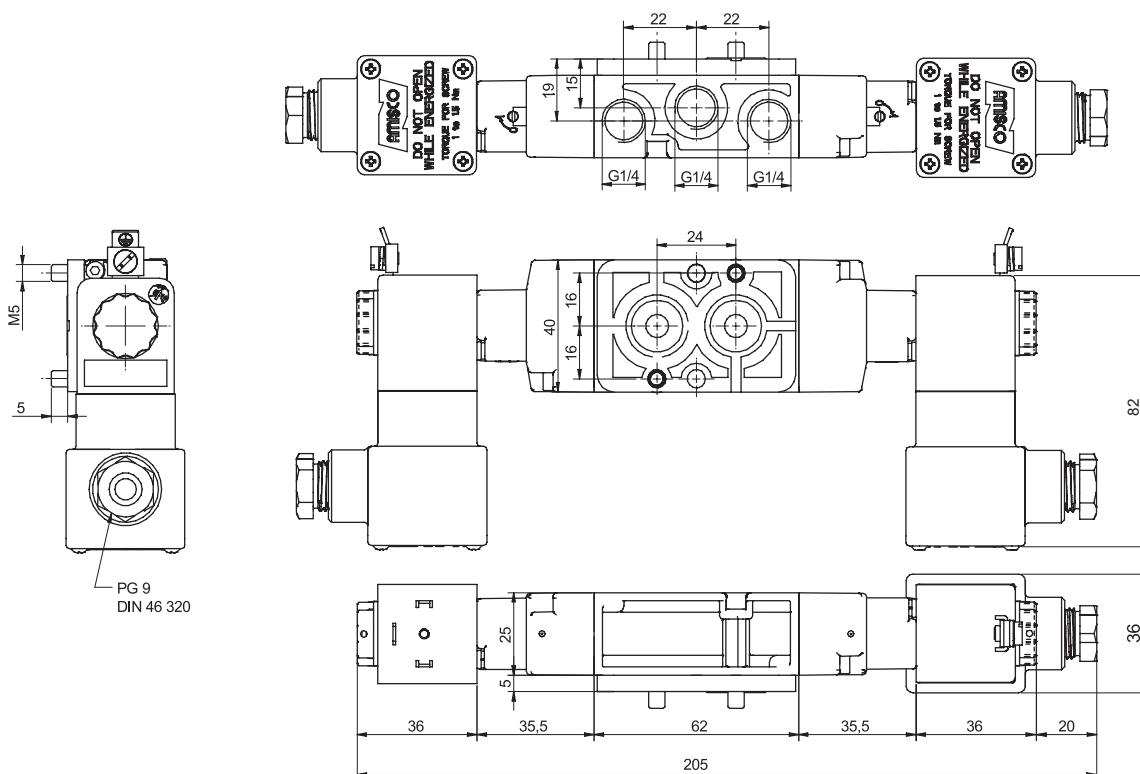
Valves series A1- Encapsulated coil Ex dm
 1/4", 3/2 - 5/2, NAMUR interface, electrically operated Ex dm



Version	Symbol	Code	Item
5/2 solenoid/spring			A1NE250XB*

* For coil voltage: see code key at page 2.88.60

2



Version	Symbol	Code	Item
5/2 solenoid/solenoid			A1NE251XB*

* For coil voltage: see code key at page 2.88.60