

Valves series A1- Intrinsic safety Ex ia 1/4", 3/2 - 5/2, NAMUR interface, electrically operated Ex ia



New



Standard executions		
Version	Symbol	Code
3/2 NC		For code key see table below
3/2 solenoid/solenoid		
5/2 solenoid/spring		
5/2 solenoid/solenoid		

Series of spool valves, with static seals, high flow, for mounting on NAMUR interface

Low consumption solenoid operator, conforming to 2014/34/EU Directive, certified:

II 2G Ex ia IIB T6 Ga

II 2G Ex ia IIB T4 Ga

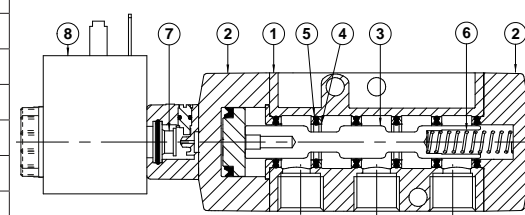
Connectors have to be ordered separately:

For connector type A18209N/ATEX

see page 2.210.50

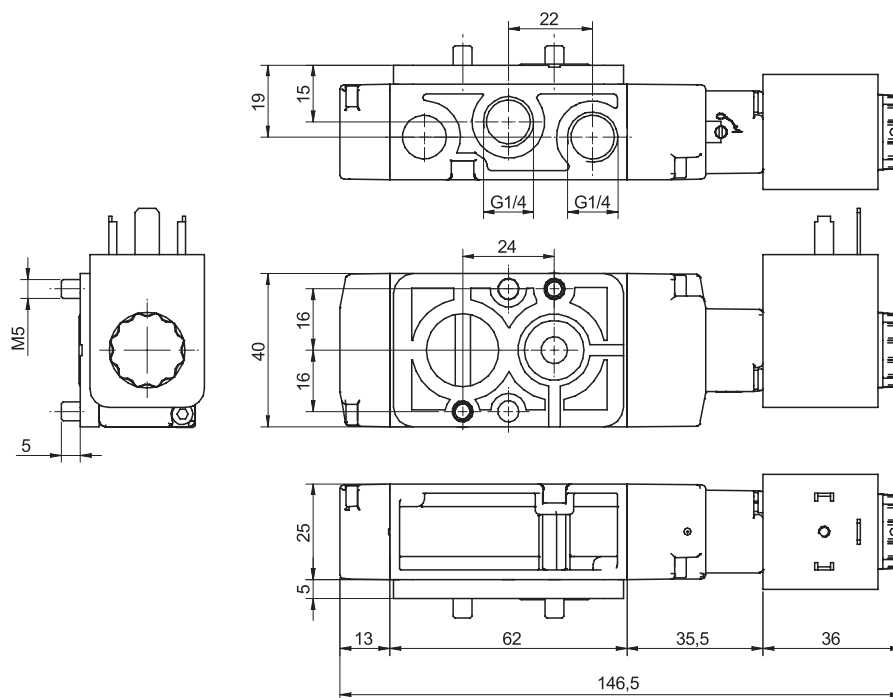
Code key					
Series	Actuation	Size	Function	Hazardous areas	Voltages
A1N = NAMUR	E = electrical Ø9	2 = 1/4 Gas	30 = 3/2 NC 32 = 3/2 solenoid/solenoid 50 = 5/2 solenoid/spring 51 = 5/2 solenoid/solenoid	XA = II 2G Ex ia IIB T6 Ga XA1 = II 2G Ex ia IIB T4 Ga	C = 24 VDC

Technical data			
Fluid	Compressed filtered air with or without lubrication. Lubrication, if started, must be continued.		
Threaded connection	1/4 Gas		
Pressure range	Spring return: 2 ÷ 7 bar	Bistable: 2 ÷ 7 bar	
Minimum external air pressure	2 bar		
Temperature range	-10°C ÷ +50°C		
Ø Orifice	7 mm		
Flow	1.000 NI/min a 6 bar con ΔP 1 bar		
Mounting	In any position (vertical assembly is not recommended for bistable valves subjected to vibration)		
Manual override	Bistable		
Electrical characteristics	Nominal voltage	21.6 ÷ 28 VDC	21.6 ÷ 28 VDC
	Max voltage	28 VDC	28 VDC
	Nominal current	0.115 A (at 28 VDC)	0.115 A (at 28 VDC)
	Nominal power	1.6 W (at 28 VDC)	1.6 W (at 28 VDC)
	Duty cycle	100% ED	100% ED
	Temp. class	T6	T4
Response time (at 6 bar)	Energising: - ms	Energising: - ms	Energising: - ms
	De-energising: - ms	De-energising: - ms	De-energising: - ms
Materials	① Body:	Die-cast painted aluminium	
	② Cover:	Delrin 500	
	③ Spool:	Hard aluminium anodized	
	④ Distancers:	Fortron 1140L4	
	⑤ Seals:	Hydrogenate Nitrile Butadine Rubber (HNBR)	
	⑥ Spring:	Stainless steel	
	⑦ Operator:	Brass	
	⑧ Coil:	Thermoset resin	



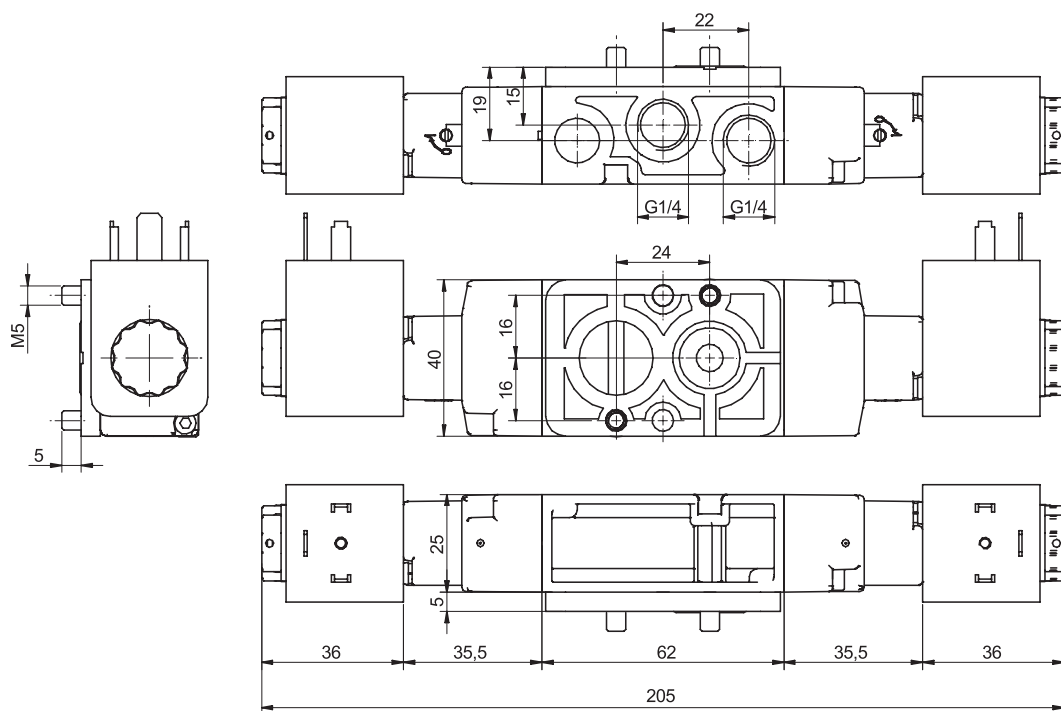
2

Valves series A1- Intrinsic safety Ex ia
 1/4", 3/2 - 5/2, NAMUR interface, electrically operated Ex ia



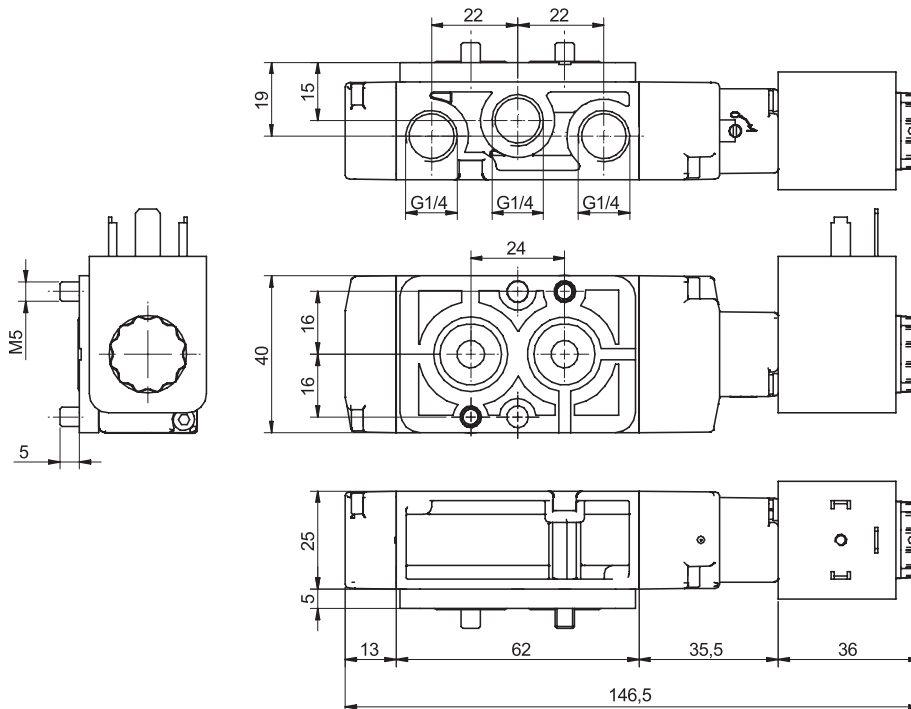
Version	Symbol	Code	Item
3/2 NC			A1NE230XA*

* For coil voltage: see code key at page 2.88.40



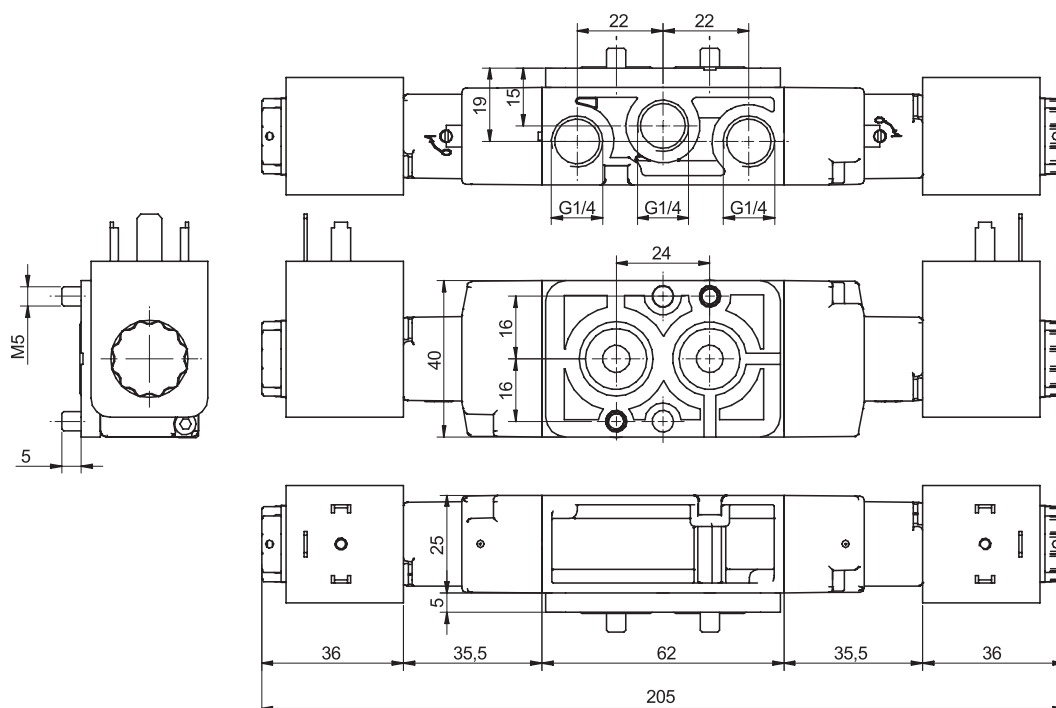
Version	Symbol	Code	Item
3/2 solenoid/solenoid			A1NE232XA*

* For coil voltage: see code key at page 2.88.40



Version	Symbol	Code	Item
5/2 solenoid/spring			A1NE250XA*

* For coil voltage: see code key at page 2.88.40



Version	Symbol	Code	Item
5/2 solenoid/solenoid			A1NE251XA*

* For coil voltage: see code key at page 2.88.40