

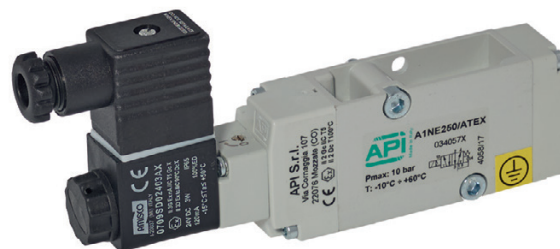
Valves series A1 - Non-sparking coil Ex nA

1/4", 3/2 - 5/2, NAMUR interface, electrically operated Ex nA



Standard executions		
Version	Symbol	Code
3/2 NC		For code key see table below
3/2 solenoid/solenoid		
5/2 solenoid/spring		
5/2 solenoid/solenoid		

New



Solenoid operator with a special coil for pneumatic application in potentially explosive environment (group II).

Solenoid system is conforming to 2014/34/EU Directive, certified:

II 3G Ex nA IIB T5 Gc X
II 3D Ex tc IIIC T95°C Dc X

Connectors have to be ordered separately:

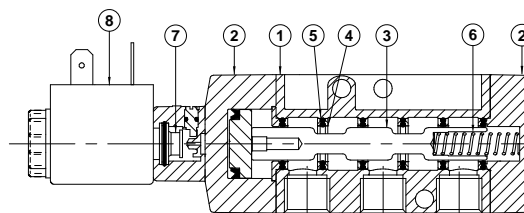
For connector type A12209N/ATEX

see page 2.210.50

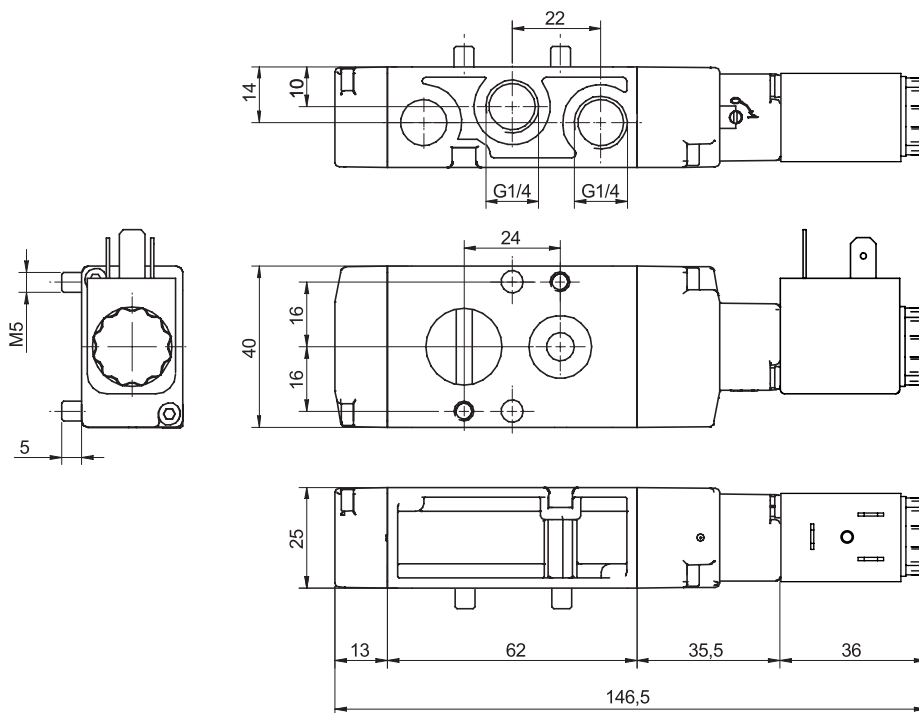


Code key					
Series	Actuation	Size	Function	Hazardous areas	Voltages
A1N = NAMUR	E = electrical Ø9	2 = 1/4 Gas	30 = 3/2 NC 32 = 3/2 solenoid/solenoid 50 = 5/2 solenoid/spring 51 = 5/2 solenoid/solenoid	XX = II 3G Ex nA IIB T5 Gc X II 3D Ex tc IIIC T95°C Dc X	B = 12 VDC C = 24 VDC * F = 24 VAC * I = 110 VAC * O = 220 VAC * * = Standard voltages

Technical data							
Fluid	Compressed filtered air with or without lubrication. Lubrication, if started, must be continued.						
Threaded connection	1/4 Gas						
Pressure range	Spring return: 1,5 ÷ 10 bar			Bistable: 1 ÷ 10 bar			
Temperature range	-15°C ÷ +50°C						
Ø Orifice	7 mm						
Flow	1.000 NI/min at 6 bar with ΔP 1 bar						
Mounting	In any position (vertical assembly is not recommended for bistable valves subjected to vibration)						
Manual override	Bistable						
Electrical characteristics	Nominal voltage	12 VDC	24 VDC	24 VAC	110 VAC	220 VAC	
	Frequency	-	-	50 / 60 Hz	50 / 60 Hz	50 / 60 Hz	
	Nominal current	0.250 A	0.120 A	0.208 A	0.045 A	-0.023 A	
	Nominal power	3 W	3 W	5 VA	5 VA	5 VA	
	Duty cycle	100% ED					
	Temp. class	T5					
Response time (at 6 bar)	Energising: - ms			Energising: - ms		Energising: - ms	
	De-energising: - ms			De-energising: - ms		De-energising: - ms	
Materials	① Body:	Die-cast painted aluminium					
	② Cover:	Delrin 500					
	③ Spool:	Hard aluminium anodized					
	④ Distancers:	Fortron 1140L4					
	⑤ Seals:	Hydrogenate Nitrile Butadiene Rubber (HNBR)					
	⑥ Spring:	Stainless steel					
	⑦ Operator:	Brass					
	⑧ Coil:	Thermoset resin					

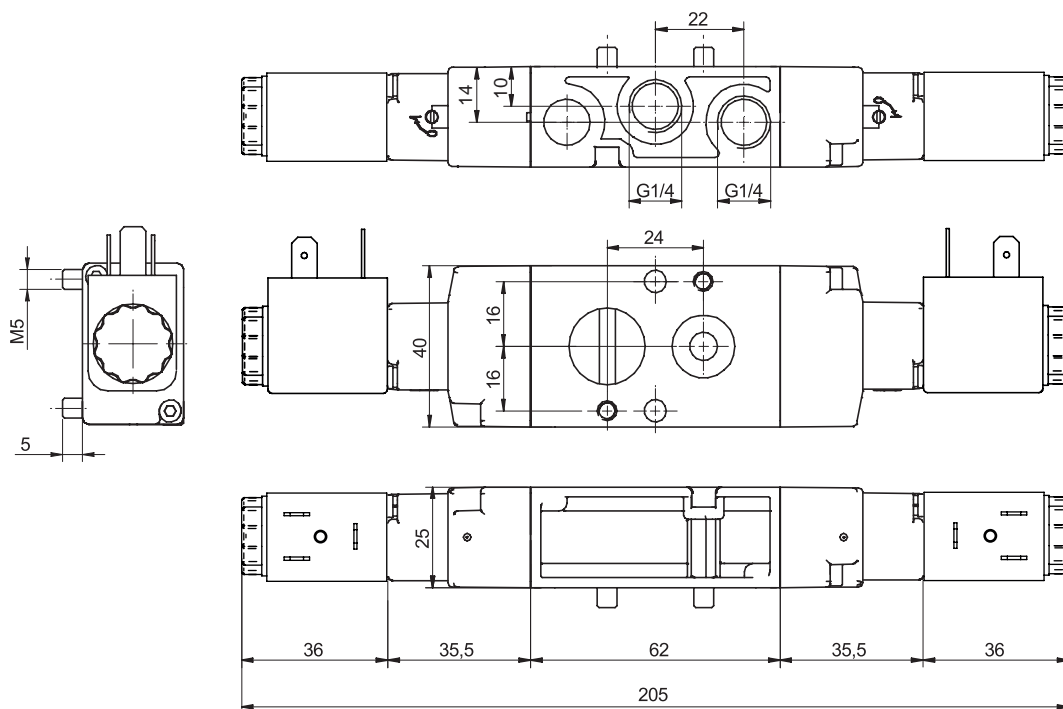


Valves series A1 - Non-sparking coil Ex nA
 1/4", 3/2 - 5/2, NAMUR interface, electrically operated Ex nA



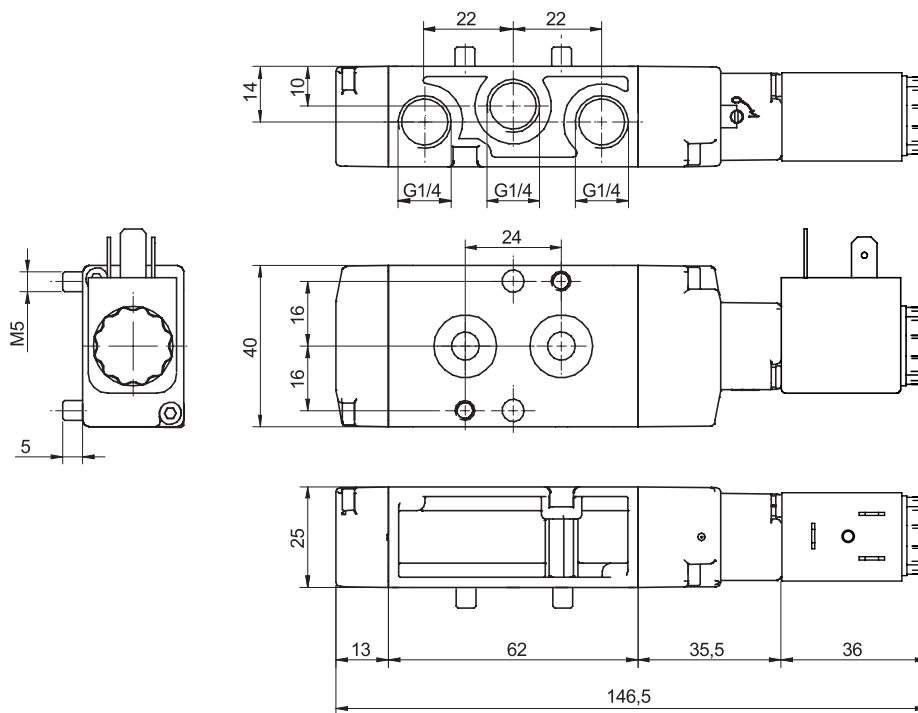
Version	Symbol	Code	Item
3/2 NC			A1NE230XX*

* For coil voltage: see code key at page 2.88.20



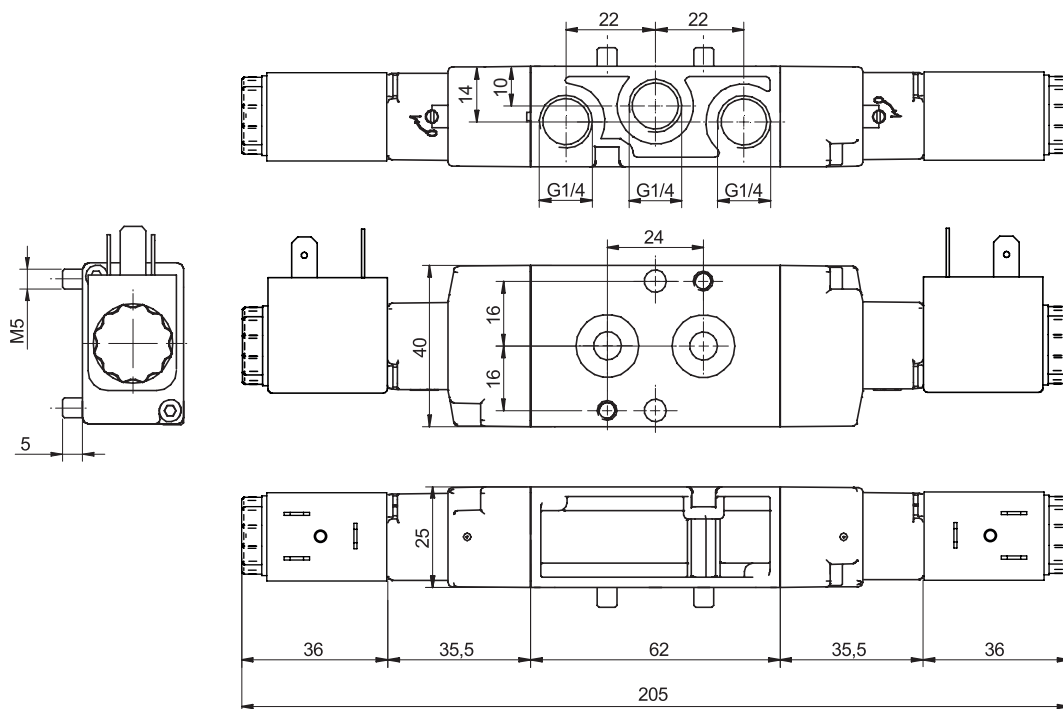
Version	Symbol	Code	Item
3/2 solenoid/solenoid			A1NE232XX*

* For coil voltage: see code key at page 2.88.20



Version	Symbol	Code	Item
5/2 solenoid/spring			A1NE250XX*

* For coil voltage: see code key at page 2.88.20



Version	Symbol	Code	Item
5/2 solenoid/solenoid			A1NE251XX*

* For coil voltage: see code key at page 2.88.20