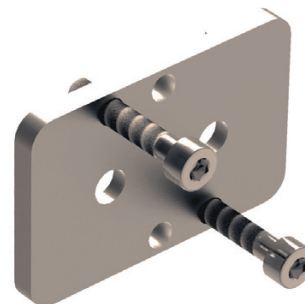


# Mounting plates

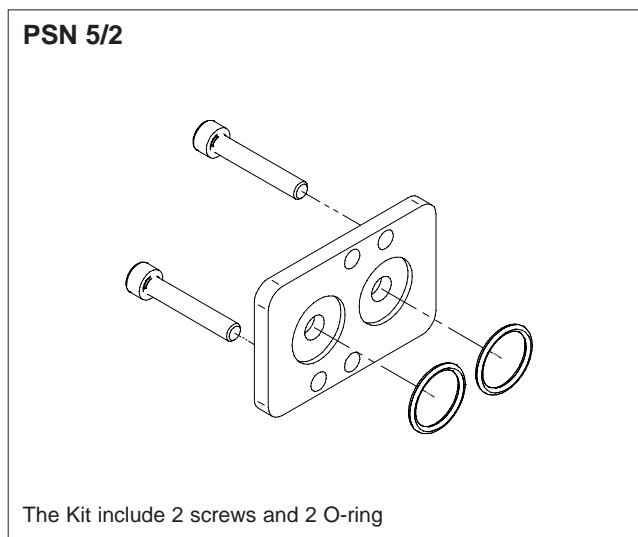
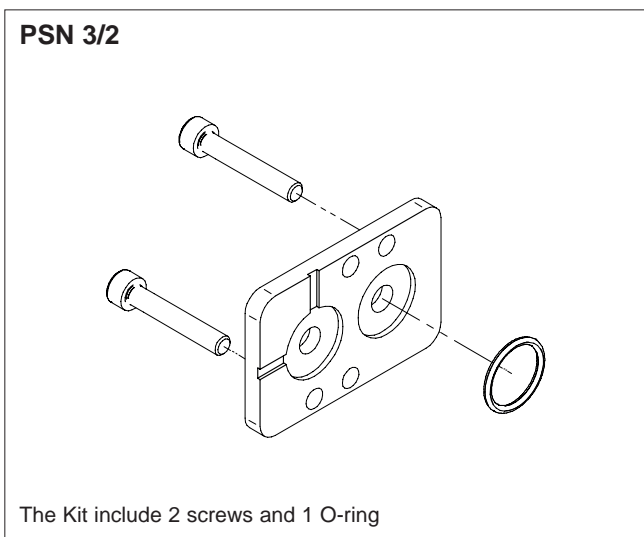
For valves with NAMUR interface, electrically operated



Standard executions		
Version	Code	Item
For valves NAMUR 3/2	034203	PSN 3/2
For valves NAMUR 5/2	034166	PSN 5/2



Plates to be mounted between NAMUR valve body and actuator in presence of coils thicker of the valve body.



Technical data		
Materials	Plate:	Anodised aluminium
	Screws:	Stainless steel
	Seals:	Hydrogenated Nitrile Butadiene Rubber (HNBR)