

# Valves series A1

## 1/8", 5/2 - 5/3, pneumatically operated



### Standard executions

Version	Symbol	Code	Item
5/2 pilot/pilot		034001	A1P150
5/2 pilot/pilot		034002	A1P151
5/2 pilot/pilot differential		034018	A1P152
5/3 with closed centres		034019	A1P170
5/3 with open centres		034020	A1P171
5/3 with pressurised centers		034022	A1P172



Series of spool valves, with static seals, high flow, for panel or sub-base mounting.  
For the sub-bases type A1B1... see page 2.65.1

### Code key

Series	Actuation	Size	Function
A1	P = pneumatic	1 = 1/8"	50 = 5/2 pilot/spring 51 = 5/2 pilot/pilot 52 = 5/2 pilot/pilot differential 70 = 5/3 CC 71 = 5/3 OC 72 = 5/3 PC



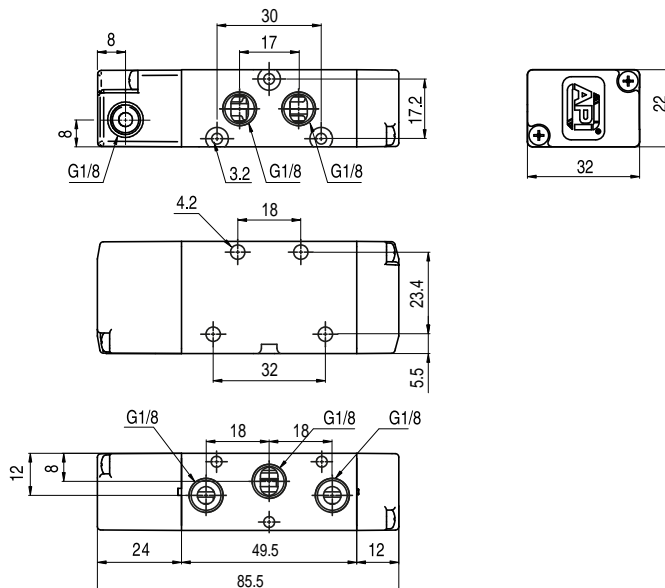
**II 2Gc IIB T5**  
**II 2Dc T100°C**

On request, they can be supplied according to 2014/34/EU - ATEX

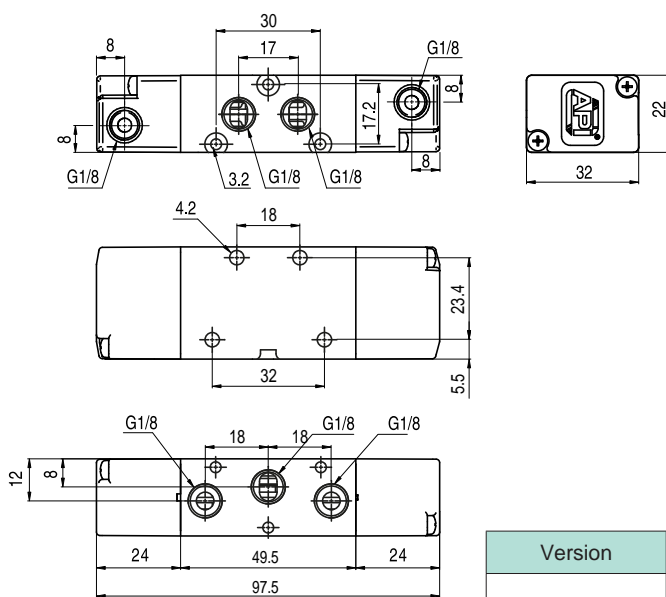
### Technical data

Fluid	Compressed filtered air with or without lubrication. Lubrication, if started, must be continued.		
Pressure range	Spring return: 1,5 ÷ 10 bar	Bistable: 1 ÷ 10 bar	3 position: 2,5 ÷ 10 bar
Temperature range	-10°C ÷ +60°C		
Orifice	6,5 mm		
Flow	650 NI/min at 6 bar with ΔP 1bar		
Minimum piloting pressure	1,5 bar		
Mounting	In any position		
Materials	Body:	Anodised aluminium	
	Covers:	Delrin 500	
	Spool:	Hard aluminium anodized	
	Distancers:	Fortron 1140 L4	
	Seals:	Hydrogenated Nitrile Butadiene Rubber (HNBR)	

Valves series A1  
1/8", 5/2 - 5/3, pneumatically operated



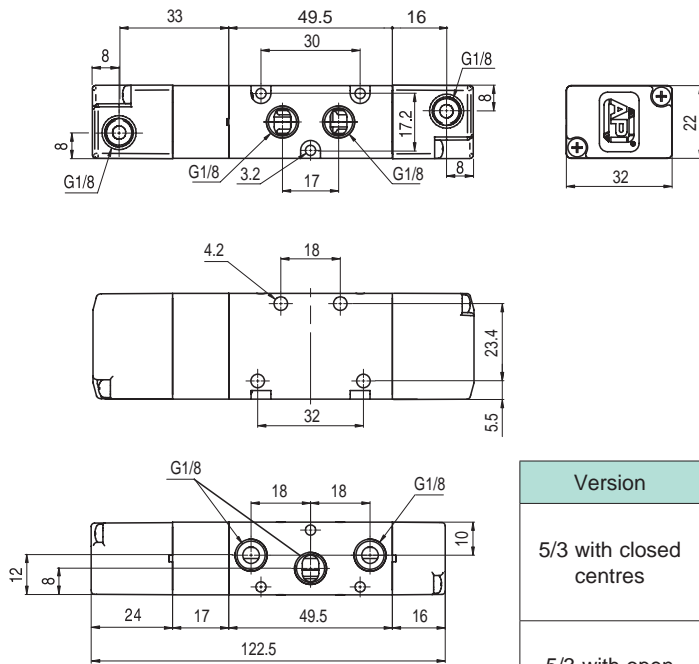
Version	Symbol	Code	Item
5/2 pilot/spring		034001	A1P150



Version	Symbol	Code	Item
5/2 pilot/pilot		034002	A1P151
5/2 pilot/pilot differential		034018	A1P152

2

Valves series A1  
1/8", 5/2 - 5/3, pneumatically operated



Version	Symbol	Code	Item
5/3 with closed centres		034019	A1P170
5/3 with open centres		034020	A1P171
5/3 with pressurised centres		034022	A1P172