

# Valves series A1

## 1/8", 3/2, pneumatically operated



| Standard executions          |        |        |        |
|------------------------------|--------|--------|--------|
| Version                      | Symbol | Code   | Item   |
| 3/2 NC                       |        | 034014 | A1P130 |
| 3/2 NO                       |        | 034015 | A1P131 |
| 3/2 pilot/pilot              |        | 034016 | A1P132 |
| 3/2 pilot/pilot differential |        | 034017 | A1P133 |



Series of spool valves, with static seals, high flow, for panel or sub-base mounting.  
For the sub-bases type A1B1... see page.2.65.1

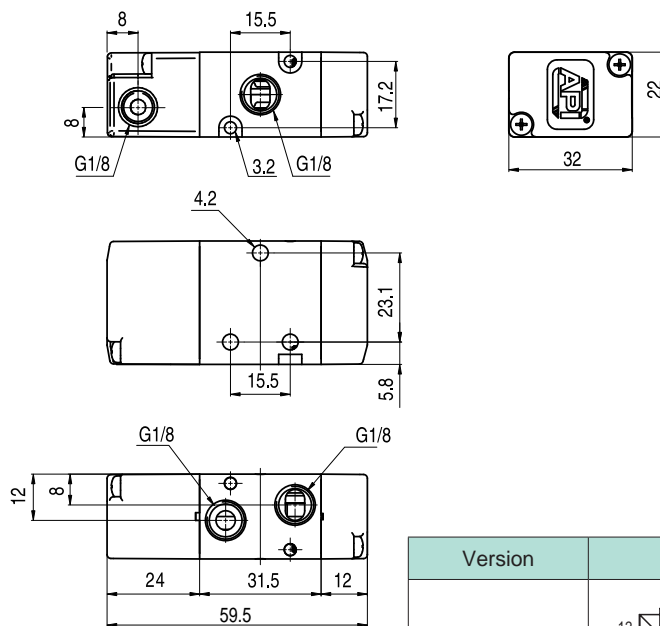


On request, they can be supplied according to 2014/34/EU - ATEX

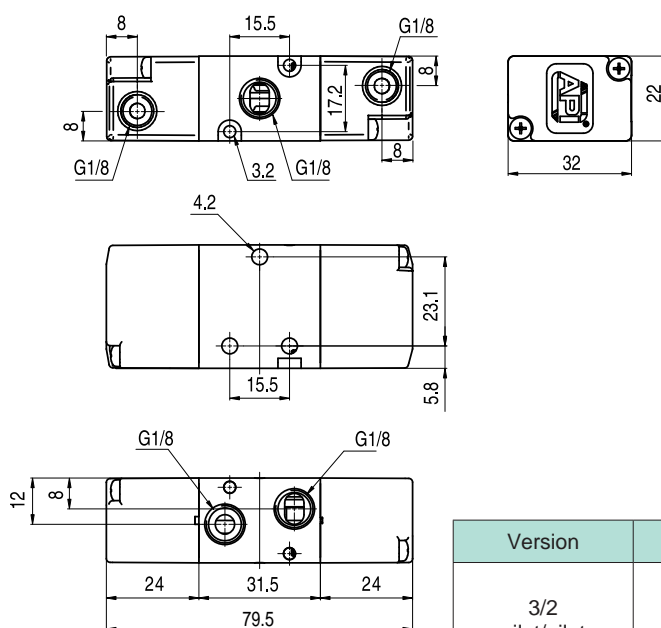
### Code key

| Series | Actuation     | Size     | Function  |
|--------|---------------|----------|---|
| A1     | P = pneumatic | 1 = 1/8" | 30 = 3/2 NC<br>31 = 3/2 NO<br>32 = 3/2 pilot/pilot<br>33 = 3/2 pilot/pilot differential |

| Technical data            |  |
|---------------------------|--|
| Fluid                     | Compressed filtered air with or without lubrication. Lubrication, if be used, must be continous.   |
| Pressure range            | Spring return: 1,5 ÷ 10 bar      Bistable: 1 ÷ 10 bar  |
| Temperature range         | -10°C ÷ +60°C  |
| Orifice                   | 6,5 mm   |
| Flow                      | 650 NI/min at 6 bar with ΔP 1bar   |
| Minimum piloting pressure | 1,5 bar  |
| Mounting                  | In any position  |
| Materials                 | Body: Anodised aluminium<br>Covers: Delrin 500<br>Spool: Hard aluminium anodized<br>Distancers: Fortron 1140 L4<br>Seals: Hydrogenated Nitrile Butadiene Rubber (HNBR) |



| Version | Symbol | Code   | Item   |
|---------|--------|--------|--------|
| 3/2 NC  |        | 034014 | A1P130 |
| 3/2 NO  |        | 034015 | A1P131 |



| Version                      | Symbol | Code   | Item   |
|------------------------------|--------|--------|--------|
| 3/2 pilot/pilot              |        | 034016 | A1P132 |
| 3/2 pilot/pilot differential |        | 034017 | A1P133 |