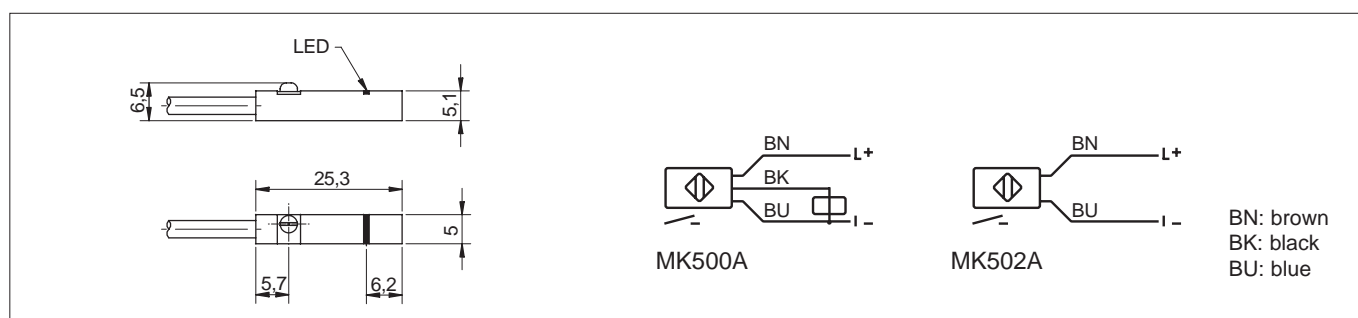


Standard executions				
Version	Circuit	ATEX	Code	Item
3 poles, with flying lead flexible cable 2 m.		II3D	071120	MK500A
2 poles, with flying lead flexible cable 6 m.		II1G	071108	MK502A



Series of magnetic switches conforming to
2014/34/EU Directive - ATEX

For fixing brackets see page 1.120.1
For coupling item / switches see page 1.120.5



Technical data		
Item	MK500A	MK502A
Electrical design	DC PNP	Connection to certified intrinsically safe circuits with the max. values $U = 15 \text{ V} / I = 50 \text{ mA} / P = 120 \text{ mW}$
Operating voltage	10 ÷ 30 V DC	8,2 V DC
Current consumption	≤10 mA	≥ 2,2 mA
Protection class	III	III
Reverse polarity protection	SI	-
Power-on delay time	< 30 ms	-
Output function	NO	NO
Voltage drop	< 2,5 V	-
Current rating	100 mA	-
Short-circuit protection	SI	-
Overload protection	SI	-
Switching frequency	10000 Hz	2000 Hz
Magnetic sensitivity	2,8 mT	2 mT
Travel speed	> 10 m/s	> 10 m/s
Hysteresis	< 1,5 mm	< 1 mm
Repeatability	< 0,2 mm	< 0,2 mm
Temperature	-25 °C ÷ +60 °C	-25 °C ÷ +70 °C
Protection	IP 65 / IP 67	IP 65 / IP 67
ATEX certification	II 3D Ex tc IIIC T125°C Dc X	II 1G Ex ia IIC T4 Ga II 1D Ex ia IIIC T135°C Da
Materials	PA - stainless steel	PA - stainless steel
LED	Yellow	Yellow
Cable	PVC / 2m; 3x0.14mm ²	PVC / 6m; 2x0.14mm ²
Weight	59 g	86 g