

Mounting Accessories for Cylinders

Mounting for ISO 1552 in aluminium

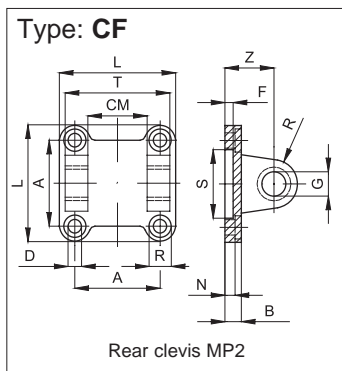


| Standard executions | | |
|---------------------------------------|--------|-----------|
| Version | Symbol | Type |
| Rear clevis | | CF..ALIS |
| Rear eye | | CM..ALIS |
| Narrow rear clevis | | CFS..ALIS |
| Rear 90° hinge CETOPRP107P | | ASV..ALIS |
| High foot | | P..ALIS |
| Narrow rear eye with bearing DIN 648K | | CMS..ALIS |
| Rear 90° hinge ISO 6431 | | AS..ALIS |



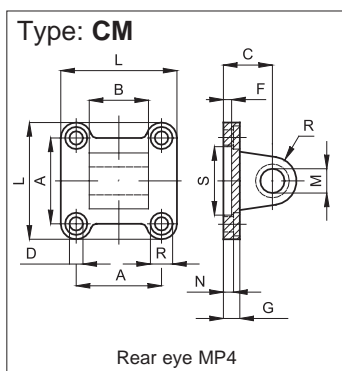
| Technical data | |
|----------------|--------------------|
| Material | Die-cast aluminium |
| Treatment | Sifting |

Note: The mounting screws are to be ordered separately.
For screws see page 1.101.1.

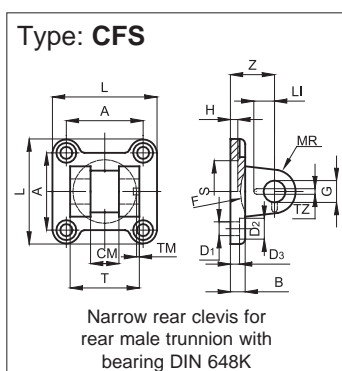


| Code | Item | For cyl. Ø mm | A | L | D | R | N | B | S | F | Z | G | M | CM | T | Weight (g) |
|--------|-----------|---------------|------|-----|-----|----|-----|----|----|----|----|----|----|-----|-----|------------|
| 040441 | CF32ALIS | 32 | 32,5 | 45 | 6,6 | 11 | 5,5 | 9 | 30 | 5 | 22 | 10 | 10 | 26 | 45 | 48 |
| 040442 | CF40ALIS | 40 | 38 | 52 | 6,6 | 11 | 5,5 | 9 | 35 | 5 | 25 | 12 | 12 | 28 | 52 | 75 |
| 040443 | CF50ALIS | 50 | 46,5 | 65 | 9 | 15 | 6,5 | 11 | 40 | 5 | 27 | 12 | 12 | 32 | 60 | 124 |
| 040444 | CF63ALIS | 63 | 56,5 | 75 | 9 | 15 | 6,5 | 11 | 45 | 5 | 32 | 16 | 16 | 40 | 70 | 192 |
| 040445 | CF80ALIS | 80 | 72 | 95 | 11 | 18 | 10 | 14 | 45 | 5 | 36 | 16 | 16 | 50 | 90 | 380 |
| 040446 | CF100ALIS | 100 | 89 | 115 | 11 | 18 | 10 | 14 | 55 | 5 | 41 | 20 | 20 | 60 | 110 | 620 |
| 040447 | CF125ALIS | 125 | 110 | 140 | 14 | 20 | 10 | 20 | 60 | 7 | 50 | 25 | 25 | 70 | 130 | 1180 |
| 040448 | CF160ALIS | 160 | 140 | 180 | 18 | 26 | 10 | 20 | 65 | 7 | 55 | 30 | 25 | 90 | 170 | 1780 |
| 040449 | CF200ALIS | 200 | 175 | 220 | 18 | 26 | 11 | 25 | 75 | 7 | 60 | 30 | 25 | 90 | 170 | 2900 |
| 040450 | CF250ALIS | 250 | 220 | 270 | 22 | 33 | 11 | 25 | 90 | 11 | 70 | 40 | 40 | 110 | 200 | 5800 |

The pin has to be ordered separately: for the pin see page 1.98.2 (SEC..AQIS)



| Code | Item | For cyl. Ø mm | A | L | D | R | N | G | S | F | C | M | T | B | Weight (g) | |
|--------|-----------|---------------|------|-----|-----|----|-----|----|----|----|----|----|----|-----|------------|------|
| 040501 | CM32ALIS | 32 | 32,5 | 45 | 6,6 | 11 | 5,5 | 9 | 30 | 5 | 22 | 10 | 10 | 26 | 54 | |
| 040502 | CM40ALIS | 40 | 38 | 52 | 6,6 | 11 | 5,5 | 9 | 35 | 5 | 25 | 12 | 12 | 28 | 76 | |
| 040503 | CM50ALIS | 50 | 46,5 | 65 | 9 | 15 | 6,5 | 11 | 40 | 5 | 27 | 12 | 12 | 32 | -0,2 | 124 |
| 040504 | CM63ALIS | 63 | 56,5 | 75 | 9 | 15 | 6,5 | 11 | 45 | 5 | 32 | 16 | 16 | 40 | -0,6 | 212 |
| 040505 | CM80ALIS | 80 | 72 | 95 | 11 | 18 | 10 | 14 | 45 | 5 | 36 | 16 | 16 | 50 | 420 | |
| 040506 | CM100ALIS | 100 | 89 | 115 | 11 | 18 | 10 | 14 | 55 | 5 | 41 | 20 | 20 | 60 | 666 | |
| 040507 | CM125ALIS | 125 | 110 | 140 | 14 | 20 | 10 | 20 | 60 | 7 | 50 | 25 | 25 | 70 | 1264 | |
| 040508 | CM160ALIS | 160 | 140 | 180 | 18 | 26 | 10 | 20 | 65 | 7 | 55 | 30 | 25 | 90 | -0,5 | 1846 |
| 040509 | CM200ALIS | 200 | 175 | 220 | 18 | 26 | 11 | 25 | 75 | 7 | 60 | 30 | 25 | 90 | -1,2 | 2950 |
| 040510 | CM250ALIS | 250 | 220 | 270 | 22 | 33 | 11 | 25 | 90 | 11 | 70 | 40 | 40 | 110 | 6200 | |



| Code | Item | For cyl. Ø mm | L | T | CM | A | Z | H | B | D ₃ | S | G | MR | D ₁ | D ₂ | TM | TZ | LI | F | Weight (g) |
|--------|------------|---------------|-----|-----|----|------|----|---|----|----------------|----|----|----|----------------|----------------|----|-----|------|----|------------|
| 040451 | CFS32ALIS | 32 | 45 | 34 | 14 | 32,5 | 22 | 5 | 9 | 5,5 | 30 | 10 | 10 | 6,6 | 11 | 3 | 3,3 | 11,5 | 17 | 42 |
| 040452 | CFS40ALIS | 40 | 52 | 40 | 16 | 38 | 25 | 5 | 9 | 5,5 | 35 | 12 | 12 | 6,6 | 11 | 4 | 4,3 | 12 | 20 | 70 |
| 040453 | CFS50ALIS | 50 | 65 | 45 | 21 | 46,5 | 27 | 5 | 11 | 6,5 | 40 | 16 | 14 | 9 | 15 | 4 | 4,3 | 14 | 22 | 112 |
| 040454 | CFS63ALIS | 63 | 75 | 51 | 21 | 56,5 | 32 | 5 | 11 | 6,5 | 45 | 16 | 18 | 9 | 15 | 4 | 4,3 | 14 | 25 | 194 |
| 040455 | CFS80ALIS | 80 | 95 | 65 | 25 | 72 | 36 | 5 | 14 | 10 | 45 | 20 | 20 | 11 | 18 | 4 | 4,3 | 16 | 30 | 382 |
| 040456 | CFS100ALIS | 100 | 115 | 75 | 25 | 89 | 41 | 5 | 14 | 10 | 55 | 20 | 22 | 11 | 18 | 4 | 6,3 | 16 | 32 | 610 |
| 040457 | CFS125ALIS | 125 | 140 | 97 | 37 | 110 | 50 | 7 | 20 | 10 | 60 | 30 | 25 | 14 | 20 | 6 | 6,3 | 24 | 42 | 1100 |
| 040458 | CFS160ALIS | 160 | 180 | 122 | 43 | 140 | 55 | 7 | 20 | 10 | 65 | 35 | 30 | 18 | 26 | 6 | 6,3 | 26,5 | 46 | 2030 |
| 040498 | CFS200ALIS | 200 | 220 | 122 | 43 | 175 | 60 | 7 | 25 | 11 | 75 | 35 | 30 | 18 | 26 | 6 | 6,3 | 26,5 | 49 | 3400 |

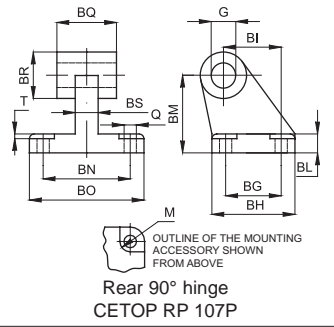
The pin has to be ordered separately: for the pin see page 1.98.3 (SEC..ARAQIS).

Mounting Accessories for Cylinders

Mounting for ISO 1552 in aluminium

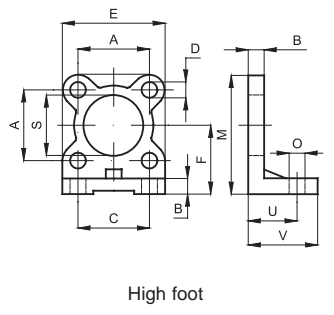


Type: ASV



| Code | Item | For cyl. Ø mm | Q | M | BG | BH | BI | BL | BM | BN | BO | BS | BR | G | T | BQ | Weight (g) |
|--------|------------|---------------|-----|----|----|-----|-----|----|-----|-----|-----|----|----|----|-----|----|------------|
| 040388 | ASV32ALIS | 32 | 6,6 | 11 | 18 | 31 | 21 | 8 | 32 | 38 | 51 | 10 | 20 | 10 | 1,6 | 26 | 56 |
| 040389 | ASV40ALIS | 40 | 6,6 | 11 | 22 | 35 | 24 | 10 | 36 | 41 | 54 | 15 | 22 | 12 | 1,6 | 28 | 139 |
| 040390 | ASV50ALIS | 50 | 9 | 15 | 30 | 45 | 33 | 12 | 45 | 50 | 65 | 16 | 26 | 12 | 1,6 | 32 | 142 |
| 040391 | ASV63ALIS | 63 | 9 | 15 | 35 | 50 | 37 | 14 | 50 | 52 | 67 | 16 | 30 | 16 | 1,6 | 40 | 200 |
| 040392 | ASV80ALIS | 80 | 11 | 18 | 40 | 60 | 47 | 14 | 63 | 66 | 86 | 20 | 30 | 16 | 2,5 | 50 | 312 |
| 040393 | ASV100ALIS | 100 | 11 | 18 | 50 | 70 | 55 | 17 | 71 | 76 | 96 | 20 | 38 | 20 | 2,5 | 60 | 656 |
| 040394 | ASV125ALIS | 125 | 14 | 20 | 60 | 90 | 70 | 20 | 90 | 94 | 124 | 30 | 45 | 25 | 3,2 | 70 | 826 |
| 040395 | ASV160ALIS | 160 | 14 | 20 | 88 | 126 | 97 | 25 | 115 | 118 | 156 | 36 | 63 | 30 | 4 | 90 | - |
| 040396 | ASV200ALIS | 200 | 18 | 26 | 90 | 130 | 105 | 30 | 135 | 122 | 162 | 40 | 63 | 30 | 4 | 90 | - |

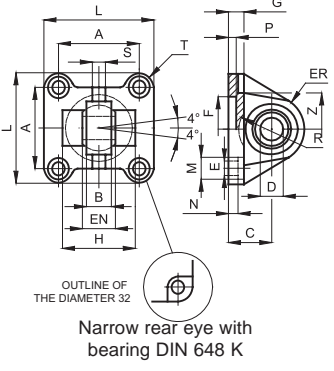
Type: P



| Code | Item | For cyl. Ø mm | A | B | C | D | E | F | M | O | S | U | V | Weight (g) |
|--------|----------|---------------|------|----|-----|----|-----|-----|-------|----|----|----|----|------------|
| 040141 | P32ALIS | 32 | 32,5 | 8 | 32 | 7 | 45 | 32 | 54,5 | 7 | 30 | 24 | 35 | 46 |
| 040142 | P40ALIS | 40 | 38 | 8 | 36 | 7 | 52 | 36 | 62 | 9 | 35 | 28 | 35 | 66 |
| 040143 | P50ALIS | 50 | 46,5 | 10 | 45 | 9 | 65 | 45 | 77,5 | 9 | 40 | 32 | 45 | 138 |
| 040144 | P63ALIS | 63 | 56,5 | 10 | 50 | 9 | 75 | 50 | 87,5 | 9 | 45 | 32 | 45 | 174 |
| 040145 | P80ALIS | 80 | 72 | 12 | 63 | 11 | 95 | 63 | 110,5 | 12 | 45 | 41 | 55 | 356 |
| 040146 | P100ALIS | 100 | 89 | 12 | 75 | 11 | 115 | 71 | 128 | 14 | 56 | 41 | 56 | 468 |
| 040147 | P125ALIS | 125 | 110 | 16 | 90 | 14 | 140 | 91 | 161 | 16 | 60 | 45 | 68 | 920 |
| 040148 | P160ALIS | 160 | 140 | 20 | 115 | 18 | 180 | 115 | 205 | 18 | 65 | 60 | 82 | 2300 |
| 040149 | P200ALIS | 200 | 175 | 20 | 135 | 18 | 220 | 135 | 245 | 22 | 75 | 70 | 90 | 3200 |

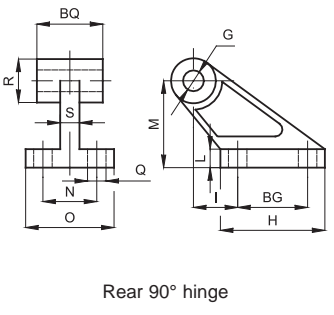
It is supplied singly.

Type: CMS



| Code | Item | For cyl. Ø mm | A | B | C | D | EN | ER | F | G | E | L | M | N | P | H | R | S | Z | T | Weight (g) |
|--------|------------|---------------|------|------|----|----|----|------|----|----|------|-----|----|-----|----|----|----|----|------|------|------------|
| 040151 | CMS32ALIS | 32 | 32,5 | 10,5 | 22 | 10 | 14 | 16 | 30 | 9 | 6,6 | 45 | 11 | 5,5 | 5 | - | - | 4 | 32,5 | 6,25 | 62 |
| 040152 | CMS40ALIS | 40 | 38 | 12 | 25 | 12 | 16 | 19 | 35 | 9 | 6,6 | 52 | 11 | 5,5 | 5 | - | - | 6 | 39 | 7 | 100 |
| 040153 | CMS50ALIS | 50 | 46,5 | 15 | 27 | 16 | 21 | 21 | 40 | 11 | 9 | 65 | 15 | 6,5 | 5 | 51 | 18 | 8 | 47 | 9,25 | 180 |
| 040154 | CMS63ALIS | 63 | 56,5 | 15 | 32 | 16 | 21 | 24 | 45 | 11 | 9 | 75 | 15 | 6,5 | 5 | - | - | 8 | 52 | 9,25 | 244 |
| 040155 | CMS80ALIS | 80 | 72 | 18 | 36 | 20 | 25 | 28,5 | 45 | 14 | 11 | 95 | 18 | 10 | 5 | 72 | 24 | 10 | 67 | 11,5 | 476 |
| 040156 | CMS100ALIS | 100 | 89 | 18 | 41 | 20 | 25 | 30 | 55 | 14 | 11 | 115 | 18 | 10 | 5 | - | - | 10 | 77 | 13 | 646 |
| 040157 | CMS125ALIS | 125 | 110 | 25 | 50 | 30 | 37 | 40 | 60 | 20 | 13,5 | 140 | 20 | 10 | 7 | - | - | 13 | 98 | 15 | 1410 |
| 040158 | CMS160ALIS | 160 | 140 | 28 | 55 | 35 | 43 | 45 | 65 | 20 | 18 | 180 | 26 | 10 | 7 | - | - | 14 | 130 | 20 | 2420 |
| 040159 | CMS200ALIS | 200 | 175 | 28 | 60 | 35 | 43 | 48 | 75 | 25 | 18 | 220 | 26 | 11 | 7 | - | - | 14 | 155 | 22,5 | 3840 |
| 040160 | CMS250ALIS | 250 | 220 | 33 | 70 | 40 | 49 | 52 | 90 | 25 | 22 | 270 | 33 | 11 | 11 | - | - | 19 | 205 | 25 | 5850 |

Type: AS



| Code | Item | For cyl. Ø mm | Q | BG | H | I | L | M | N | O | S | R | BQ | G | Weight (g) |
|--------|-----------|---------------|----|-----|-----|----|----|-----|----|-----|----|------|----|----|------------|
| 040361 | AS32ALIS | 32 | 7 | 20 | 37 | 18 | 8 | 32 | 25 | 41 | 9 | 19 | 26 | 10 | 54 |
| 040362 | AS40ALIS | 40 | 9 | 32 | 54 | 25 | 10 | 45 | 32 | 52 | 14 | 25,5 | 28 | 12 | 136 |
| 040363 | AS50ALIS | 50 | 9 | 32 | 54 | 25 | 10 | 45 | 32 | 52 | 14 | 25,5 | 32 | 12 | 140 |
| 040364 | AS63ALIS | 63 | 11 | 50 | 75 | 32 | 12 | 63 | 40 | 63 | 14 | 32 | 40 | 16 | 295 |
| 040365 | AS80ALIS | 80 | 11 | 50 | 75 | 32 | 12 | 63 | 40 | 63 | 14 | 32 | 50 | 16 | 313 |
| 040366 | AS100ALIS | 100 | 14 | 70 | 103 | 40 | 17 | 90 | 50 | 80 | 22 | 42 | 60 | 20 | 710 |
| 040367 | AS125ALIS | 125 | 14 | 70 | 103 | 40 | 17 | 90 | 50 | 80 | 22 | 46 | 70 | 25 | 820 |
| 040368 | AS160ALIS | 160 | 18 | 110 | 154 | 50 | 20 | 140 | 63 | 110 | 26 | 53,5 | 89 | 30 | 1974 |
| 040369 | AS200ALIS | 200 | 18 | 110 | 154 | 50 | 20 | 140 | 63 | 110 | 26 | 53,5 | 89 | 30 | 1974 |