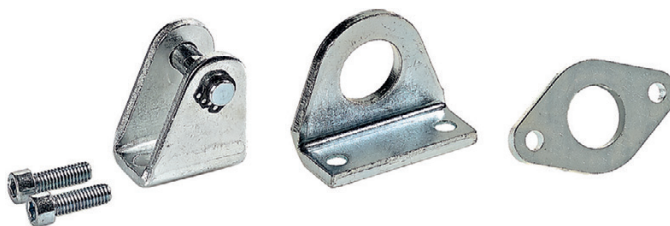


Mounting Accessories for Cylinders

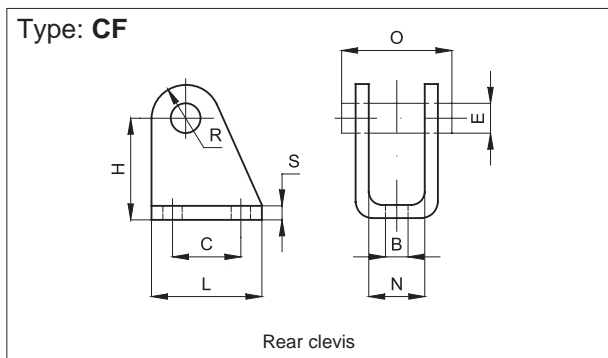
Mounting for ISO 6432 in steel



Standard executions		
Version	Symbol	Type
Rear clevis with pin		CF
High foot		P
Flange		F

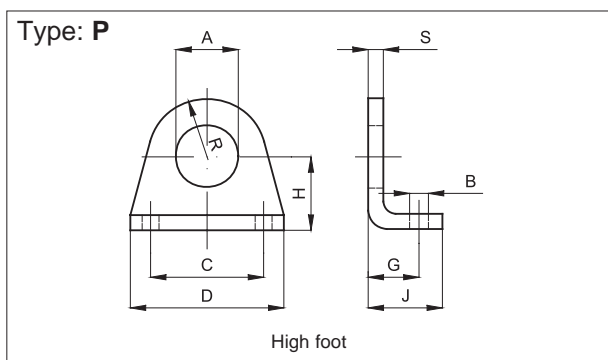


Technical data	
Material	Fe 37, sliced
Treatment	Black cataphoresis

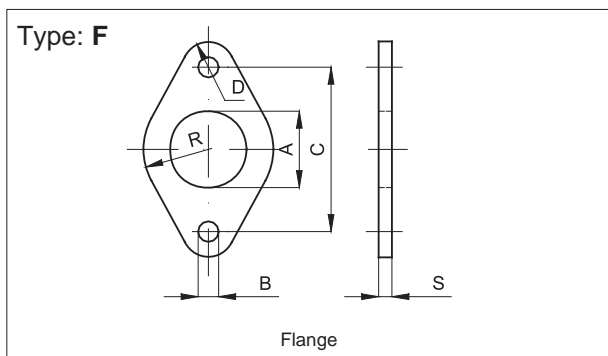


Code	Item	For cyl. Ø mm	B	E	C	H	L	N	O	R	S	Weight (g)
040041	CF8-10	8-10	4,5	4	12,5	24	20	8,1	17	5	2,5	20
040042	CF12-16	12-16	5,5	6	15	27	25	12,1	23	7	3	36
040043	CF20-25	20-25	6,6	8	20	30	32	16,1	29,5	10	4	78

Complete with a pin and 2 seegers in the standard version.



Code	Item	For cyl. Ø mm	A	B	C	D	G	H	J	R	S	Weight (g)
040021	P8-10	8-10	12	4,5	25	35	11	16	16	10	3	20
040022	P12-16	12-16	16	5,5	32	42	14	20	20	12,5	4	40
040023	P20-25	20-25	22	6,6	40	54	17	25	25	20	5	90



Code	Item	For cyl. Ø mm	A	B	C	R	D	S	Weight (g)
040001	F8-10	8-10	12	4,5	30	11	5	3	12
040002	F12-16	12-16	16	5,5	40	15	6	4	26
040003	F20-25	20-25	22	6,6	50	20	8	5	50