

# Mounting Accessories for Cylinders

## Bearings - Angle articulated couplings



| Standard executions |        |      |
|---------------------|--------|------|
| Version             | Symbol | Type |
| Angular             |        | RBL  |

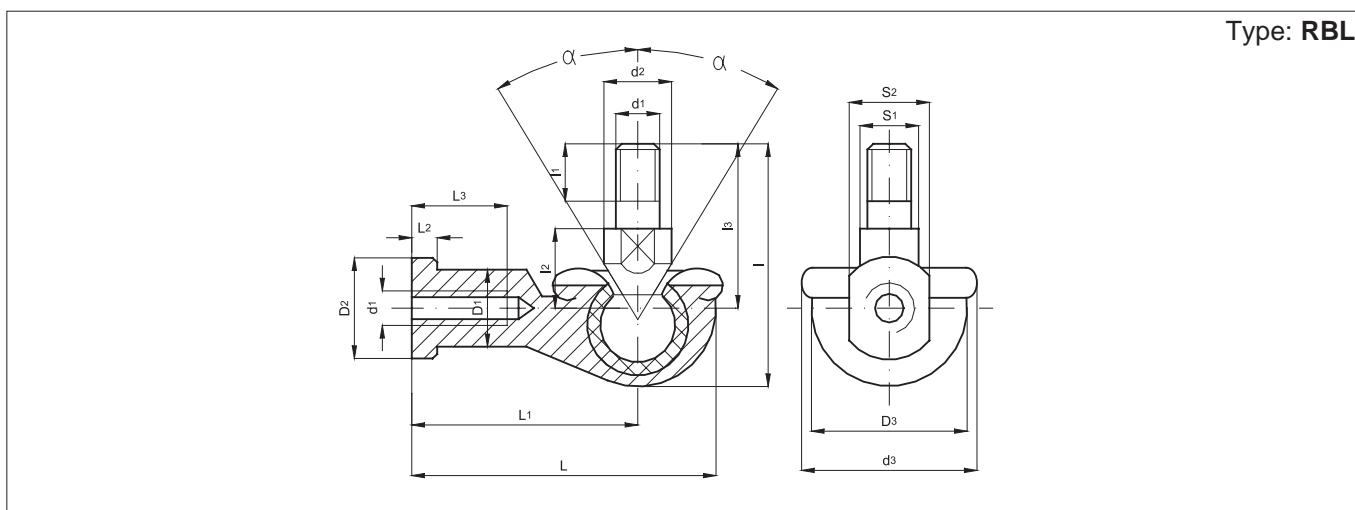


Articulated couplings with bearing and with pin perpendicular to the body.

They are mounted on the cylinder rod and allow to compensate the angular misalignment.

| Options                     | Suffix |
|-----------------------------|--------|
| Special versions on request | / S    |

| Technical data    |                                   |
|-------------------|-----------------------------------|
| Temperature range | -20 °C ÷ +80 °C                   |
| Materials         | Body: Special zinc alloy          |
|                   | Pin: Zinc plated steel            |
|                   | Seal: Neoprene                    |
|                   | Pre-lubricated spherical coupling |



| Code   | Item  | For cylin. Ø mm | d  | d1       | d2 min | d3 max | l max | l1 min | l2 max | l3 max | S1 | L max | L1 | L2 max | L3 min | D1 max | D2 max | D3 max | S2 | Load (KN) |       | α  | Weight (g) |
|--------|-------|-----------------|----|----------|--------|--------|-------|--------|--------|--------|----|-------|----|--------|--------|--------|--------|--------|----|-----------|-------|----|------------|
|        |       |                 |    |          |        |        |       |        |        |        |    |       |    |        |        |        |        |        |    | Dyn.      | Stat. |    |            |
| 041651 | RBL5  | *               | 5  | M5x0,8   | 9      | 20     | 30    | 8      | 10     | 21     | 7  | 36    | 27 | 4      | 14     | 9      | 12     | 18     | 10 | 2,7       | 9,2   | 25 | 26         |
| 041652 | RBL6  | 12-16           | 6  | M6x1     | 10     | 20     | 36    | 11     | 11     | 26     | 8  | 40,5  | 30 | 5      | 14     | 10     | 13     | 20     | 10 | 3,6       | 12    | 25 | 39         |
| 041653 | RBL8  | 20              | 8  | M8x1,25  | 12     | 24     | 43,5  | 12     | 14     | 31     | 10 | 49    | 36 | 5      | 17     | 12,5   | 16     | 25     | 13 | 5,7       | 19    | 25 | 68         |
| 041654 | RBL10 | 25-32           | 10 | M10x1,25 | 14     | 30     | 51,5  | 15     | 17     | 37     | 11 | 58    | 43 | 6,5    | 24     | 15     | 19     | 29     | 16 | 8,2       | 27    | 25 | 112        |
| 041655 | RBL12 | 40              | 12 | M12x1,25 | 19     | 32     | 57,5  | 17     | 19     | 42     | 16 | 66    | 50 | 6,5    | 25     | 17,5   | 22     | 31     | 18 | 11        | 37    | 25 | 164        |
| 041656 | RBL14 | *               | 14 | M14x1,5  | 19     | 38     | 73,5  | 22     | 21,5   | 56     | 16 | 75    | 57 | 8      | 26     | 20     | 25     | 35     | 21 | 14        | 48    | 25 | 254        |
| 041657 | RBL16 | 50-63           | 16 | M16x1,5  | 22     | 44     | 79,5  | 23     | 23,5   | 60     | 18 | 84    | 64 | 8      | 32     | 22     | 27     | 39     | 24 | 16        | 53    | 20 | 336        |
| 041658 | RBL18 | *               | 18 | M18x1,5  | 25     | 45     | 90    | 25     | 26,5   | 68     | 21 | 93    | 71 | 10     | 34     | 25     | 31     | 44     | 27 | 18        | 61    | 20 | 464        |
| 041659 | RBL20 | 80-100          | 20 | M20x1,5  | 29     | 50     | 90    | 25     | 27     | 68     | 24 | 99    | 77 | 10     | 35     | 27,5   | 34     | 44     | 30 | 18        | 61    | 20 | 538        |
| 041660 | RBL22 | *               | 22 | M22x1,5  | 29     | 52     | 95    | 26     | 28     | 70     | 24 | 109   | 84 | 12     | 41     | 30     | 37     | 50     | 30 | 22        | 75    | 16 | 713        |

\* For cylinders not conforming to standards.