

| Standard executions | | |
|---------------------|--------|--------|
| Version | Symbol | Type |
| With female thread | | RF..SE |

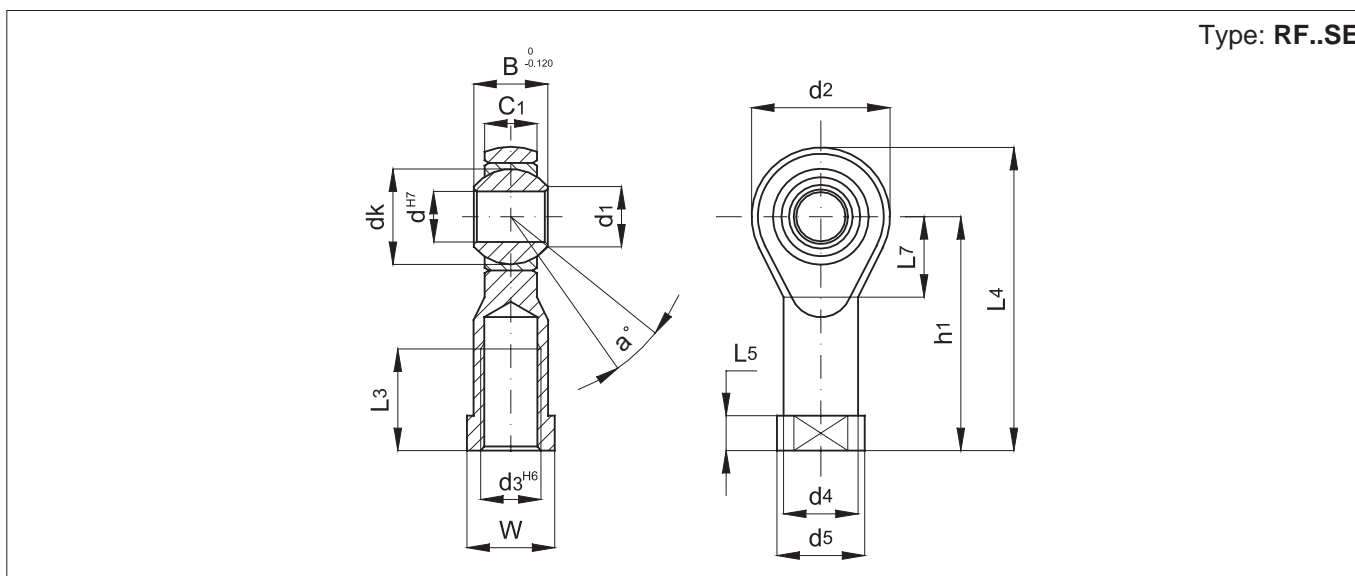


| Options | Suffix |
|--------------------------------|--------|
| With male thread | RM..SE |
| With female thread (big pitch) | G |
| With left thread | S |

The options can be combined (when this is possible).

Self-lubricating bearing heads servicing-free and conforming to DIN 648-K and ISO 8139 standards.
The bearing head is mounted on the cylinder rod.

| Technical data | |
|-------------------|---|
| Temperature range | -30 °C ÷ +150 °C |
| Materials | Body: Zinc / nickel plated steel Sphere: Hardened ground polished steel External ring: Self-lubricating brass/ PTFE |



| Code | Item | For cylin. ISO Ø mm | d | d ₃ | B | C ₁ | d ₁ | d ₂ | d ₄ | d ₅ | dk | h ₁ | L ₃ | L ₄ | L ₅ | L ₇ | W | Static load (daN) | α° | Weight (g) |
|--------|--------|---------------------|----|----------------|----|----------------|----------------|----------------|----------------|----------------|--------|----------------|----------------|----------------|----------------|----------------|----|-------------------|----|------------|
| 041551 | RF4SE | 8-10 | 5 | M4 | 8 | 6 | 7,7 | 18 | 9 | 11 | 11,112 | 27 | 10 | 36 | 4 | 10 | 9 | 600 | 13 | 19 |
| 041552 | RF6SE | 12-16 | 6 | M6 | 9 | 6,75 | 8,9 | 20 | 10 | 13 | 12,700 | 30 | 12 | 40 | 5 | 11 | 11 | 700 | 13 | 26 |
| 041553 | RF8SE | 20 | 8 | M8 | 12 | 9 | 10,4 | 24 | 12,50 | 16 | 15,875 | 36 | 16 | 48 | 5 | 13 | 14 | 1200 | 14 | 46 |
| 041554 | RF10SE | 25-32 | 10 | M10x1,25 | 14 | 10,50 | 12,9 | 28 | 15 | 19 | 19,050 | 43 | 20 | 57 | 6,5 | 15 | 17 | 1400 | 13 | 75 |
| 041555 | RF12SE | 40 | 12 | M12x1,25 | 16 | 12 | 15,4 | 32 | 17,50 | 22 | 22,225 | 50 | 22 | 66 | 6,5 | 17 | 19 | 1900 | 13 | 112 |
| 041557 | RF16SE | 50-63 | 16 | M16x1,5 | 21 | 15 | 19,3 | 42 | 22 | 27 | 28,575 | 64 | 28 | 85 | 8 | 23 | 22 | 4800 | 15 | 220 |
| 041559 | RF20SE | 80-100 | 20 | M20x1,5 | 25 | 18 | 24,3 | 50 | 27,50 | 34 | 34,925 | 77 | 33 | 102 | 10 | 27 | 30 | 5200 | 14 | 406 |
| 041562 | RF30SE | 125 | 30 | M27x2 | 37 | 25 | 34,8 | 70 | 40 | 50 | 50,800 | 110 | 51 | 145 | 15 | 36 | 41 | 10800 | 17 | 1120 |
| 041563 | RF35SE | 160-200 | 35 | M36x2 | 43 | 28 | 37,7 | 80 | 46 | 58 | 57,150 | 125 | 56 | 165 | 17 | 41 | 50 | 12400 | 19 | 1595 |
| 041571 | RF40SE | 250 | 40 | M42x2 | 49 | 33 | 45,2 | 91 | 53 | 65 | 66,670 | 142 | 60 | 187,5 | 19 | 45 | 55 | | 17 | |
| 041572 | RF50SE | 320 | 50 | M48x2 | 60 | 45 | 56,6 | 117 | 65 | 75 | 82,500 | 160 | 65 | 218,5 | 23 | 58 | 65 | | 12 | |

