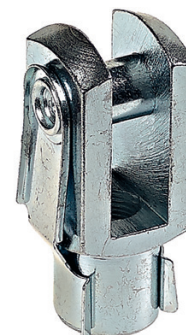


Mounting Accessories for Cylinders

Clevis DIN



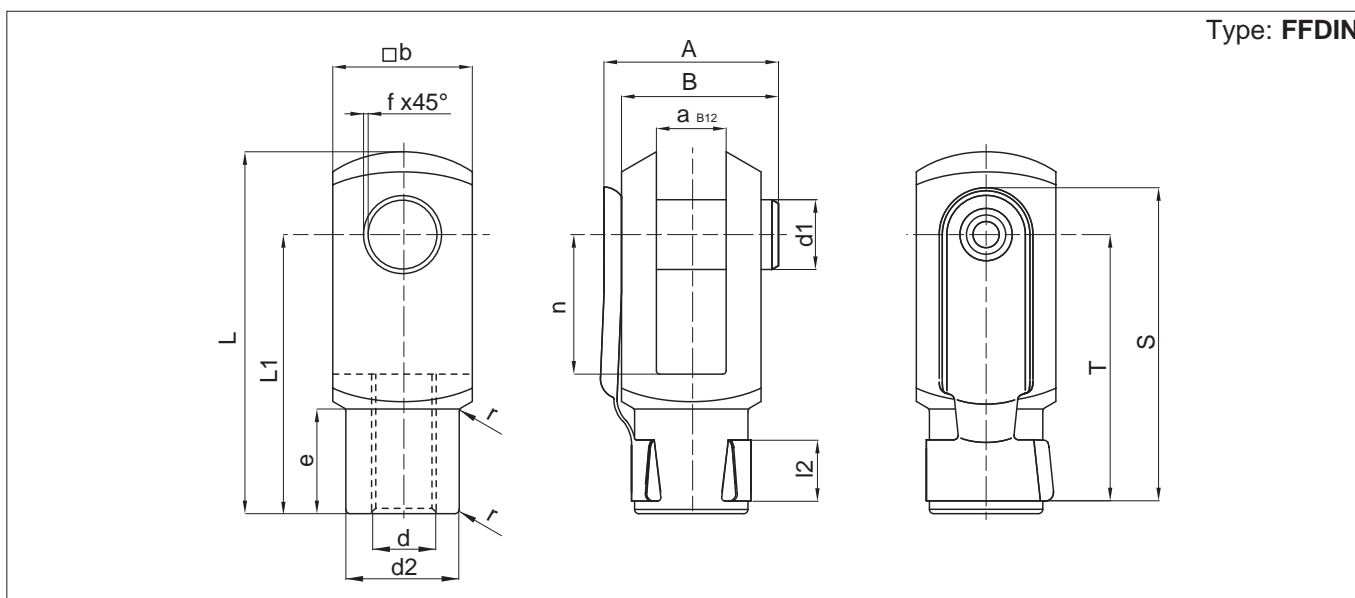
Standard executions		
Version	Symbol	Type
Female clevis		FFDIN



Clevis conforming to UNI 1676 - DIN 71752 standards. They are complete with clips in the standard version (the model M24X3 is normally provided with a pin and 2 seegers). The clevis is mounted on the cylinder rod and allows a swinging movement.

Options	Suffix
Special versions on request	/ S

Technical data	
Material	White zinc plated steel



Code	Item	d	a	A	B	b	d ₁	S	T	L ₂	d ₂	e	f	L	L ₁	n	r	Weight (g)
041001	4FFDIN	M4x0,7	4	11	9	8	4	19	15	5	8	6	0,5	21	16	8	0,5	7
041022	5FFDIN	M5x0,8	5	13,5	12	10	5	23	19	6	9	7,5	0,5	26	20	10	0,5	12
041002	6FFDIN	M6x1	6	16	14	12	6	28	23	6	10	9	0,5	31	24	12	0,5	19
041003	8FFDIN	M8x1,25	8	22	19	16	8	37	31	8	14	12	0,5	42	32	16	0,5	47
041025	10FFDIN	M10x1,5	10	26	23	20	10	46	39	10	18	15	0,5	52	40	20	0,5	89
041026	12FFDIN	M12x1,75	12	32	28	24	12	55	47	12	20	18	0,5	62	48	24	0,5	153
041027	14FFDIN	M14x2	14	-	-	27	14	-	-	-	24	22,5	1	72	56	28	1	224
041028	16FFDIN	M16x2	16	40	36	32	16	72	62	14	26	24	1	83	64	32	1	320
041030	20FFDIN	M20x2,5	20	48	44	40	20	88	72	16	34	30	1	105	80	40	1	680
041067	24FFDIN	M24x3	25	-	-	50	25	-	-	-	42	36	1	132	100	50	1	1330