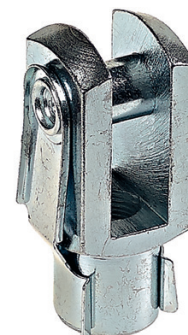


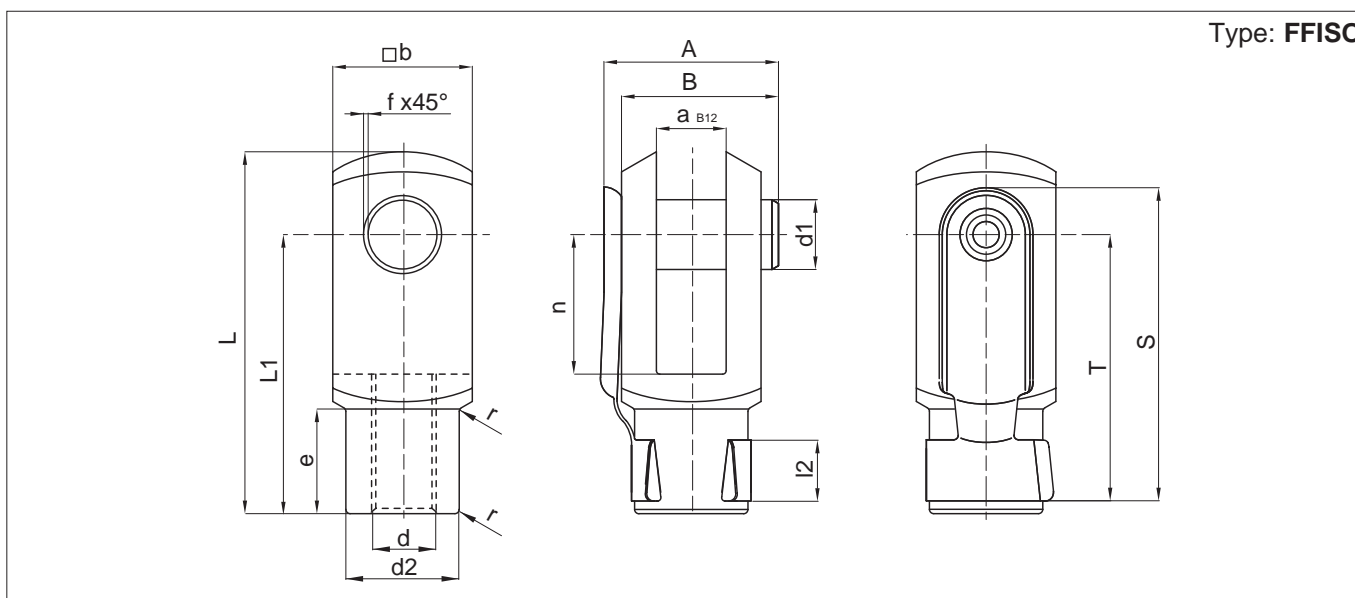
Standard executions		
Version	Symbol	Type
Female clevis		FFISO



Clevis conforming to ISO 8140 standards. They are complete with clips in the standard version (the models M27X2 and M36X2 are normally provided with a pin and 2 seegers). The clevis is mounted on the cylinder rod and allows a swinging movement.

Options	Suffix
With a pin and 2 seegers (M27 and M36 already standard)	P
Special versions on request	/ S

Technical data	
Material	White zinc plated steel



Code	Item	For cylinder Ø mm	d	a	A	S	B	b	d ₁	T	L ₂	d ₂	e	f	L	L ₁	n	r	Weight (g)
041001	4FFISO	8-10	M4x0,7	4	11	19	9	8	4	15	5	8	6	0,5	21	16	8	0,5	7
041002	6FFISO	12-16	M6x1	6	16	28	14	12	6	23	6	10	9	0,5	31	24	12	0,5	19
041003	8FFISO	20	M8x1,25	8	22	37	19	16	8	31	8	14	12	0,5	42	32	16	0,5	47
041004	10FFISO	25-32	M10x1,25	10	26	46	23	20	10	39	10	18	15	0,5	52	40	20	0,5	89
041005	12FFISO	40	M12x1,25	12	32	55	28	24	12	47	12	20	18	0,5	62	48	24	0,5	153
041006	16FFISO	50-63	M16x1,5	16	40	72	36	32	16	62	14	26	24	1	83	64	32	1	320
041007	20FFISO	80-100	M20x1,5	20	48	88	44	40	20	72	16	34	30	1	105	80	40	1	680
041008	24FFISO	*	M24x2	25	-	-	-	50	25	-	-	42	36	1	132	100	50	1	1330
041009	27FFISO	125	M27x2	30	-	-	-	55	30	-	-	48	38	1	148	110	54	1	1810
041010	36FFISO	160-200	M36x2	35	-	-	-	70	35	-	-	60	40	1	188	144	72	1	3890
041068	42FFISO	250	M42x2	40	104,3	-	-	85	40	-	-	70	63,5	1	232	168	84	5	5300
041069	48FFISO	320	M48x2	50	117,3	-	-	96	50	-	-	82	73	1	265	192	96	5	7900

* For cylinders not conforming to standards.

