

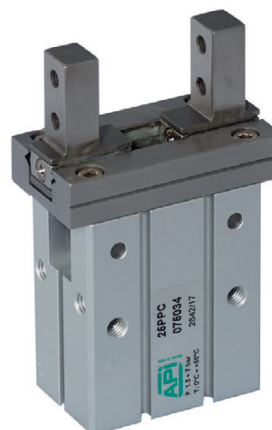
Guided Parallel Hand Grips

Bores from 16 to 32 mm

Double acting



Standard executions		
Version	Code	Item
Bore 16 mm	075030	16PPC
Bore 20 mm	075031	20PPC
Bore 25 mm	075034	25PPC
Bore 32 mm	075035	32PPC



Series of pneumatic guided parallel hand grips available in 4 different sizes.

They are standard magnetic with grooves on the body allowing the direct mounting of magnetic reed switches.

For magnetic reed switch type ASC see from page 1.110.1.
For mounting accessories see from page 1.80.60.

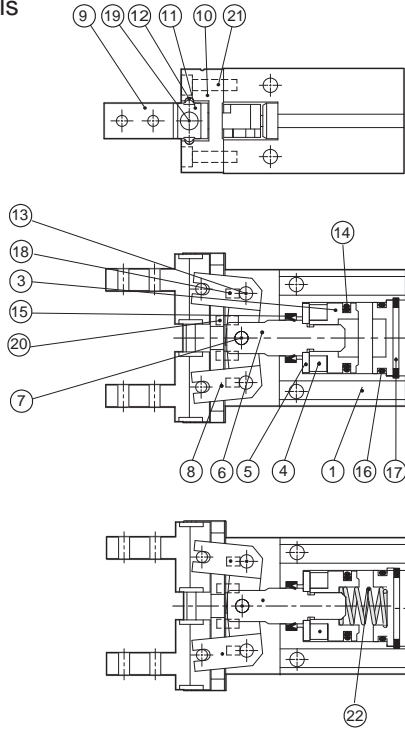
How to order : 20PPC

20	PPC
Bore	Type

Technical data		16PPC	20PPC	25PPC	32PPB
Type					
Fluid	Compressed filtered air with or without lubrication. Lubrication, if started, must be continued.				
Pressure	1,5 ÷ 7 bar				
Temperature range	0 °C ÷ +80° C				
Max. operation frequency	180 cycle / min.				
Lubrication	Piston:	with or without lubrication			
	Levers:	lubrication is required on moving parts			
Holding moments M* (Ncm)	Closing*	18	35	60	85
	Opening*	24	47	75	100
Maximum length of gripping point L (mm)		40	60	70	85
Weight (g)		200	600	800	1300
Stroke of open/close (mm)		6	8	14	16
Ports	M5				

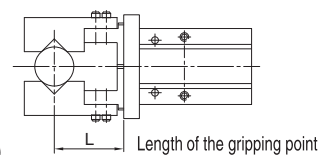
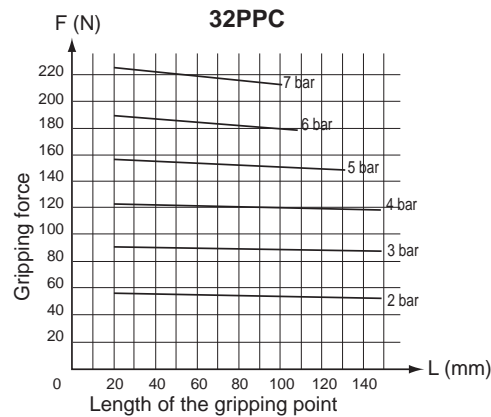
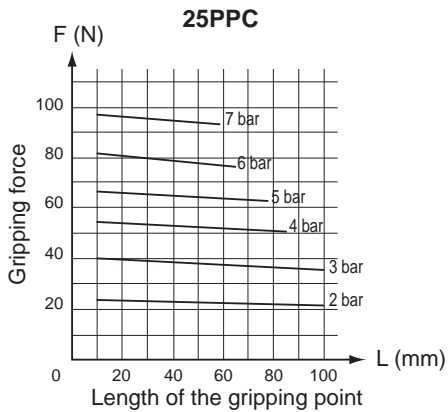
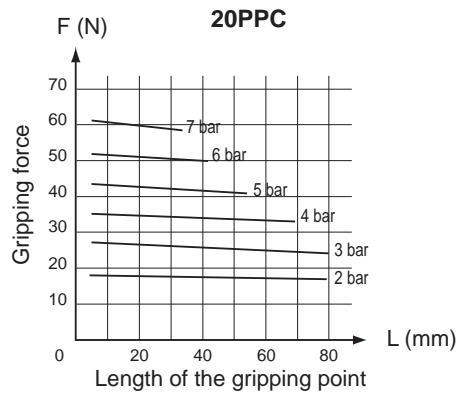
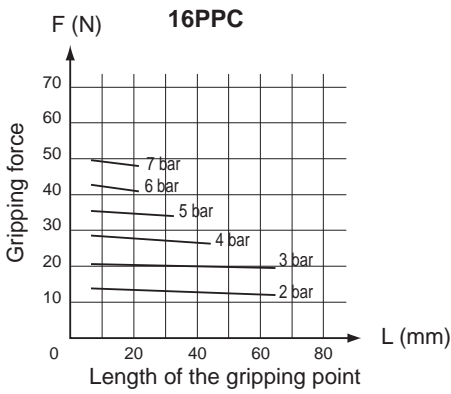
* P = 5 bar

Materials

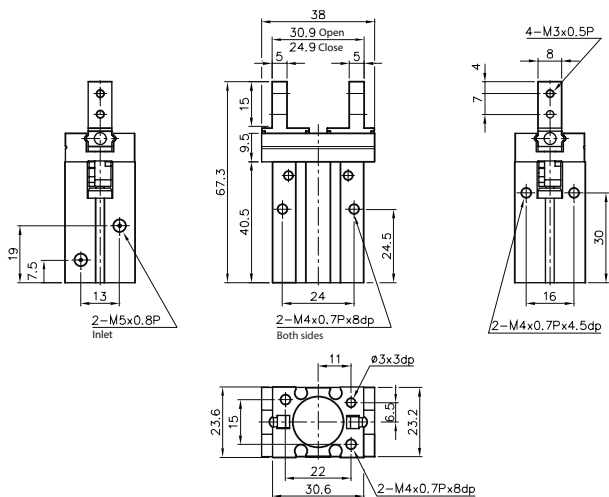


N.	Component	Material
1	Body	Aluminium alloy
2	End cover	Aluminium alloy
3	Piston	Copper
4	Magnet	Plastic
5	Magnet cover	Copper
6	Piston rod	Stainless steel
7	Rod pin	Steel
8	Action lever	Stainless steel
9	Finger	Stainless steel
10	Finger base	Stainless steel
11	Ball stopper	Stainless steel
12	Ball	Steel
13	Action lever pin	Stainless steel
14	Piston packing	NBR
15	Rod packing	NBR
16	End cover O-ring	NBR
17	Snapping	Alloy steel
18	Screw	Alloy steel
19	Screw	Alloy steel
20	Pin	Steel
21	Mounting screw	Alloy steel
22	Spring	Stainless steel

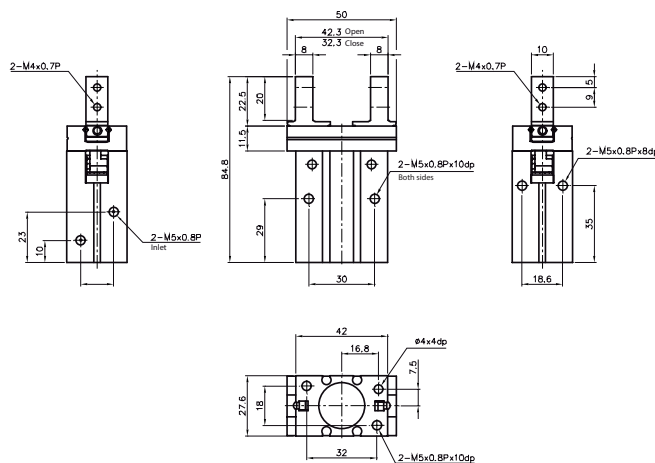
Gripping forces



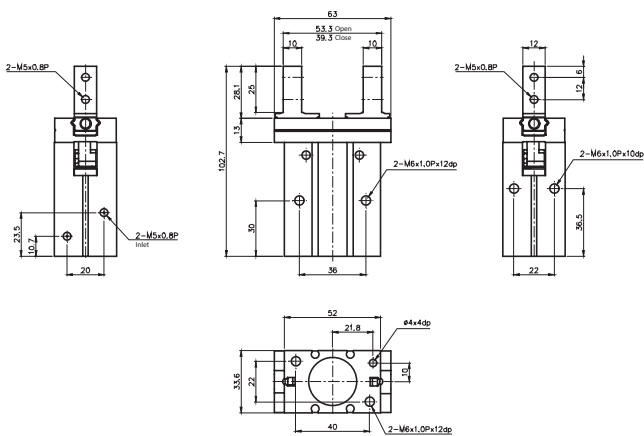
Type: 16PPC



Type: 20PPC



Type: 25PPC



Type: 32PPC

