

Static piston-rod brake for Cylinders ISO 15552

Bores from 32 to 125 mm



Standard executions			
Version	Symbol	Code	Item
Normally closed		042001	ABS 032CRD
		042002	ABS 040CRD
		042003	ABS 050CRD
		042004	ABS 063CRD
		042005	ABS 080CRD
		042006	ABS 100CRD
		042007	ABS 125CRD
Normally open		042011	ABS 032ARD
		042012	ABS 040ARD
		042013	ABS 050ARD
		042014	ABS 063ARD
		042015	ABS 080ARD
		042016	ABS 100ARD
		042017	ABS 125ARD



Series of static locking-rod units for cylinders ISO15552. The piston-rod brakes series ABS can be supplied normally closed or normally open.

The main applications are the locking of the piston-rod in the event of a pressure lack or failure or in all those cases where a stop for a machining or handling is necessary.

The clamping forces are suitable for a working pressure of the cylinder equal to 8 bar and act in both directions.

For the application of the piston-rod brake ABS to a cylinder ISO15552 is necessary to order the cylinder with the rod predisposed for this (the extended one in hardened steel, option B, see page 1.5.1).

How to order: ABS050CRD

ABS	050	CRD
Type	Bores	Option

For standard items, codes and dimensions see tables page 1.75.5.

Seal kits not available.

Technical data							
Bores (mm)	32	40	50	63	80	100	125
Fluid	Compressed filtered air with or without lubrication						
Pressure	4 ÷ 8 bar						
Locking force (N)	650	1100	1600	2500	4000	6300	8700
Temperature range	-10 °C ÷ +80° C						
Materials	Body:	Anodised aluminium					
	Jaws:	Brass					
	Seals:	Nitrile rubber (NBR)					
	Locking cylinder:	Anodised aluminium					

WARNING: working of piston rod-brake type ABS is static: before clamping is necessary to arrest the rod, is not usable for reducing the speed of the rod while moving.

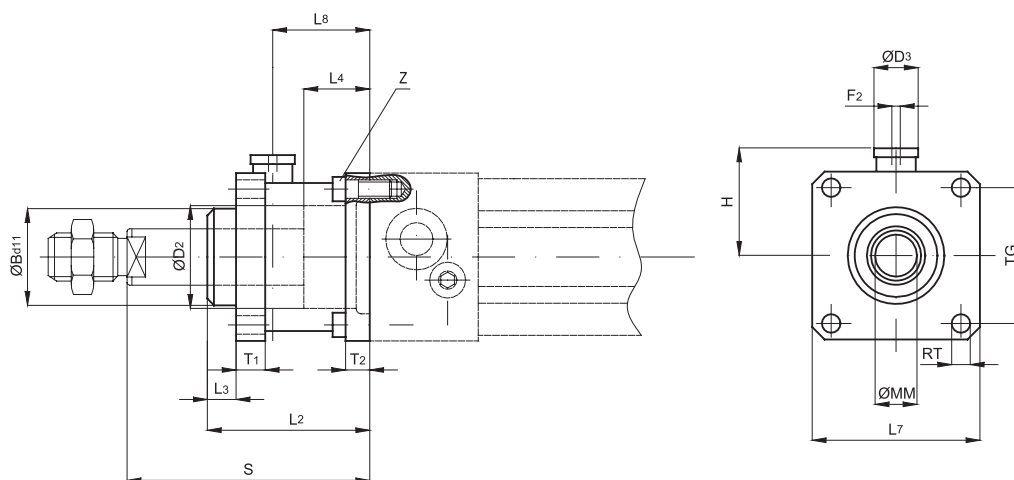
The locking-rod unit must only be unlocked when the pressures of both chambers of the cylinder are balanced, or the rod of the cylinder could move with non-uniform motion, causing problems to the application.

Static piston-rod brake for Cylinders ISO 15552

Bores from 32 to 125 mm



Type: **ABS**



For cylinder Ø mm	B Ø	D ₂ Ø	D ₃ Ø	F ₂	H	L ₂	L ₃	L ₄	L ₇	L ₈ Ø	MM	RT	T ₁	T ₂	TG	Z	S
32	30	30,5	20	M5	25,5	58	10	20,5	45	31,5	12	M6	13	8	32,5	M6x20	74
40	35	35	24	1/8"	30	65	10	22,5	50	36	16	M6	13	8	38	M6x20	85
50	40	40	30	1/8"	36	82	12	29,5	60	45,5	20	M8	16	15	46,5	M8x30	107
63	45	45	38	1/8"	40	82	12	29,5	70	49,5	20	M8	16	15	56,5	M8x30	107
80	45	45	48	1/8"	50	110	20	35	90	61	25	M10	20	18	72	M10x35	136
100	55	55	48	1/8"	58	115	23	39	105	65	25	M10	20	18	89	M10x35	143
125	60	60	65	1/8"	80	167	45	51	140	86,5	32	M12	30	22	110	M12x40	187